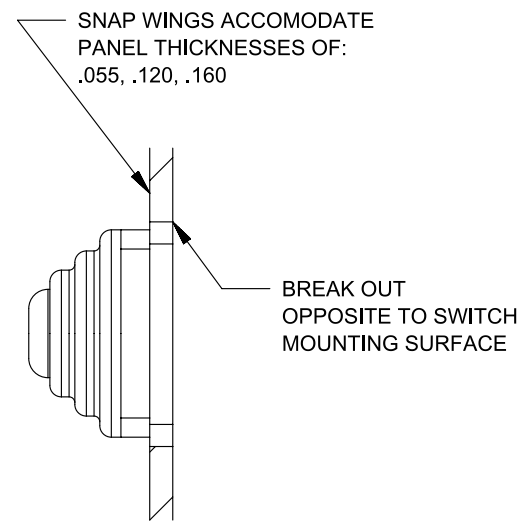
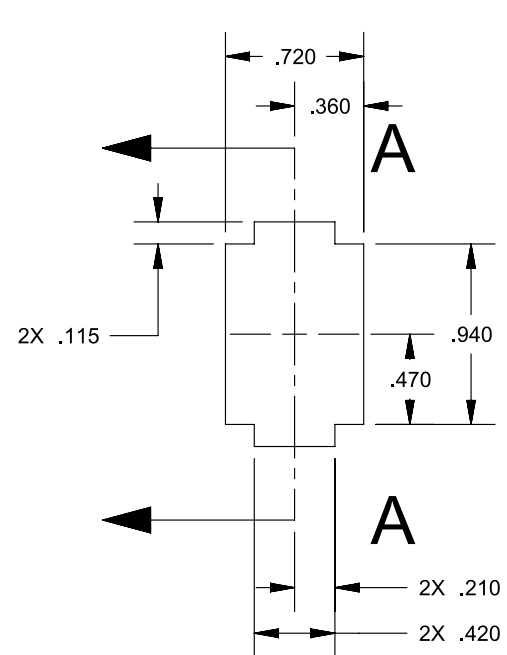
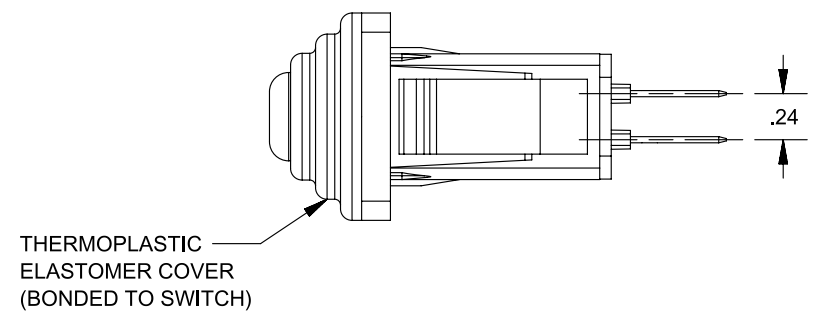
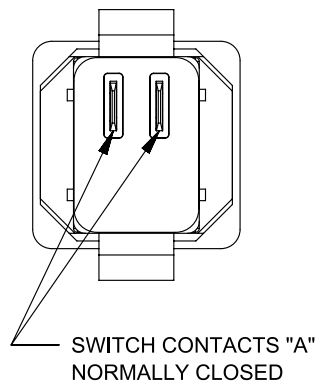
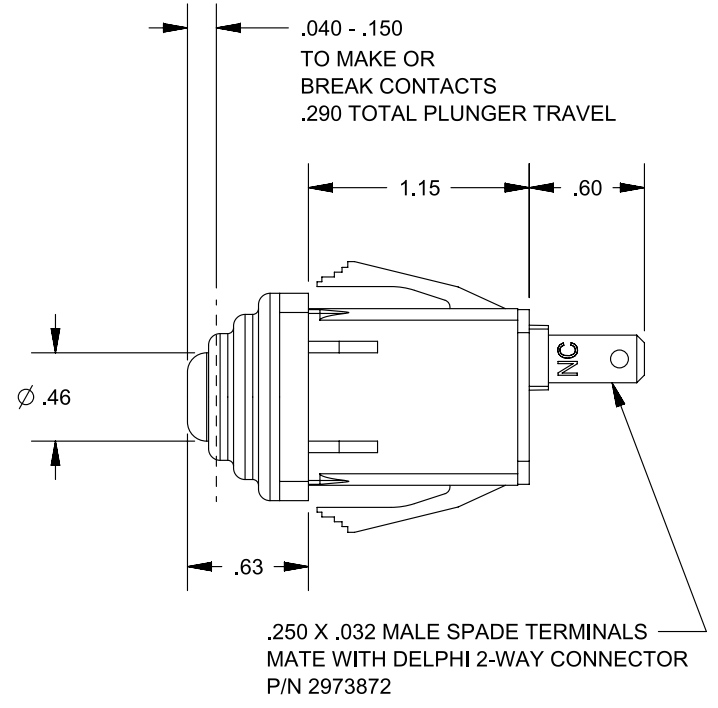
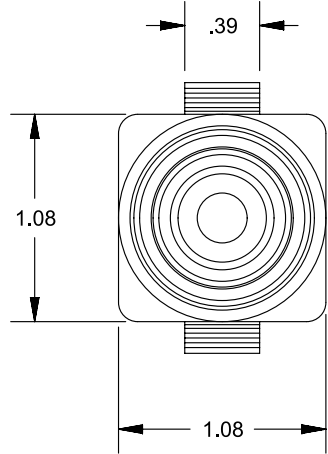
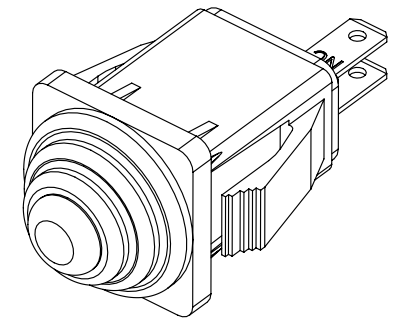


REVISIONS			
REV.	DESCRIPTION	DATE	INIT
0	INITIAL RELEASE	03/05/15	IDK



RECOMMENDED MOUNTING HOLE



- NOTES
- 1) PLASTIC PARTS ARE POLYPROPYLENE
TERMINALS ARE NICKEL PLATED BRASS
 - 2) DATE CODE INDICATING YEAR, MONTH, AND DAY OF MONTH MANUFACTURED
MARKED ON HOUSING
 - 3) INTEGRITY OF WELD AND SWITCH FUNCTIONALITY TESTING AFTER ASSEMBLY
 - 4) INTERPRET DRAWING IN ACCORDANCE WITH ASME Y14.5-2009

PROPRIETARY & CONFIDENTIAL THE INFORMATION CONTAINED IN THIS DRAWING IS THE SOLE PROPERTY OF DELTA SYSTEMS. ANY REPRODUCTION IN PART OR AS A WHOLE WITHOUT THE WRITTEN PERMISSION OF DELTA SYSTEMS IS PROHIBITED. DELTA SYSTEMS INC. DOES NOT ASSUME ANY LIABILITY ARISING OUT OF THE MISAPPLICATION OF ANY PRODUCT	UNLESS OTHERWISE SPECIFIED DIMENSIONS ARE IN INCHES TOLERANCES ARE: .X± .1 .XX± .02 .XXX± .005 X°± 1°	DRAWN ikirbawy CHECKED bspeight APPROVED ikirbawy MATERIAL SEE NOTES	DATE 04-Mar-2015 DATE 05-Mar-2015 DATE 05-Mar-2015	DELTA SYSTEMS 1734 FROST ROAD STREETSBORO, OHIO 44241 330-626-2811 WWW.DELTASYSTEMSINC.COM			
	COMPUTER GENERATED DRAWING - NO MANUAL CHANGES ALLOWED	GRAY SWITCH, BLACK COVER DO NOT SCALE DRAWING	PROJECTED VIEWS ARE 3RD ANGLE 		TITLE Plunger Switch, NC, Snap-In, Cover		
	SIZE B	DWG. NO. 6711-31_APP	STATUS DS4_Design		SCALE NTS	SHEET 1 OF 1	PROJECT NO. REVISION 0

