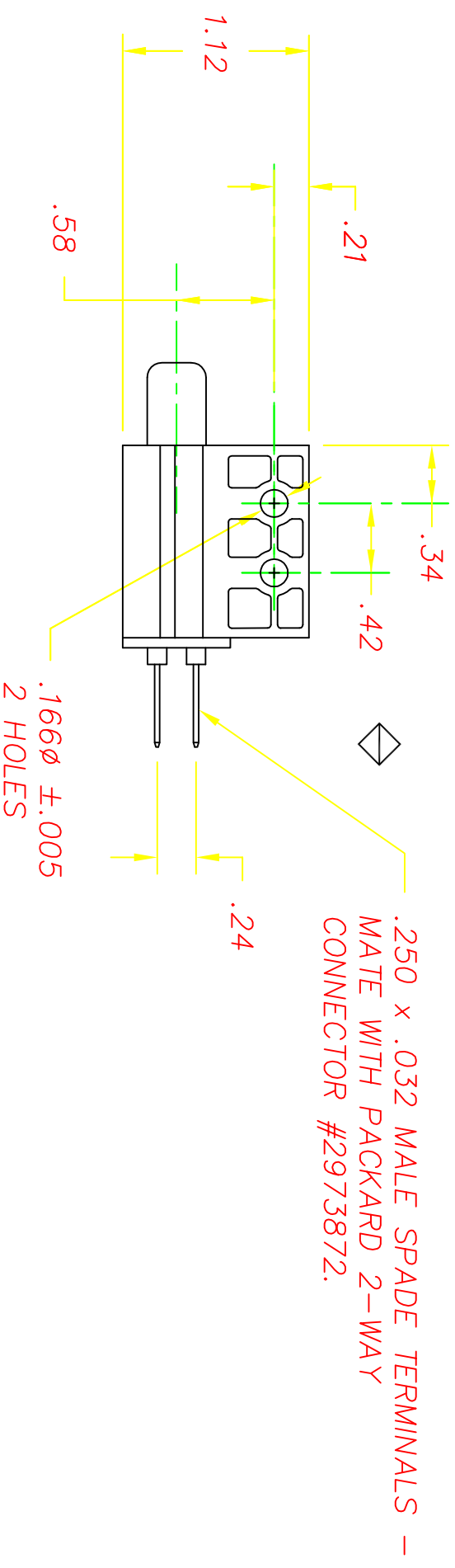
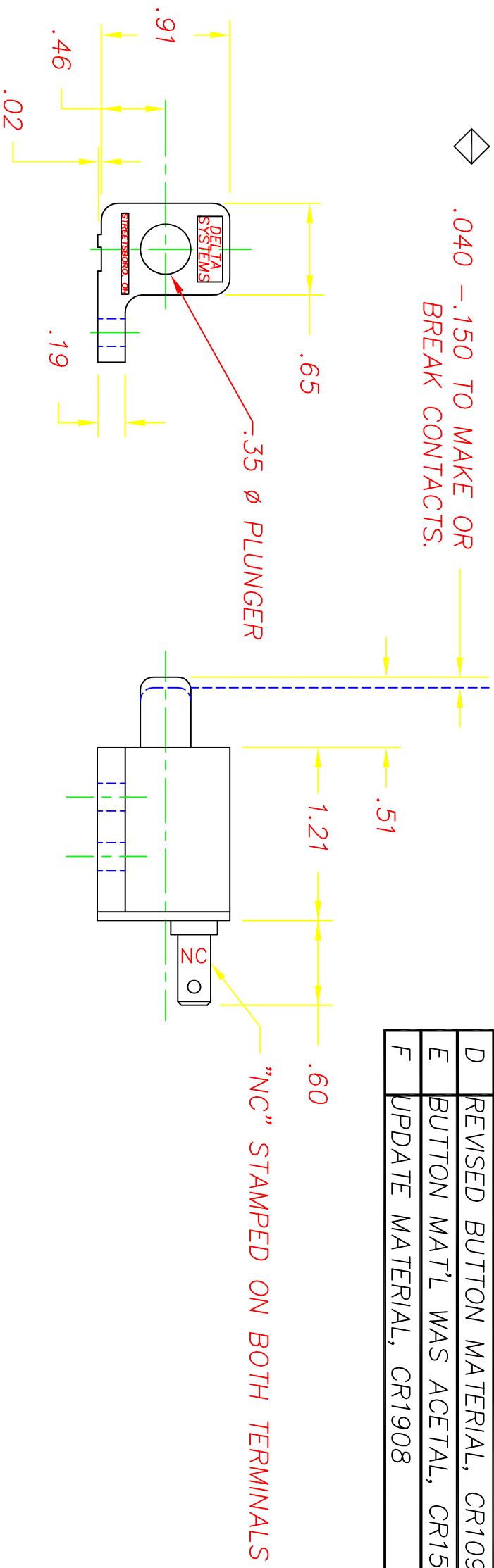


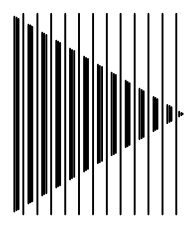
REVISIONS

A	ADDED NOTE 5	02/05/95	TW
B	REVISED HOUSING, CR 817	7/12/96	TW
C	ADDED NAME TO HOUSING, CR1017	08/19/97	TW
D	REVISED BUTTON MATERIAL, CR1098	02/18/98	JH
E	BUTTON MAT'L WAS ACETAL, CR1517	07/01/03	MA
F	UPDATE MATERIAL, CR1908	07/21/10	FRB



NOTES:

- 1-TERMINALS ARE NICKEL PLATED. "NC" STAMPED ON ALL NORMALLY CLOSED TERMINALS.
- 2-PLASTIC PARTS ARE POLYPROPYLENE
- 3-DATE CODE INDICATING YEAR, MONTH, AND DAY OF MONTH MANUFACTURED STAMPED ON HOUSING.
- 4-INTEGRITY OF WELD & SWITCH FUNCTIONALITY TESTED AFTER ASSEMBLY.
- 5-THIS PRODUCT COVERED BY THE FOLLOWING U.S. PATENT; 4,812,604. OTHER PATENTS APPLIED FOR.

 <p>DELTA SYSTEMS INC. STREETSBORO, OHIO 44241</p>		<p>N.C. PLUNGER SWITCH</p>	
DRAWN GAS	DATE 07/08/91	CHECKED AJH	DATE 07/09/91
<p>UNLESS OTHERWISE SPECIFIED DIMENSIONS ARE IN INCHES TOLERANCES ARE: .XX\pm .02 .XXX\pm .005 ANGE 1$^\circ$</p>			
<p>COMPUTER GENERATED DRAWING - NO MANUAL CHANGES ALLOWED</p>		<p>DO NOT SCALE DRAWING</p>	
<p>DELTA SYSTEMS, INC. DOES NOT ASSUME ANY LIABILITY ARISING OUT OF THE MISAPPLICATION OF ANY PRODUCT</p>		<p>MATERIAL SEE NOTE 2</p>	
<p>FINISH BLACK</p>		<p>SIZE B</p>	
<p>SCALE FULL</p>		<p>DWG. NO. 6400-31</p>	
<p>PROJECT NO. EX311</p>		<p>REV F</p>	