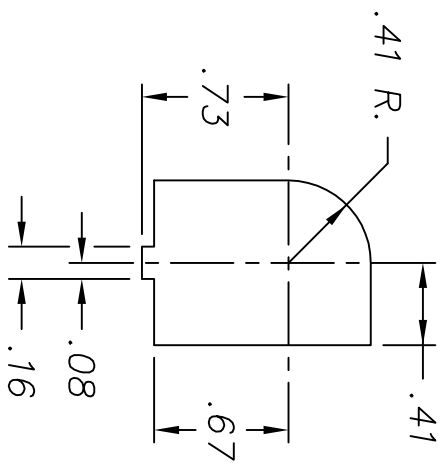
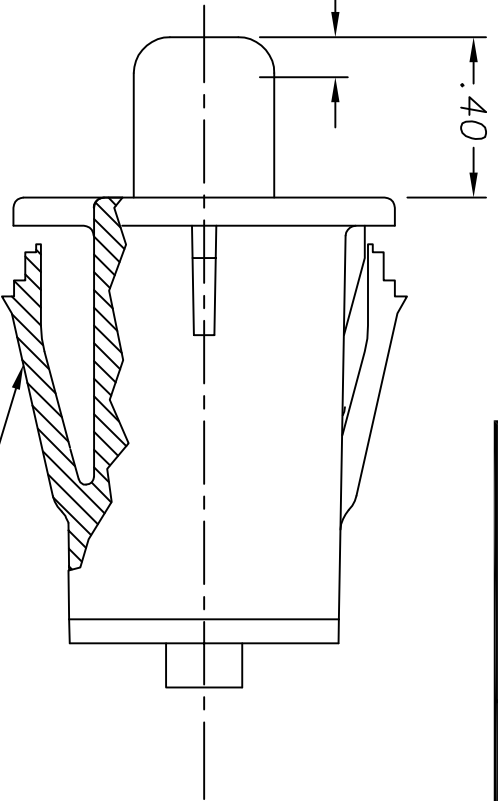


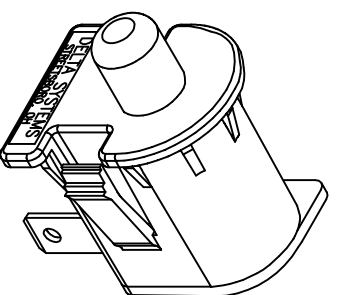
REVISIONS			
~	INITIAL RELEASE, CR1784	02/04/09	MEL
A	MARKING WAS 12VDC 1A, CN2873	06/01/11	CAK



.040 - .150 MOTION TO OPEN CONTACTS

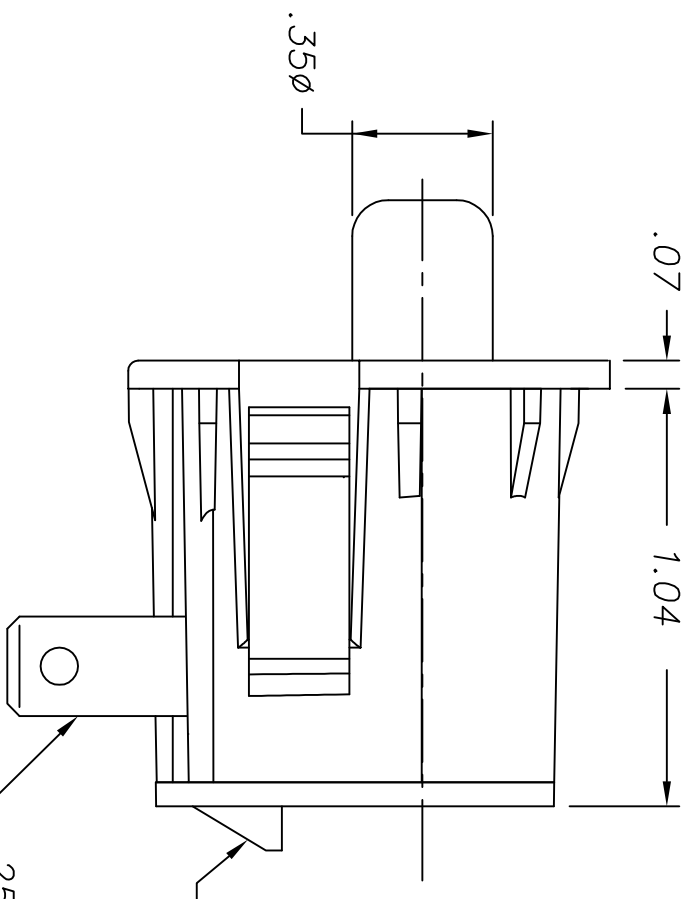
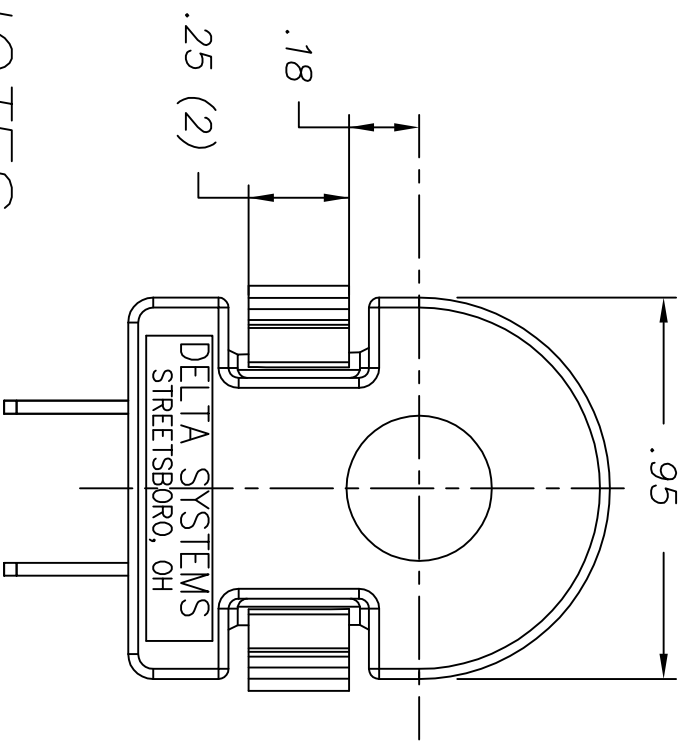


SNAP WINGS TO ACCOMMODATE PANEL THICKNESSES OF .055, .115, AND .140, INCLUDING PAINT AND DECALS.



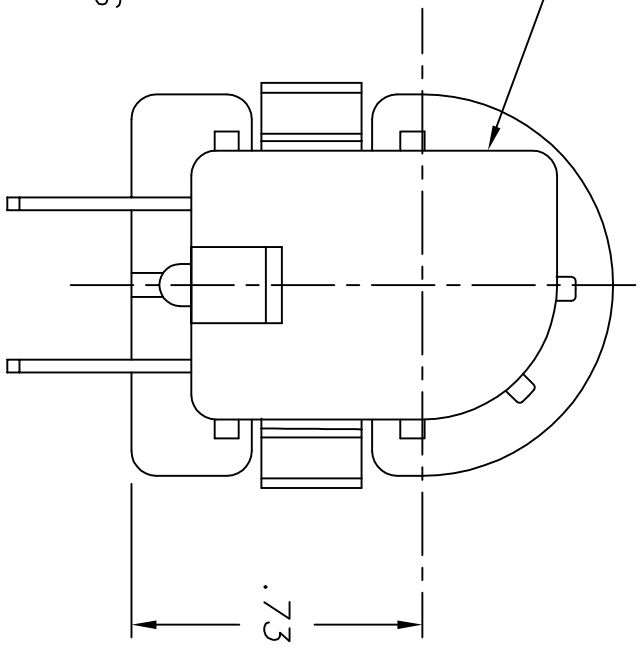
ISOMETRIC VIEW

SUGGESTED MOUNTING HOLE
(SCALE: FULL)



TERMINAL PATTERN & LOCKING TAB TO MATE WITH EITHER DSI 96525 SERIES OR 96526 SERIES CONNECTORS
 .25 x .032 MALE BLADE TERMINALS (2)

SWITCH BODY MARKED WITH THE FOLLOWING:
 6440-77FR
 28VDC 140mA
 "RU" MARK



NOTES:

- 1-PLASTIC PARTS ARE FLAME RETARDANT, UV STABLE THERMOPLASTIC. TERMINALS ARE NICKEL-PLATED BRASS. INTERNAL CONTACT IS BERYLLIUM COPPER.
- 2-PART NO. AND DATE CODE INDICATING YEAR, MONTH, AND DAY OF MONTH MANUFACTURED STAMPED ON HOUSING.
- 3-INTEGRITY OF WELD & SWITCH FUNCTIONALITY TESTED AFTER ASSEMBLY.
- 4-THIS PRODUCT COVERED BY THE FOLLOWING U.S. PATENT: 4,812,604. OTHER PATENTS APPLIED FOR.
- 5-MECHANICAL LIFE: 300,000 CYCLES.
- 6-OPERATING TEMPERATURE: -20°F TO 150°F.
- 7-CONNECTION EFFORT: UP TO 10 LBS. PER TERMINAL
- 8-THIS SWITCH IS RECOGNIZED UNDER CATEGORY UL 1054 (SWITCHES, SPECIAL USE - COMPONENT, FILE# WOYR2.E319443).

DELTA SYSTEMS, INC. DOES NOT ASSUME ANY LIABILITY ARISING OUT OF THE MISAPPLICATION OF ANY PRODUCT	
UNLESS OTHERWISE SPECIFIED DIMENSIONS ARE IN INCHES TOLERANCES ARE: .XXX# .02 .XXX# .005 ANG# 1°	
DRAWN MA	DATE 02/04/09
CHECKED MEL	DATE 04/23/09
MATERIAL NOTE 1	
FINISH WHITE	

DELTA SYSTEMS INC.
 STRETSBORO, OHIO 44241

SNAP-MOUNT SWITCH
 NORMALLY OPEN, SPECIAL USE

SIZE B DWG. NO. 6440-77FR PROJECT NO. EX0071 REV A

SCALE 2X SHEET 1 OF 1