

8

7

6

5

4

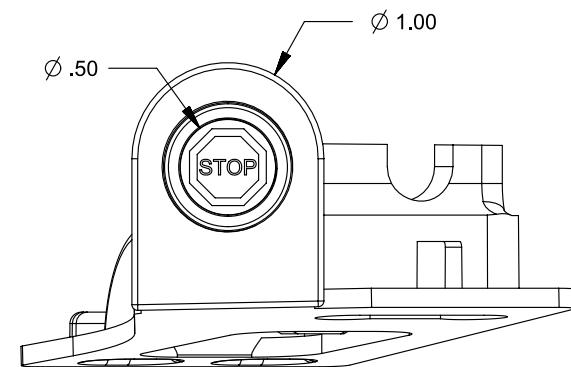
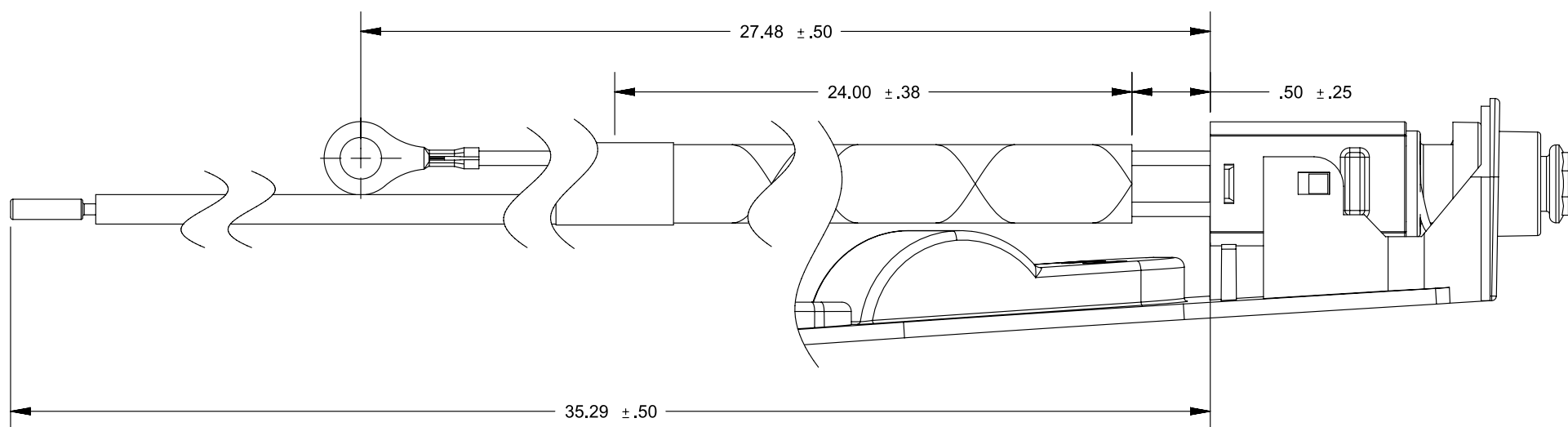
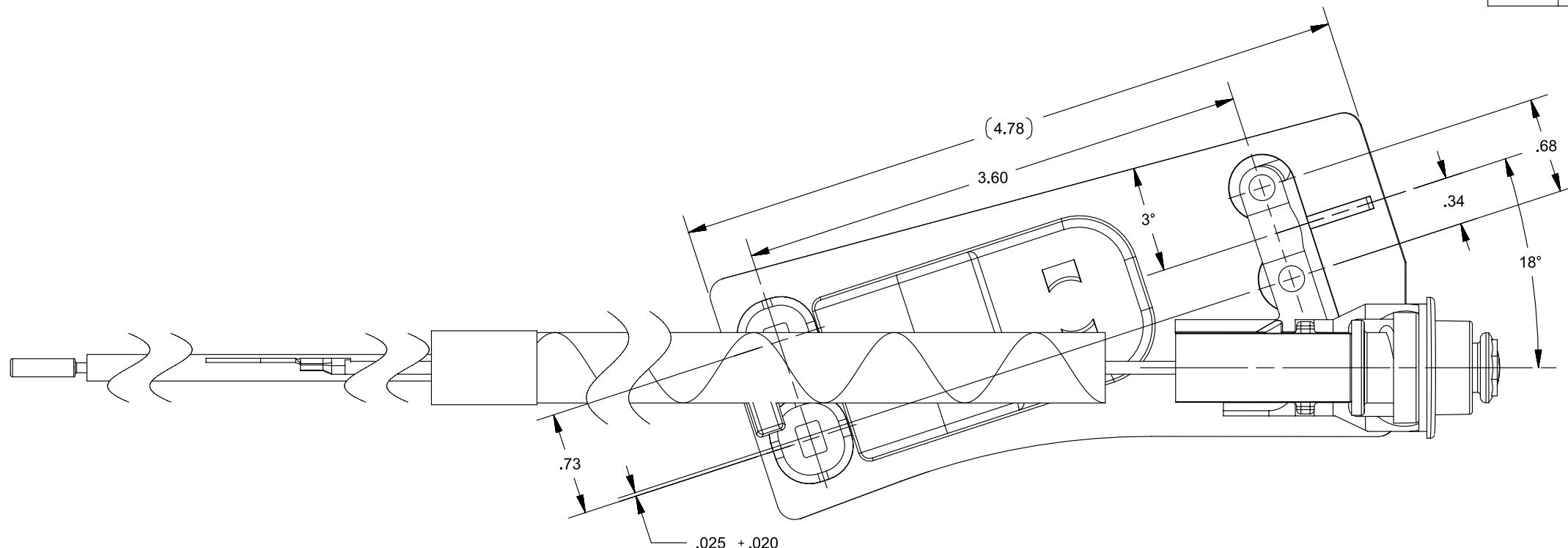
3

2

1

### REVISIONS

REV.	DESCRIPTION	DATE	INIT
0	INITIAL RELEASE	06/04/15	PJC



#### NOTES

- 1) SWITCH HOUSING AND PLUNGER ARE CONSTRUCTED OF UV STABLE, FUEL RESISTANT THERMOPLASTIC COLOR: BLACK
- 2) BRACKET BUTTON IS NYLON 11-COLOR RED
- 3) LANYARD CLIP SOLD SEPARATELY
- 4) INTERPRET THIS DRAWING IN ACCORDANCE WITH ASME Y14.5-2009

PROPRIETARY & CONFIDENTIAL  
THE INFORMATION CONTAINED IN  
THIS DRAWING IS THE SOLE  
PROPERTY OF DELTA SYSTEMS.  
ANY REPRODUCTION IN PART OR  
AS A WHOLE WITHOUT THE  
WRITTEN PERMISSION OF DELTA  
SYSTEMS IS PROHIBITED.

DELTA SYSTEMS INC. DOES NOT  
ASSUME ANY LIABILITY ARISING  
OUT OF THE MISAPPLICATION OF  
ANY PRODUCT

UNLESS OTHERWISE  
SPECIFIED DIMENSIONS  
ARE IN INCHES  
TOLERANCES ARE:

.X± .1  
.XX± .02  
.XXX± .005  
X°± 1°

COMPUTER GENERATED  
DRAWING - NO MANUAL  
CHANGES ALLOWED

DRAWN

pcolonna

CHECKED

mschwenning

APPROVED

ikirbawy

MATERIAL

AS NOTED

FINISH

AS NOTED

DO NOT SCALE DRAWING

DATE

04-Jun-2015

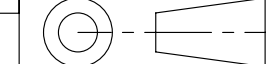
DATE

01-Jul-2015

DATE

01-Jul-2015

PROJECTED VIEWS  
ARE 3RD ANGLE



STATUS

DS4\_Design



## DELTA SYSTEMS

1734 FROST ROAD  
STREETSBORO, OHIO 44241  
330-626-2811  
WWW.DELTASYSTEMSINC.COM

TITLE  
Idle Stop Switch Application

SIZE

B

SCALE

NTS

DWG. NO.

7071-06\_APP

SHEET

1 OF 1

PROJECT NO.

EX0257

REVISION

0

8

7

6

5

4

3

2

1