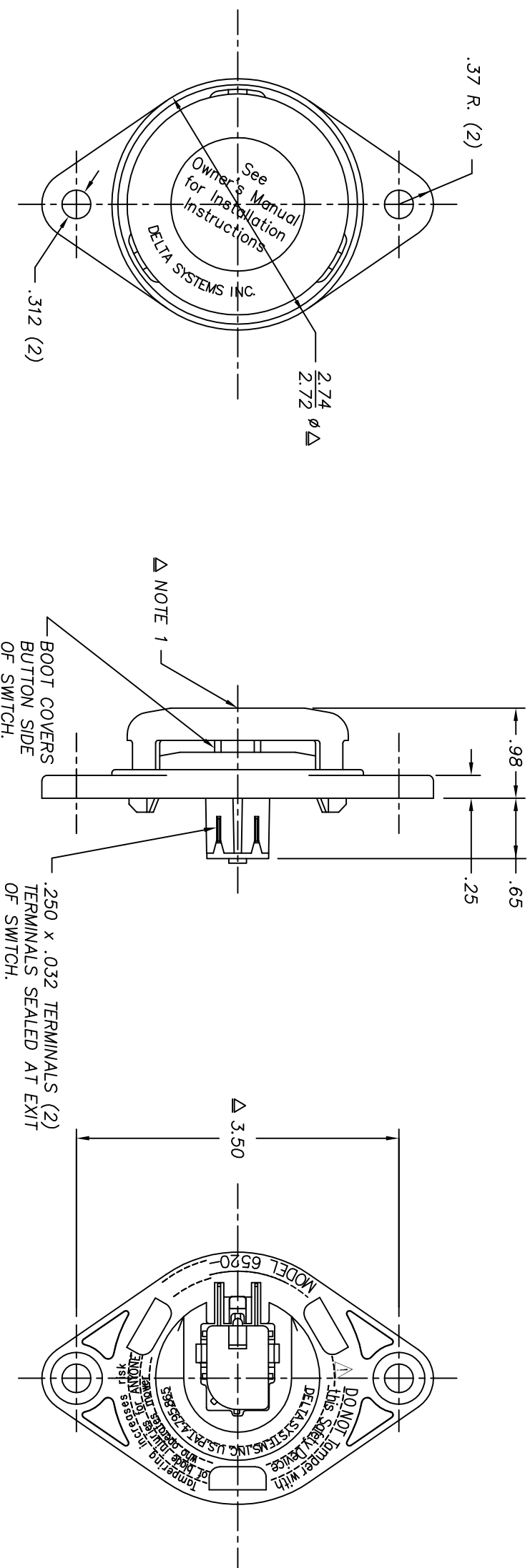


REVISIONS			
~	RELEASED FROM EX, CR 874	12/10/96	JH
A	FRAME DESIGN CHANGE, CR1251	08/16/00	JH
B	REM. ORANGE IDENTIFIER ON SWITCH	12/04/08	MA
C	UPDATE MATERIAL CR1908	07/21/10	ERB



△ DESIGNATES CRITICAL CHARACTERISTICS

NOTES:

- △ 1-.040-.150 MOTION TO CLOSE CONTACTS.
- 2-PLASTIC PARTS - POLYPROPYLENE
TERMINALS - NICKEL PLATED BRASS.
CONTACT - BERYLLIUM COPPER.
BOOT - THERMOPLASTIC ELASTOMER.
- 3-DATE CODE INDICATING YEAR, MONTH, AND DAY OF MONTH MANUFACTURED STAMPED ON HOUSING.
- △ 4-INTEGRITY OF WELD & SWITCH FUNCTIONALITY TESTED AFTER ASSEMBLY.
- 5-DELTA IS RESPONSIBLE FOR COMPLIANCE TO THIS SPECIFICATION. THE FUNCTION AND ADEQUACY OF THE SAFETY "SYSTEM" IN WHICH THIS COMPONENT IS USED IS THE RESPONSIBILITY OF THOSE THAT DESIGN AND BUILD THE SYSTEM (INCLUDING BUT NOT LIMITED TO THE SEAT DESIGN, SWITCH LOCATION, FOAM DENSITY AND DESIGN).
- 6-THIS PRODUCT IS COVERED BY ONE OR MORE OF THE FOLLOWING U.S. PATENTS: 4,812,604; 4,795,865. OTHER PATENTS APPLIED FOR.

DELTA SYSTEMS, INC. DOES NOT ASSUME ANY LIABILITY ARISING OUT OF THE MISAPPLICATION OF ANY PRODUCT		UNLESS OTHERWISE SPECIFIED DIMENSIONS ARE IN INCHES TOLERANCES ARE .02 .XXX2 .005 ANGE 1°	
COMPUTER GENERATED DRAWING - NO MANUAL CHANGES ALLOWED		DO NOT SCALE DRAWING	
DRAWN LMW 10/18/96	DATE 10/18/96	TITLE SEAT SWITCH NORMALLY OPEN	
CHECKED TW 10/18/96	DATE 10/18/96	MATERIAL NOTE 2	
FINISH BLACK		SCALE FULL	
		PROJECT NO. EX311	
SYSTEMS INC. STREETSBORO, OHIO 44241		REV C	