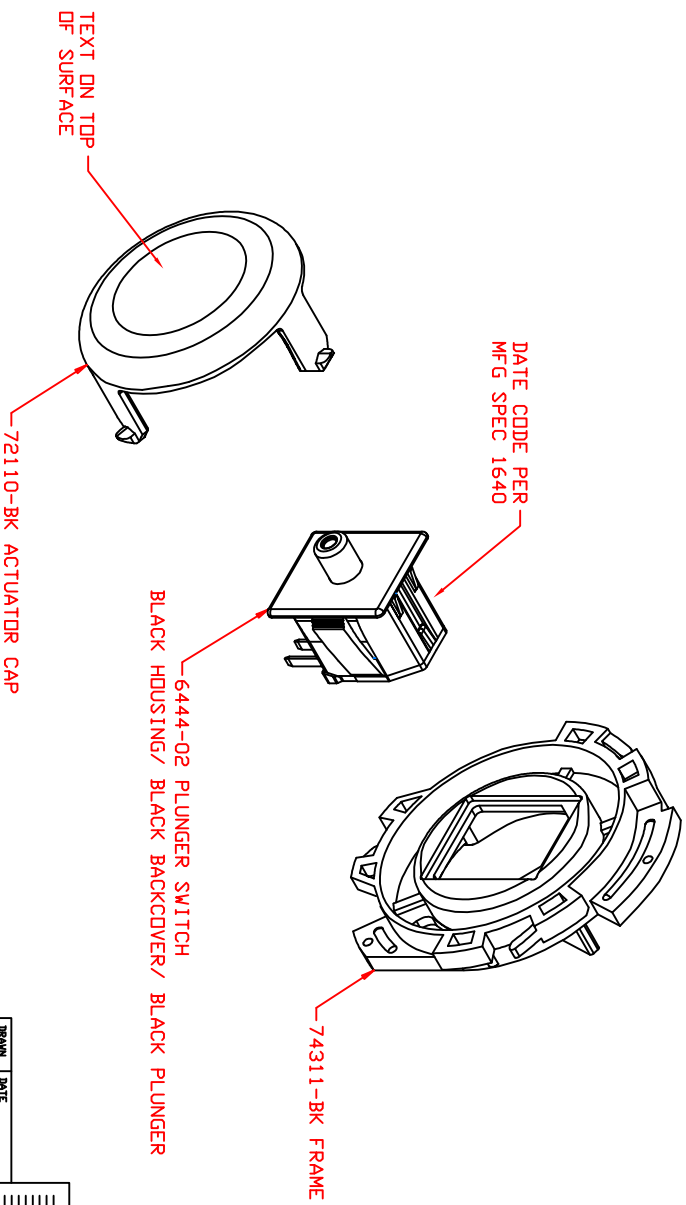
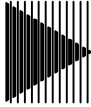


REVISIONS			
~	INITIAL RELEASE, CR1338	10/11/99	JH
A	UPDATED MOD. BACK COVER, CR1742	08/27/09	MA
B	ADDED SWITCH DESC, CN2689	01/24/11	CAK



UNLESS OTHERWISE SPECIFIED DIMENSIONS ARE IN INCHES TOLERANCES ARE:		.XXX	
COMPUTER GENERATED DRAWING - NO MANUAL CHANGES ALLOWED			
DID NOT SCALE DRAWING			
DATE	06/29/99	CHECKED	JH
DATE	10/8/99	CHECKED	JH
MATERIAL POLYPROPYLENE			
FINISH			
 <b>DELTA</b> SYSTEMS INC. STRETSBORO, OHIO 44241		TITLE <b>NO/NO QUICK MOUNT          SEAT SWITCH ASSEMBLY</b>	
SCALE	<b>FULL</b>	PRODUCT NO.	<b>EX360</b>
SIZE	<b>B</b>	TRG. NO.	<b>6544-02</b>
REV	<b>B</b>	REV	<b>B</b>