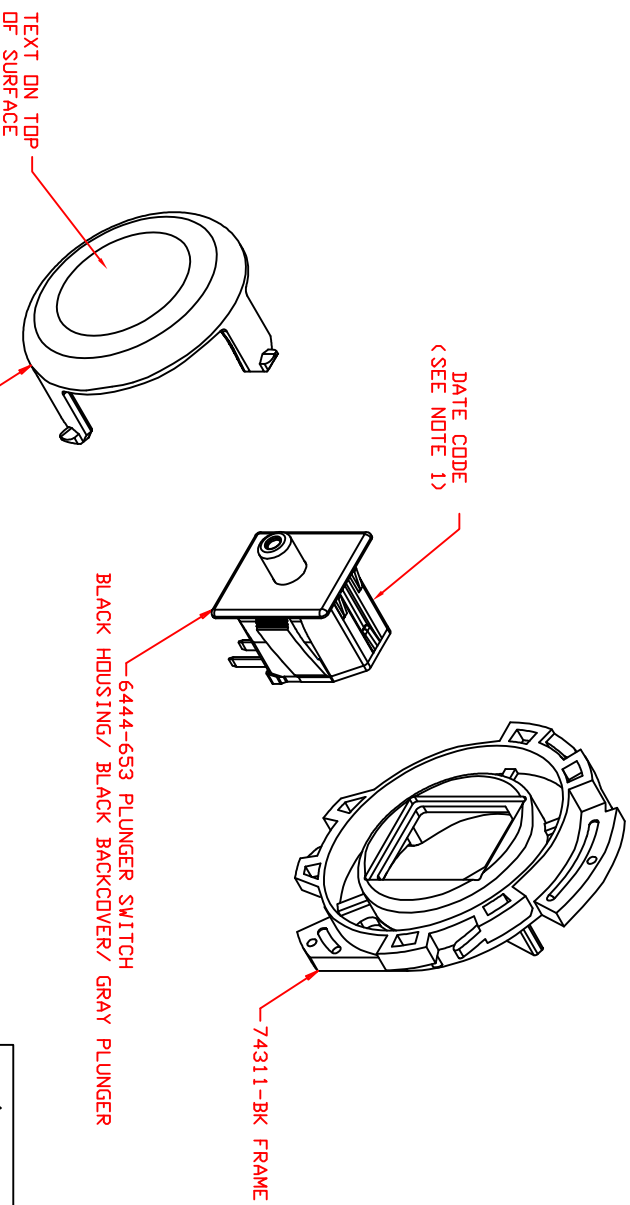


REVISIONS			
~	INITIAL RELEASE, CR1389	07/07/00	JH
A	CHANGED SPRING, CR1405	04/11/01	JH
B	UPDATED MOD. BACK COVER, CR1742	08/27/09	MA
C	ADDED SWITCH DESC, CN2689	01/24/11	CAK



NOTES
 1-DATE CODE PER MFG SPEC #1640 DN SWITCH(PREFIX WITH 6)

UNLESS OTHERWISE SPECIFIED DIMENSIONS ARE IN INCHES TOLERANCES ARE: XXX .XXX ANG3		COMPUTER GENERATED DRAWING - NO MANUAL CHANGES ALLOWED	
DATE	07/07/00	SCALE	FULL
CHECKED	JH	SIZE	B
DRAWN	LMN	FINISH	
MATERIAL PDL YPRDPPYLENE		PRODUCT NO. 6544-653	
TITLE NC/ND - LOW PROFILE SEAT SWITCH W/ 6# SPRING		REV C	
DELT SYSTEMS INC. STRETSBORD, OHIO 44241		PROJECT NO. EX360	