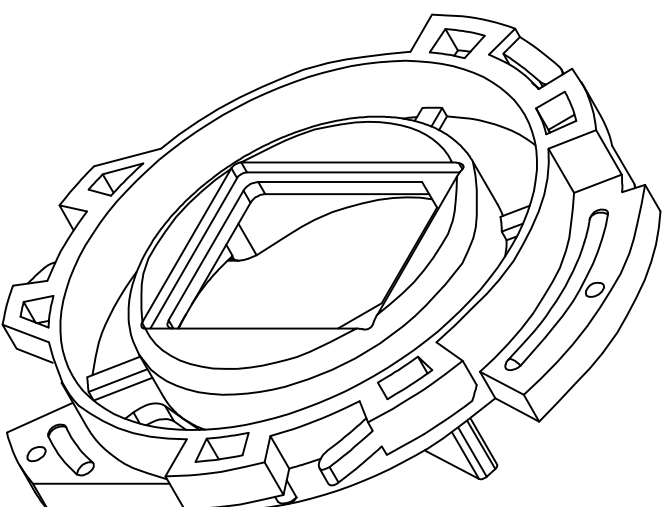
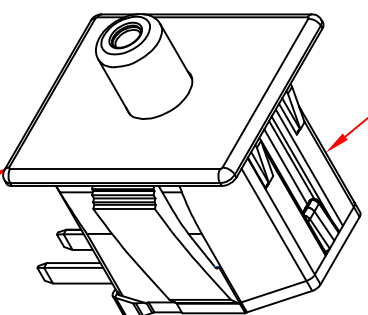


REVISIONS			
~	INITIAL RELEASE, CR 1600	03/15/05	MA
A	UPDATED MOD. BACK COVER, CR1742	08/27/09	MA
B	ADDED SWITCH DESC, CN2689	01/24/11	CAK

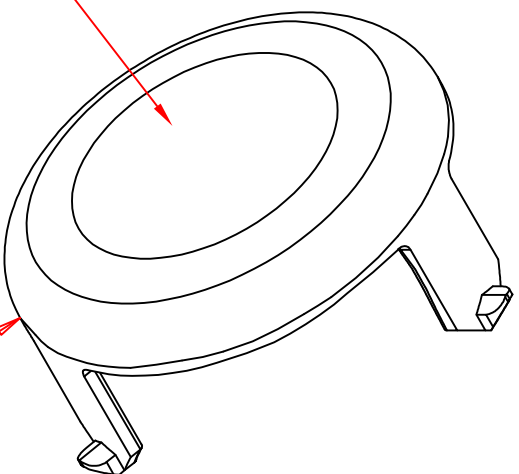


DATE CODE
< SEE NOTE 1 >

74311-GY FRAME



6444-683 PLUNGER SWITCH
GRAY HOUSING/ BLACK BACKCOVER/ GRAY PLUNGER



72110-GY ACTUATOR CAP

TEXT ON TOP
OF SURFACE

NOTES
1-DATE CODE PER MFG SPEC #1640 DN
SWITCH(PREFIX WITH 6)

COMPUTER GENERATED
DRAWING - NO MANUAL
CHANGES ALLOWED

UNLESS OTHERWISE SPECIFIED
DIMENSIONS ARE IN INCHES
TOLERANCES ARE:
XX± .XXX± ANGF

DD NOT SCALE DRAWING

DRAWN	DATE
MA	01/12/05
CHECKED	DATE
ML	01/12/05

MATERIAL
POLYPROPYLENE

FINISH

<p>DELTA SYSTEMS INC. STREETSBD, OHIO 44241</p>	
<p>TITLE NC/NC QUICK MOUNT SEAT SWITCH W/ 6# SPRING</p>	
SIZE	DWG. NO.
B	6544-683
SCALE	PROJECT NO.
FULL	EX360
	REV
	B