

8

7

6

5

4

3

2

1

### REVISIONS

REV.	DESCRIPTION	DATE	INIT
~	INITIAL RELEASE, CR 1495	05/22/03	NMP
1	MIGRATED TO NX, ADDED ASME NOTE, ECO 492	05/31/17	NMP

D

D

C

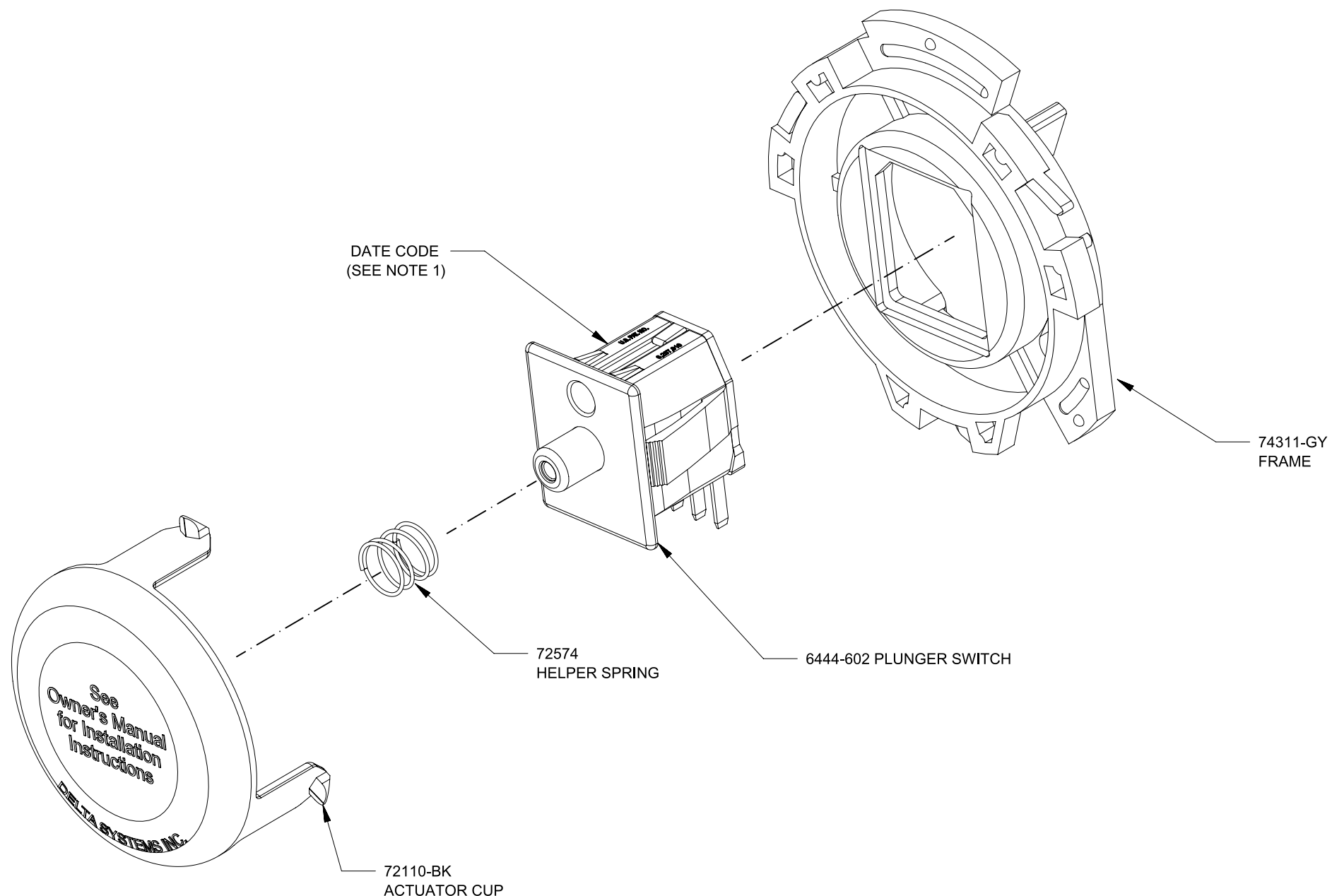
C

B

B

A

A



#### NOTES

- 1) DATE CODE PER MFG SPEC #1640 ON SWITCH (PREFIX WITH 6).
- 2) INTERPRET THIS DRAWING IN ACCORDANCE WITH ASME Y14.5-2009

PROPRIETARY & CONFIDENTIAL THE INFORMATION CONTAINED IN THIS DRAWING IS THE SOLE PROPERTY OF DELTA SYSTEMS. ANY REPRODUCTION IN PART OR AS A WHOLE WITHOUT THE WRITTEN PERMISSION OF DELTA SYSTEMS IS PROHIBITED.	UNLESS OTHERWISE SPECIFIED DIMENSIONS ARE IN INCHES TOLERANCES ARE: .X± .1 .XX± .02 .XXX± .005 X°± 1°	DRAWN Imm	DATE 12-Aug-2002	 1734 FROST ROAD STREETSBORO, OHIO 44241 330-626-2811 WWW.DELTASYSTEMSINC.COM
		CHECKED malbrecht	DATE 04-Oct-2002	
APPROVED ikirbawy	DATE 31-May-2017	PROJECTED VIEWS ARE 3RD ANGLE 		
DELTA SYSTEMS INC. DOES NOT ASSUME ANY LIABILITY ARISING OUT OF THE MISAPPLICATION OF ANY PRODUCT	COMPUTER GENERATED DRAWING - NO MANUAL CHANGES ALLOWED	FINISH		TITLE NO/NO Quick Mnt. Seat Switch w/6 6lb. & Helper Spring
		DO NOT SCALE DRAWING	STATUS DS4_Design	SIZE <b>B</b>
				DWG. NO. 6544-902
				SCALE NTS
				SHEET 1 OF 1
				PROJECT NO. EX360
				REVISION 1

8

7

6

5

4

3

2

1