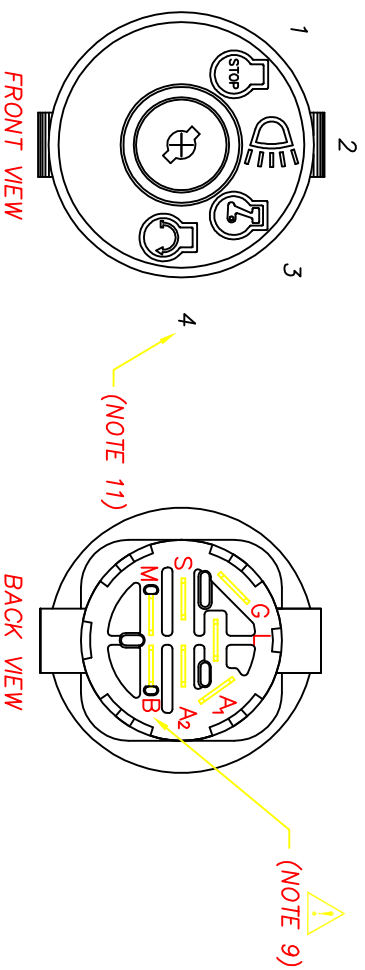
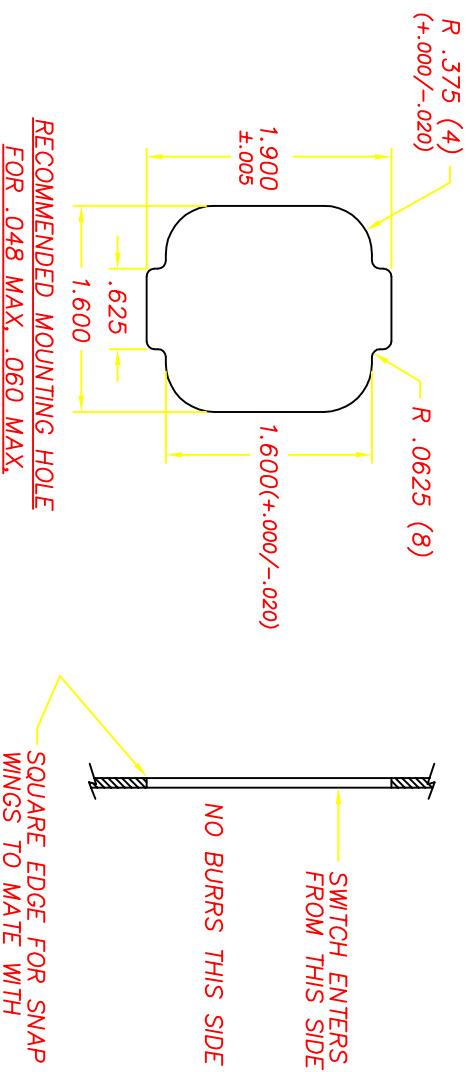


REVISIONS			
~	INITIAL RELEASE, CR 1400	01/17/01	JH
A	DIM .60 [15.2] & .22 [5.6], CN0553	09/05/02	JG
B	REMOVE CRITICAL DIM., CR 1477	06/02/03	JH
C	UPDATE MATERIAL CR1938	01/03/11	ERB



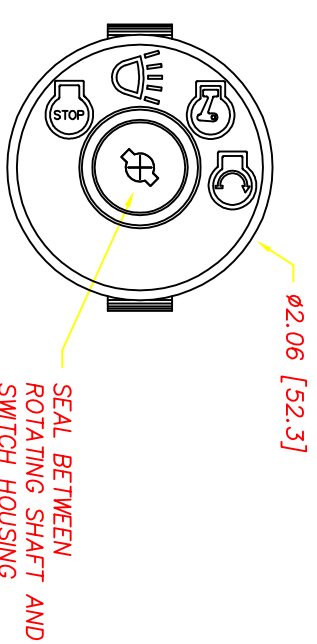
POSITION	ROTATION	FUNCTION	CONTACT 1	CONTACT 2
1	0°	OFF	M+G+A <sub>1</sub>	~
2	45°	RUN1	B+A <sub>1</sub>	L+A <sub>2</sub>
3	95°	RUN2	B+A <sub>1</sub>	~
4	135°	START	B+S+A <sub>1</sub>	~



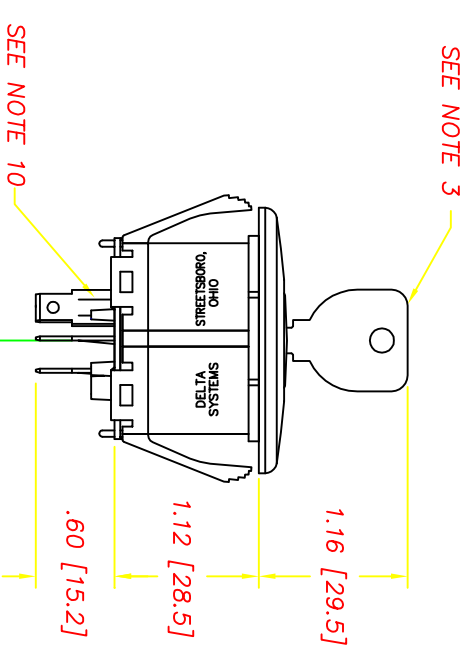
RECOMMENDED MOUNTING HOLE  
FOR .048 MAX. .060 MAX.  
.105 MAX. .165 MAX PANELS  
(THICKNESS INCLUDES PAINT AND ANY  
OTHER COVERINGS APPLIED TO PANEL.  
OTHER PANEL THICKNESSES NOT RECOMMENDED)

### NOTES

- 1-DIM.'S IN BRACKET [ ] ARE IN MILLIMETERS; MILLIMETER TOLERANCES ARE .XX±.5, .XX±.15.
- 2-PLASTIC PARTS ARE POLYPROPYLENE (DARK GRAY HOUSING, GRAY BACK COVER); TERMINALS ARE BRONZE. GRAPHICS ARE PAD PRINTED WHITE.
- 3-KEY IS SHIPPED SEPARATELY; MAXIMUM TORQUE FOR KEY IS 20 IN LBS. USE DELTA KEY ONLY; DELTA STEEL KEY PART# 688S-STD.
- 4-SWITCH STYLE STAMPED ON HOUSING.
- 5-DATE CODE INDICATING YEAR, MONTH, AND DAY OF MONTH MANUFACTURED STAMPED ON HOUSING.
- 6-SWITCH ELECTRICAL FUNCTIONALITY TESTED AFTER ASSEMBLY.
- 7-ELECTRICAL RATING, CONTINUOUS: 20A @ 12-14 VDC.  
ELECTRICAL LIFE: 5K CYCLES @ 10 AMPS INDUCTIVE;  
10K CYCLES @ 5 AMPS RESISTIVE;  
50K CYCLES @ 5 AMPS RESISTIVE.
- 8-THIS PRODUCT COVERED BY U.S. PATENT NO. 5252791  
OTHER PATENTS APPLIED FOR
- 9-SWITCH SHOULD NEVER BE MOUNTED IN PANEL WITH THE "B" TERMINAL DIRECTLY ABOVE THE "G" TERMINAL, RELATIVE TO GRAVITY.
- 10-PULL FORCE TO DISLOCATE BACK COVER IS 80 LBS. MINIMUM.
- 11-POSITION 4 IS MOMENTARY.
- 12-ALL OTHER CONTACT COMBINATIONS ARE NOT ALLOWED.

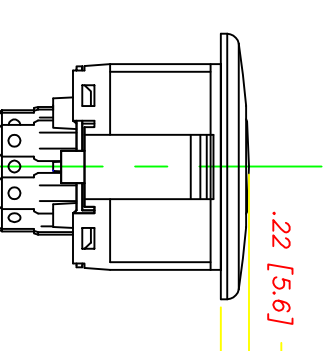


SEAL BETWEEN  
ROTATING SHAFT AND  
SWITCH HOUSING

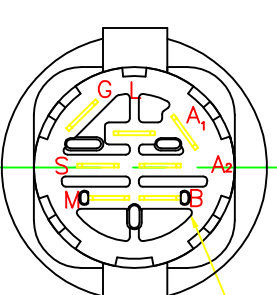


SEE NOTE 3

SEE NOTE 10




.03 x .25 MALE  
TERMINALS (7)  
USE PACKARD 56 SERIES  
FEMALE TERMINALS WITHOUT  
LOCKING NIBS, OR EQUIVALENT



TERMINAL PATTERN TO  
MATE WITH DSI  
CONNECTOR# 972311

DELTA SYSTEMS, INC. DOES NOT ASSUME ANY LIABILITY ARISING OUT OF THE MISAPPLICATION OF ANY PRODUCT		UNLESS OTHERWISE SPECIFIED DIMENSIONS ARE IN INCHES TOLERANCES ARE:	
DRAWN MA	DATE 12/29/00	FINISH SEE NOTE 2	SCALE FULL
CHECKED JH	DATE 01/17/01	MATERIAL SEE NOTE 2	PROJECT NO. 6900-47PG
COMPUTER GENERATED DRAWING - NO MANUAL CHANGES ALLOWED		DO NOT SCALE DRAWING	



**DELTA**  
 SYSTEMS INC.  
 STREETSBORO, OHIO 44241