

8

7

6

5

4

3

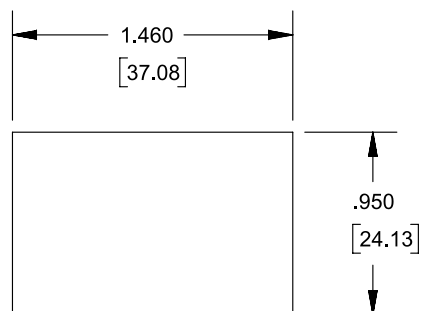
2

1

REVISIONS

REV.	DESCRIPTION	DATE	INIT
0	INITIAL RELEASE	01/22/18	NMP
1	OPERATING TEMP 70 °C WAS 80 °C	05/21/18	NMP

RECOMMENDED MOUNTING HOLE

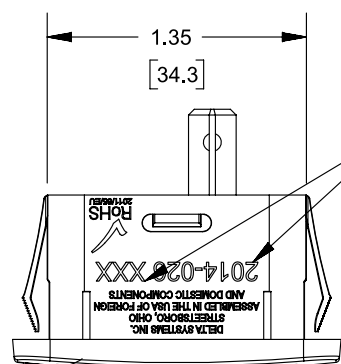


TOTAL MOUNTING PANEL THICKNESS RANGE
0.060-0.200
[1.52-5.08]

RECOMMENDED CUSTOMER PANEL SHOULD BE
DESIGNED & MANUFACTURED SO THAT METER
MOUNTING WINGS ENGAGE WITH A SQUARE EDGE

NOTES

- 1-DIMENSIONS IN BRACKETS [] ARE IN MILLIMETERS. MILLIMETER TOLERANCES ARE: 0.X±0.5, 0.XX±0.13
- 2-HOUSING IS CLEAR POLYCARBONATE AND FACEPLATE IS BLACK POLYCARBONATE/ABS BACKCOVER IS BLACK 30% GF NYLON
- 3-ASSEMBLY SEALED TO IP67
- 4-ASSEMBLY DATE CODED TO YEAR, MONTH AND DAY OF MANUFACTURE PER DELTA MFG SPEC #1640
- 5-DISPLAY: 9999.9
- 6-DISPLAY HEIGHT: 7 MILLIMETERS
- 7-OPERATING VOLTAGE: CLOCK RUNS WHEN 9-16 VDC APPLIED
- 8-SERVICE REMINDER: THE DISPLAY WILL TURN ON THE OIL CAN ICON EVERY 50 HOURS AND WILL STAY ON FOR 2 HOUR OR UNTIL A MANUAL RESET OCCURS. A MANUAL RESET REQUIRES THE USER TO CYCLE POWER ON THEN OFF FIVE TIMES (1SEC ON, 1 SEC OFF)
- 9-OPERATION TEMPERATURE: -30° TO 70° CELSIUS
- 10-CLOCK ACCURACY: +/-5% OVER OPERATING TEMP; ±2% @ 25°C
- 11-TYPICAL VIEWING ANGLE: 6 O'CLOCK
- 12-MUST BE IN COMPLIANCE WITH DIRECTIVE 2011/65/EU OF THE EUROPEAN PARLIAMENT AND THE COUNCIL OF 08 JUNE 2011 ON THE RESTRICTION OF THE USE OF CERTAIN HAZARDOUS SUBSTANCES IN ELECTRICAL AND ELECTRONIC EQUIPMENT (ROHS DIRECTIVE)
- 13-INTERPRET THIS DRAWING IN ACCORDANCE WITH ASME Y14.5-2009



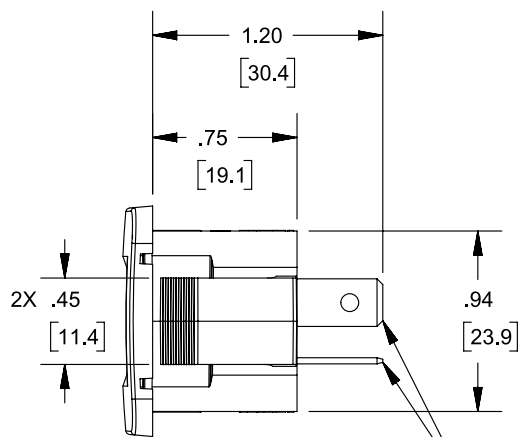
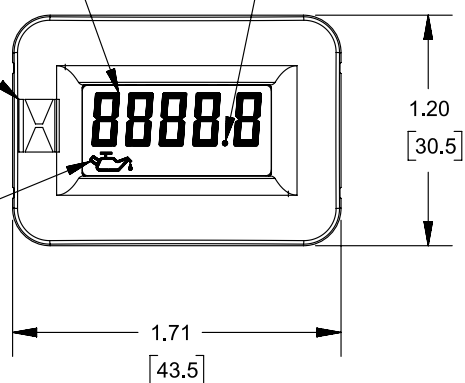
DATE CODE AND MODEL NUMBER ON EITHER SIDE

5 DIGIT DISPLAY TO TENTHS OF HOURS
FLASHING DECIMAL POINT WHILE IN USE

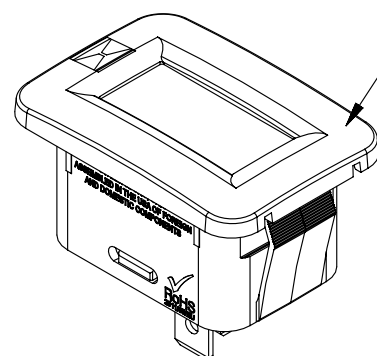
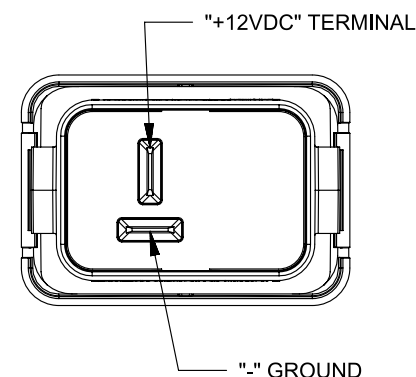
7MM DIGIT HEIGHT

WHITE HOURGLASS SYMBOL

OIL CAN SERVICE REMINDER



1/4" TERMINALS MATE WITH
DELPHI # 02962551
56 SERIES CONNECTOR



TOP SURFACE TO BE TEXTURED

PROPRIETARY & CONFIDENTIAL THE INFORMATION CONTAINED IN THIS DRAWING IS THE SOLE PROPERTY OF DELTA SYSTEMS. ANY REPRODUCTION IN PART OR AS A WHOLE WITHOUT THE WRITTEN PERMISSION OF DELTA SYSTEMS IS PROHIBITED.	UNLESS OTHERWISE SPECIFIED DIMENSIONS ARE IN INCHES TOLERANCES ARE: .X± .1 .XX± .02 .XXX± .005 X°± 1°	DRAWN npurdy	DATE 22-Jan-2018	<p>1734 FROST ROAD STREETSBORO, OHIO 44241 330-626-2811 WWW.DELTASYSTEMSINC.COM</p>	
		CHECKED bkral	DATE 18-Apr-2018		
APPROVED ikirbawy	DATE 26-Apr-2018	MATERIAL N/A	PROJECTED VIEWS ARE 3RD ANGLE 		
DELTA SYSTEMS INC. DOES NOT ASSUME ANY LIABILITY ARISING OUT OF THE MISAPPLICATION OF ANY PRODUCT	COMPUTER GENERATED DRAWING - NO MANUAL CHANGES ALLOWED	FINISH N/A	DO NOT SCALE DRAWING	TITLE Hourmeter	
		STATUS DS4_Design	SCALE NTS	SIZE B	DWG. NO. 2014-026_APP
		SHEET 1 OF 1	PROJECT NO. 039	REVISION 1	

8

7

6

5

4

3

2

1