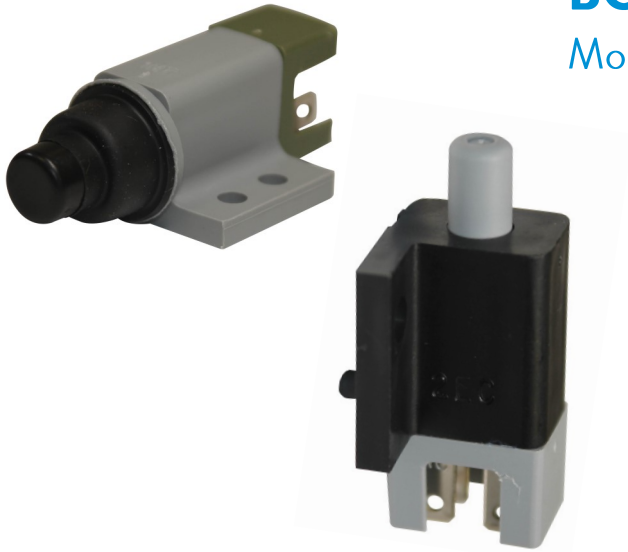


BOLT MOUNT PLUNGER SWITCHES

Model Series 6400/6402/6405/6410/6420



- Mounting Type- Screw or bolt mount
- Easy to design into your application
- One or two independent electrical circuits
- Wiping contact prevent carbon buildup and increased life
- RoHS, REACH and Conflict Mineral compliant as noted*

OPERATION

Delta Systems' Plunger Switches are used to sense the position of mechanical linkages and controls. The patented wiping action switch contact prevents carbon buildup, keeping contact resistance low and extending switch life in rugged environments.

ELECTRICAL SPECIFICATIONS

Cycles: Resistive: 75,000, Inductive: 10,000
 Operating Voltage: Range: 12-14V_{DC}
 Operating Current: 3 Amps
 Pre-travel, inches: .040-.150
 Operating Temperature Range: -20 °F to 150 ° F
 Storage Temperature Range: -30 °F to 150 ° F

ENVIRONMENTAL RATINGS

Exposure	Specification
Salt Fog	ASTM B117. 96 hours
Chemical Resistance	ASTM Ref C Fuel, Diesel Fuel, Oil, Antifreeze, Freon, Paint, Latex, Gasoline, Gas with 10% ethanol, WD-40, Battery Acid, Ammoniated Glass Cleaner, Kerosene, GOJO®, Fertilizer

AVAILABLE CONFIGURATIONS

Bolt Mount Only

Product Line	Part Number	Electrical Config-	Mounting	Mating Connector	Environmental Rating
Plungers - Basic	6400-02	NO/NO	Bolt	Delphi 2977048	Unsealed
Plungers - Basic	6400-03	NC/NC	Bolt	Delphi 2977048	Unsealed
Plungers - Basic	6400-31	NC	Bolt	Delphi 2973872	Unsealed
Plungers - Basic	6400-51	NC	Bolt	Delphi 2973872	Unsealed
Plungers - Basic	6400-52	NO	Bolt	Delphi 2973872	Unsealed
Plungers - Basic	6400-53	NO/NC	Bolt	Delphi 2977048	Unsealed
Plungers - Basic	6400-54	NO	Bolt	Delphi 2973872	Unsealed
Plungers - Basic	6400-87	NC	Bolt	Delphi 2973872	Unsealed
Plungers - Basic	6400-88	NO	Bolt	Delphi 2973872	Unsealed
Plungers - Basic	6402-53*	NO/NC	Bolt	Delphi 2977048	Unsealed
Plungers - Basic	6405-53*,**	NO/NC	Bolt	Delphi 2977048	Splash-proof Connector
Plungers - Basic	6410-02*,**	NO/NO	Bolt	Delphi 2977048	Splash-proof Plunger
Plungers - Basic	6410-51**	NC	Bolt	Delphi 2973872	Splash-proof Plunger
Plungers - Basic	6410-53**	NO/NC	Bolt	Delphi 2977048	Splash-proof Plunger
Plungers - Basic	6410-54**	NO	Bolt	Delphi 2973872	Splash-proof Plunger
Plungers - Basic	6410-63**	NO/NC	Bolt	Delphi 2977048	Splash-proof Plunger
Plungers - Basic	6420-02**	NO/NO	Bolt	Delphi 2977048	Splash-proof
Plungers - Basic	6420-03**	NC/NC	Bolt	Delphi 2977048	Splash-proof
Plungers - Basic	6420-53**	NO/NC	Bolt	Delphi 2977048	Splash-proof

Note: * Not RoHS, REACH and Conflict Mineral compliant

**Splash-proof switches have an elastomer boot covering the opening to the switch at the plunger (splash-proof plunger) and/or encapsulating material around the terminals on the switch body (splash-proof connector).

OPTIONAL CONFIGURATIONS

Product Line	Part Number	Electrical Configuration	Mounting Type	Mating Connector	Environmental Rating
Plungers - Basic	6400-83	NO/NC	Bolt/Clip	Delphi 2977048	Unsealed
Plungers - Basic	6400-93	NO/NO	Bolt/Clip	Delphi 2977048	Unsealed

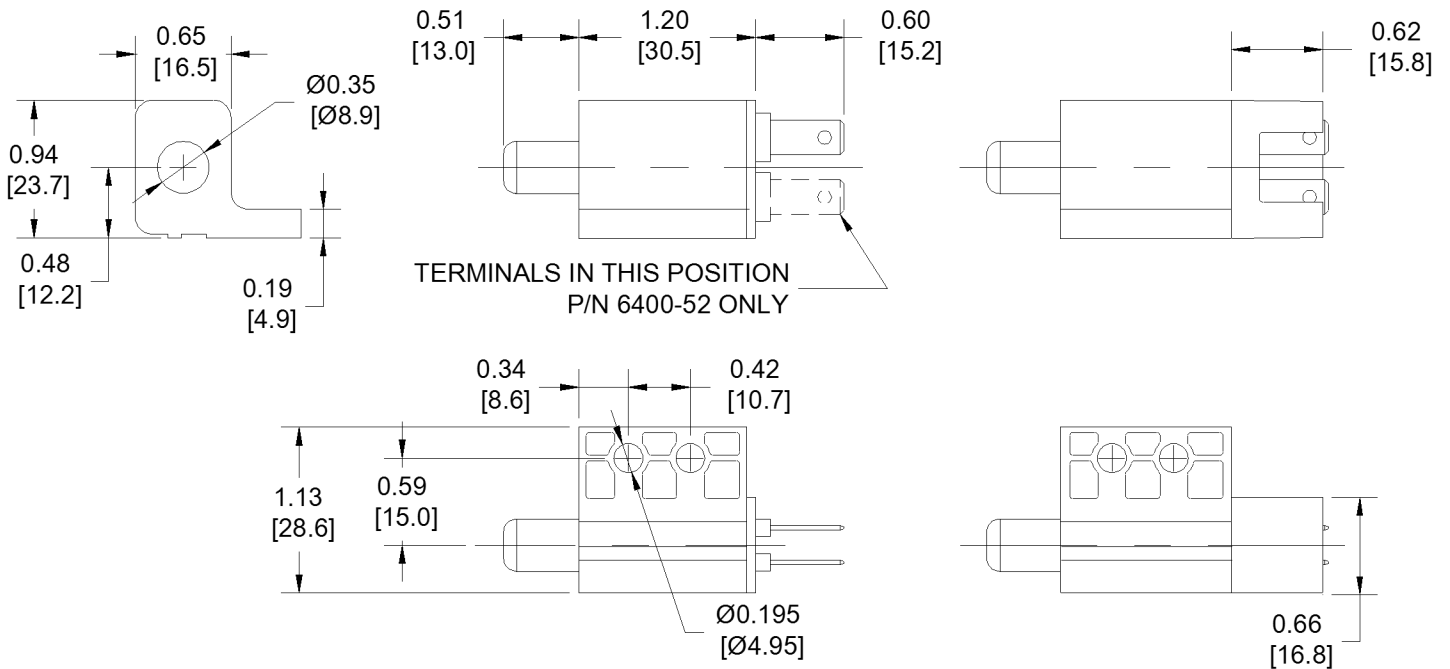
MOUNTING

6402 series switch housings have one .260 diameter clearance hole and one .151 diameter, .126 tall post spaced .420 apart for mounting with a single screw.

All other series switch housings have two .195 diameter clearance holes spaced .420 apart for bolt or screw mounting, except for 6400-31, which has two .166 diameter clearance holes spaced .420 apart for bolt or screw mounting.

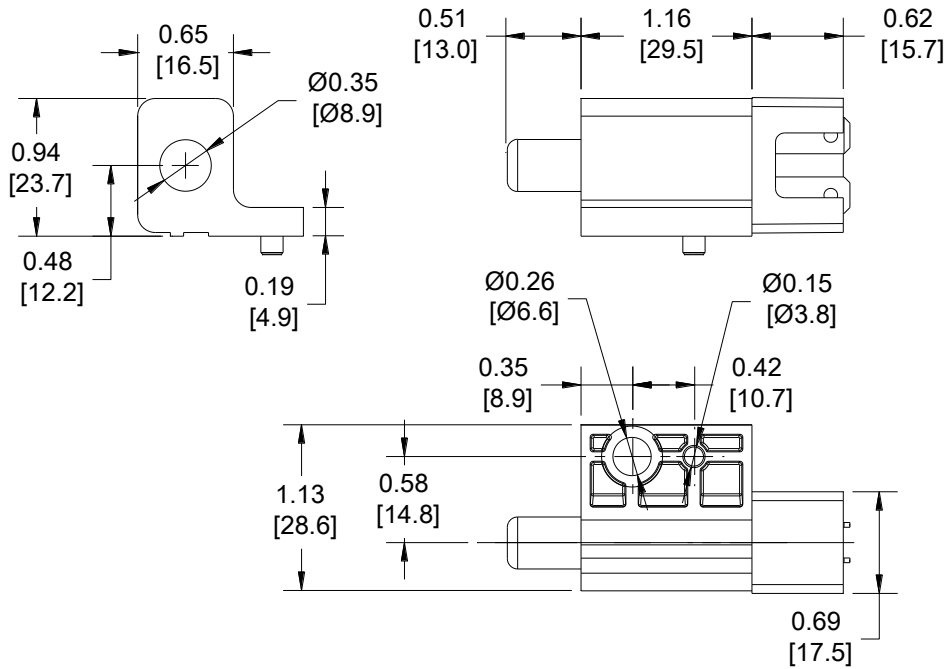
DIMENSIONS

Note: For specific Part information please refer to the Application print.

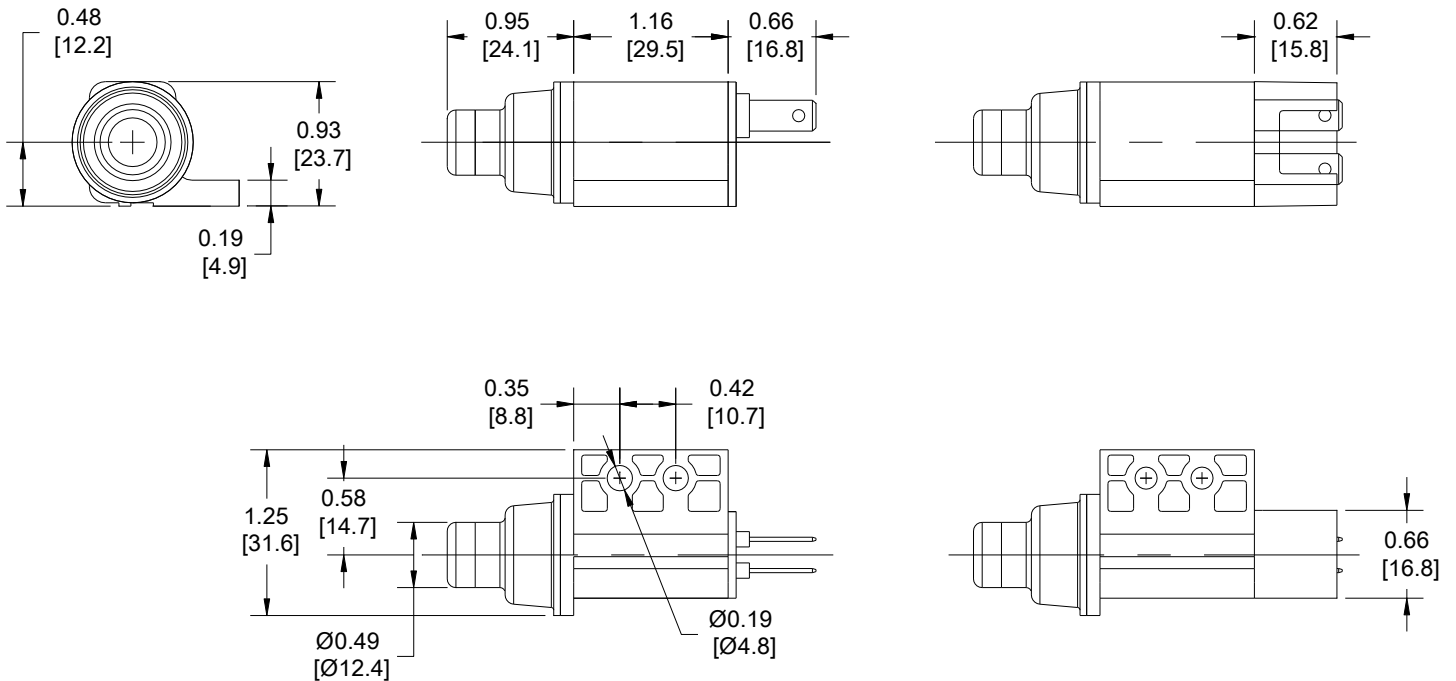


DIMENSIONS

6402 Series



6410 Series

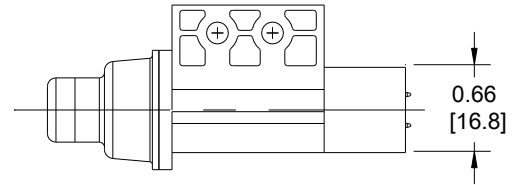
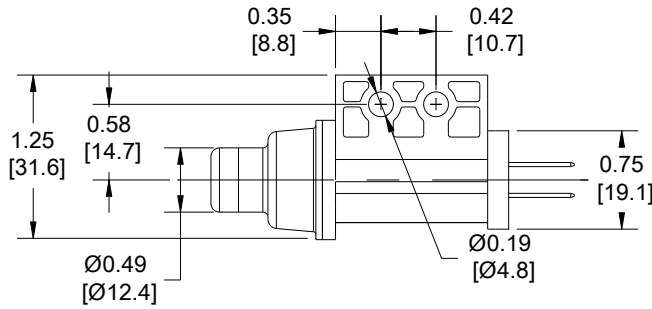
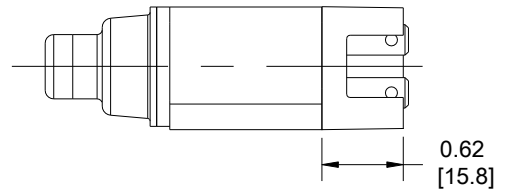
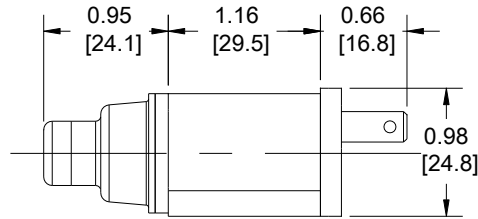
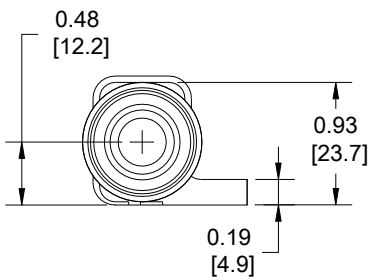


DIMENSIONS

6420 Series

One Pole

Two Pole



ACCESSORIES

Item #	Manufacturer	Description
9900	Delta Systems	Protective Cover

Note: Life expectancy and switch performance are largely dependent on application. It is the user's responsibility to determine suitability of this product for the application. This information is intended as a guide for proper application.