

HALL EFFECT SEAT SWITCHES

Model Series 6540



- One million cycle life,
- No mechanical contacts
- Fully encapsulated electronics
- Easy to install and connect
- Fully Sealed IP67
- Sense Operator Presence
- RoHS, REACH and Conflict Mineral compliant

OPERATION

Delta's Hall Effect seat switches are ideal to integrate into your application and designed to last in harsh surroundings. Typical applications include construction equipment, material handling equipment, outdoor power equipment, forklifts, rental equipment, agricultural equipment, ATVs, UTVs and other applications where operator presence detection is necessary.

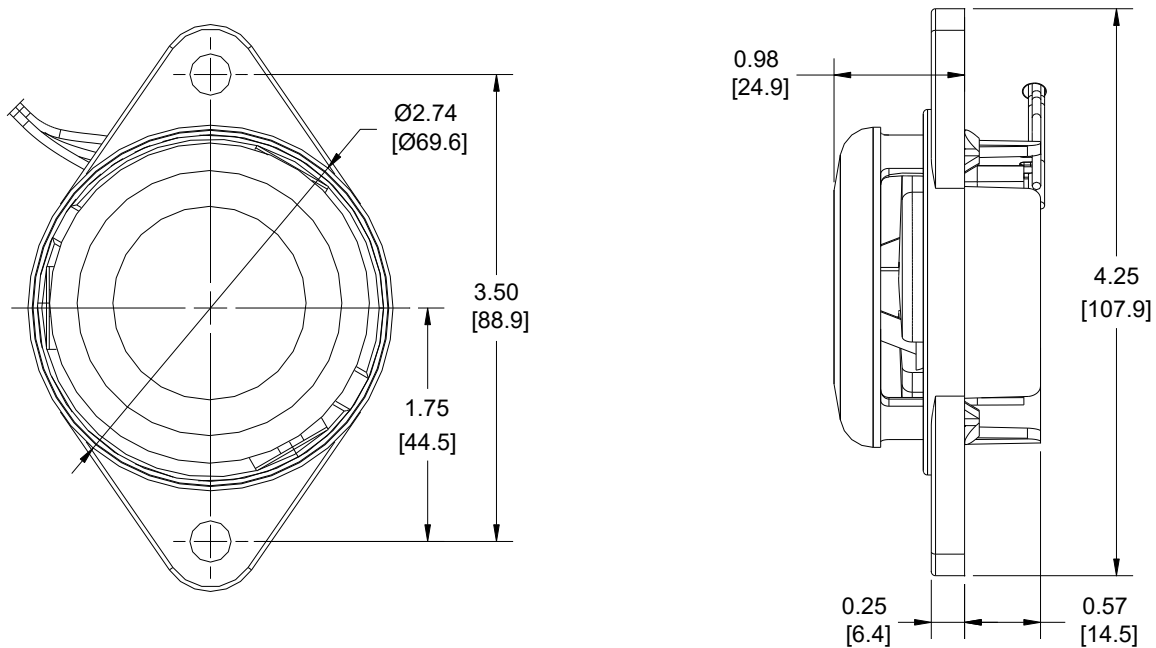
ELECTRICAL SPECIFICATION

Property		6540-006	6540-007
Input Voltage, VDC		6-40	9-30
Output Signal Voltage, VDC	Actuated	5	5
	At Rest	1	Ground
Output Load Resistance, kΩ		>10	>10
Total travel, inches		0.5 ± 0.1	
Pre-travel, inches		.050-.200	
Actuation Force (@ 0.300" Deflection, lbs.)		3.7 +/- 0.5	
Cycle Life @ Max Load		1,000,000	
Operating/Storage Temperature, °C		-40 to +85	

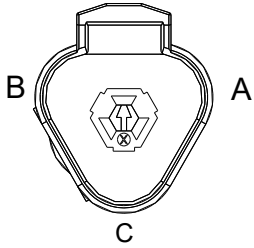
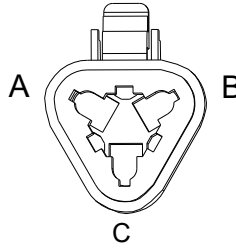
ENVIRONMENTAL RATINGS

Exposure	Specification
Salt Fog	ASTM B117, 96 Hours
Dust / Water Ingress	IEC 60529, IP67
Chemical Resistance	ASTM Ref C Fuel, Diesel Fuel, Oil, Antifreeze, Freon, Paint, Latex, Gasoline, Gas with 10% ethanol, WD-40, Battery Acid, Ammoniated Glass Cleaner, Kerosene, GOJO® Fertilizer

DIMENSIONS



CONNECTION

P/N	6540-006	6540-007
Diagram		
Integral Connector	Deutsch DT04-3P (1060-16-0122 contacts, W3P wedge lock)	Deutsch DT06-3S (1062-16-0122 contacts, W3S wedge lock)
Mating Connector	Deutsch DT06-3S	Deutsch DT04-3P

POSITION

Position	Type
A	Power
B	Signal
C	Ground

MOUNTING

Switches mount with two fasteners through clearance holes in the frame.

Note: Life expectancy and switch performance are largely dependent on application. It is the user's responsibility to determine suitability of this product for the application. This information is intended as a guide for proper application.