

MOMENTARY SWITCHES

Model Series 7100/7152/7162



- Tactile feel feedback
- Fully sealed design
- Easy to install and connect

OPERATION

Delta System's momentary switches contain snap action domes for excellent tactile feedback. Buttons have up/down or right /left buttons depending on switch orientations. Exiting wires are encapsulated. Switch body have feature for snap in mounting.

ELECTRICAL SPECIFICATIONS

Switch Resistance, Closed, ohms = <0.1 (not including wire)

Switch Resistance, Open, > 10 megaohms

Max Operating Voltage, 15 V_{DC}

Max Current @ 12-15 V_{DC}, 300 mA

Contact Resistance @ Max Load, 50mΩ

Leakage Current @ 12 V_{DC}, 50 μA

Cycle Life @ 300 mA (inductive) =100,000

ENVIRONMENTAL RATINGS

Exposure	Specification
Ingress Protection	IEC 60529, IP67
Salt Fog	ASTM B117. 96 hours

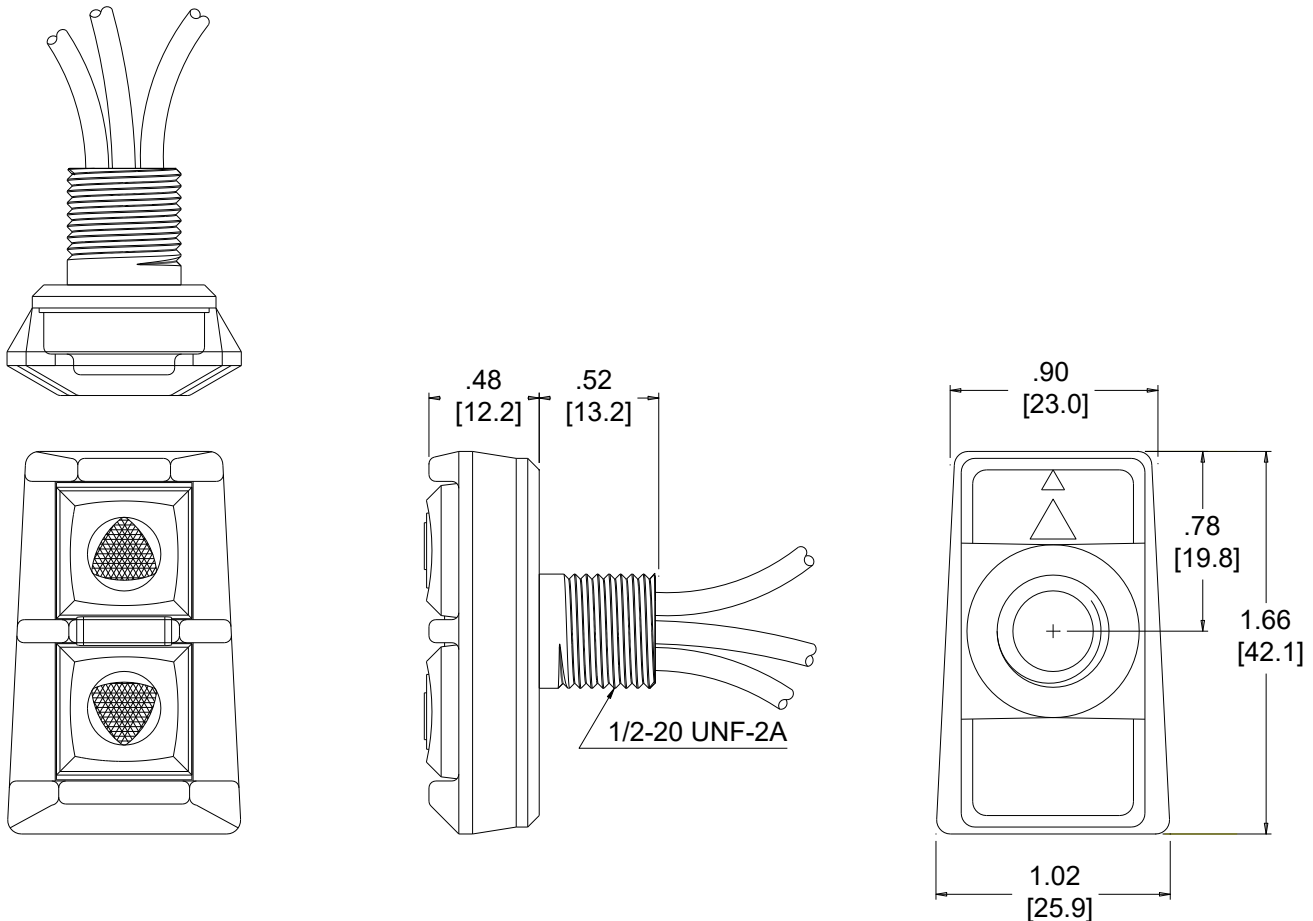
AVAILABLE CONFIGURATIONS

Product Line	Part number	Mounting Type	Connections	IP67
Plungers - Momentary	7100-06	Nut Mount	Wire Leads	Yes
Plungers - Momentary	7100-07	Nut Mount	(3) 11" Stripped Leads	Yes
Plungers - Momentary	7152-01	Snap In	Wire Leads	Yes
Plungers - Momentary	7152-02	Snap In	Wire Leads	Yes
Plungers - Momentary	7152-03	Snap In	Wire Leads	Yes
Plungers - Momentary	7152-07	Snap In	Wire Leads	Yes
Plungers - Momentary	7162-01	Screw Mount	Wire Leads	Yes

DIMENSIONS

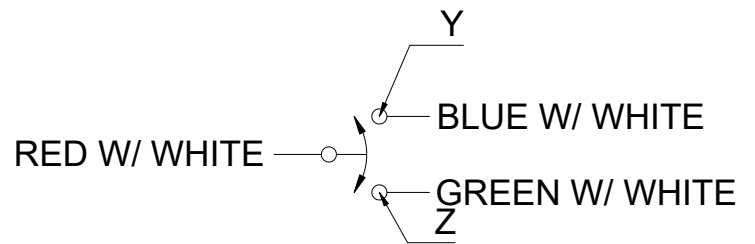
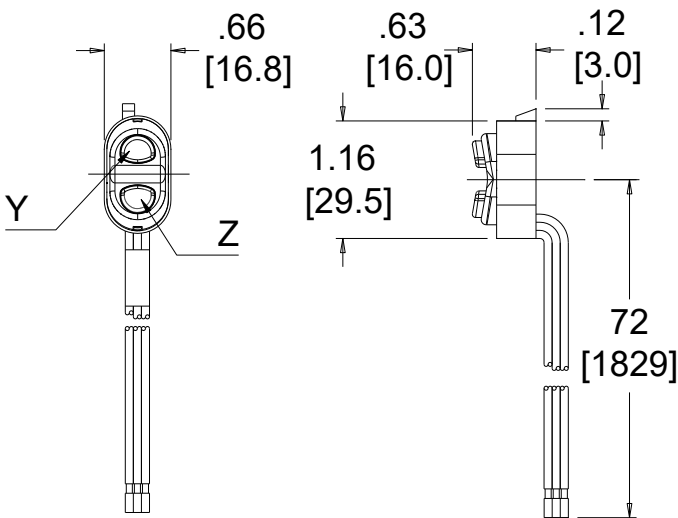
Note: For specific Part information please refer to the Application print

7100



DIMENSIONS

7152/7162



Note: Life expectancy and switch performance are largely dependent on application. It is the user's responsibility to determine suitability of this product for the application. This information is intended as a guide for proper application.