

PUSH BUTTON IGNITION SWITCHES

Model Series 2067



- Ingress Protection: IP67. with mating connector
- Illuminated button “ENGINE START” when ON
- Snap-In, Panel Mount, from Front
- Variations of standard circuitry available
- Customizable graphics
- 6-Circuit Molex MX-150 Connector
- RoHS, REACH and Conflict Mineral compliant

OPERATION

Delta Systems now provides a solution for customers desiring an automotive-like ignition switch. Our Push Button design is sealed from harsh environments such as rain, ice, snow and debris.

ELECTRICAL SPECIFICATIONS

Property	
Operating Voltage	9.0V-16.0V
Operating Current	200mA
Reverse Polarity Protection	Yes
Operating Temperature Range	-40 °C to 85 °C
Storage Temperature Range	-40 °C to 85 °C

ENVIRONMENTAL RATINGS

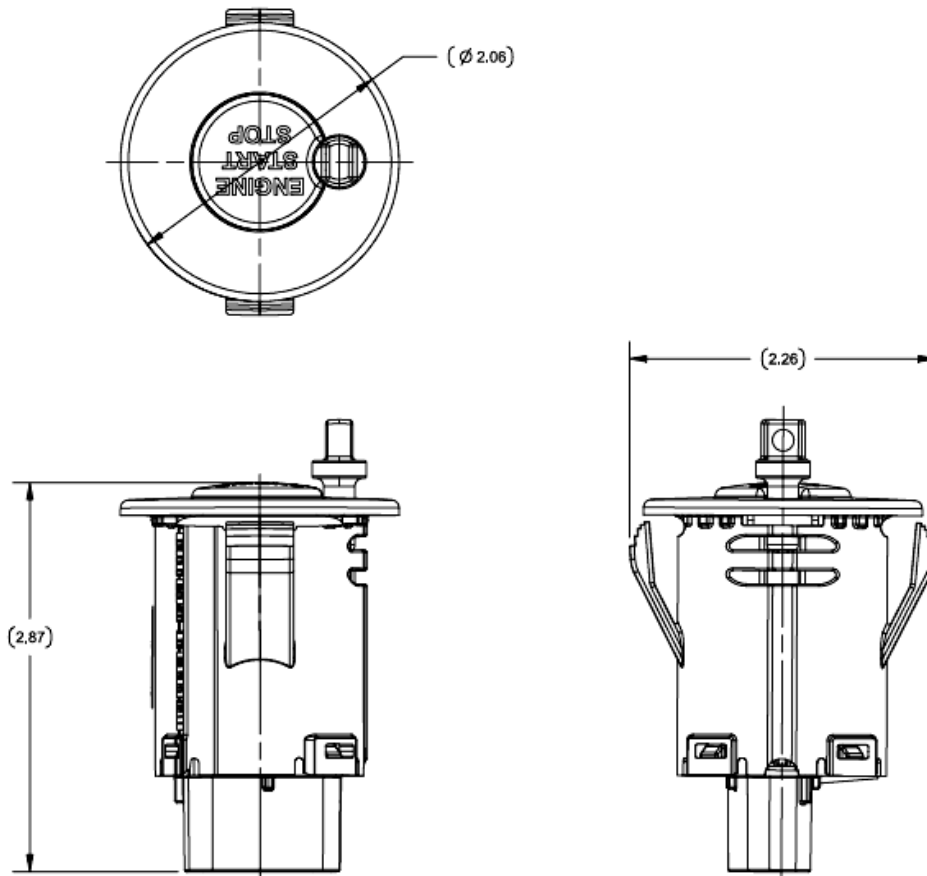
Exposure	Specification
Dust / Water Ingress	IEC-62061 IP67
Salt Fog	EP455 – 5.9
Chemical Resistance	EP455-5.8 Brush Water, engine oil, battery acid, gasoline, diesel fuel, bleach, antifreeze, pressure washer detergent, hydraulic fluid, glass cleaner with ammonia, engine cleaner/degreaser, and DEET (10%)

AVAILABLE CONFIGURATIONS

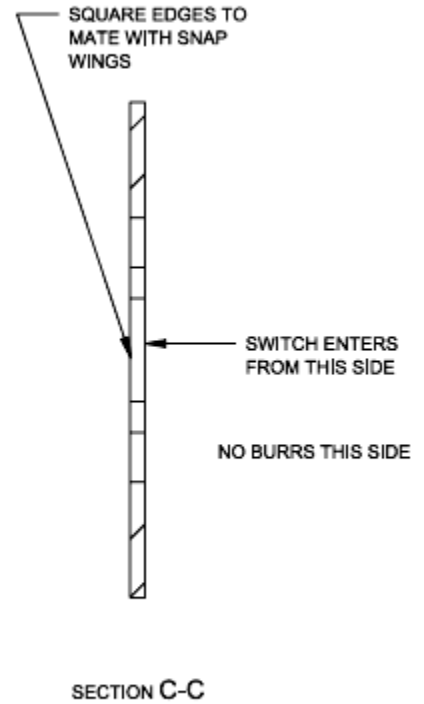
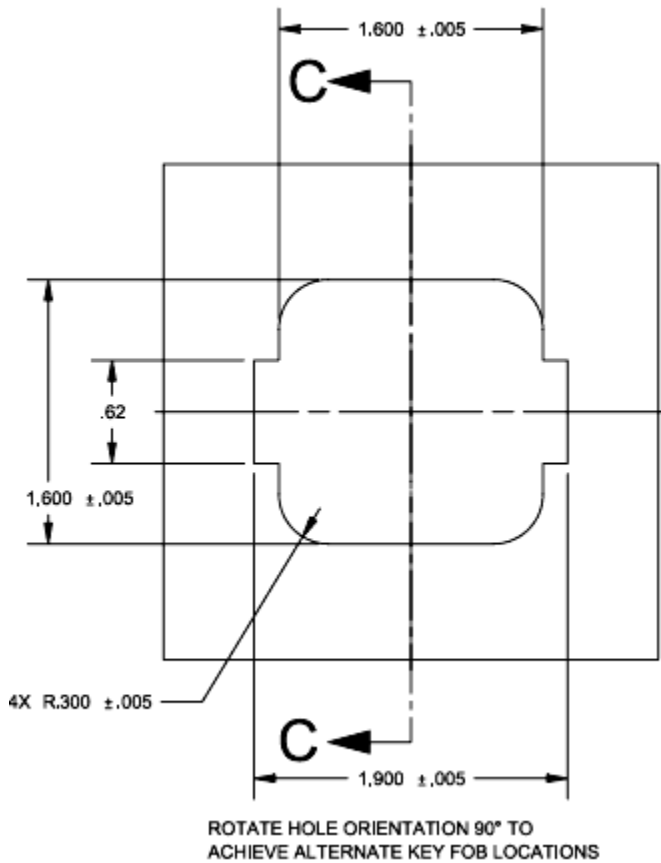
Product Line	Part number	Operating	Function	Mounting Style	IP67	Mating Connector
Push Button Ignition	2067-101	9V-16VDC	Push Button Start/ Pull Stop	Snap In	Yes	Molex MX-150
Push Button Ignition	2067-105	9V-16VDC	Push to Start/Stop	Snap In	Yes	Molex MX-150

DIMENSIONS

Note: For specific Part information please refer to the Application print.



MOUNTING



Recommended panel thicknesses are .048 max, .060 max, .105 max, and .165 max, including paint, decals, etc.

Note: Life expectancy and switch performance are largely dependent on application. It is the user's responsibility to determine suitability of this product for the application. This information is intended as a guide for proper application.