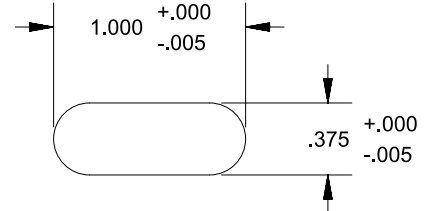


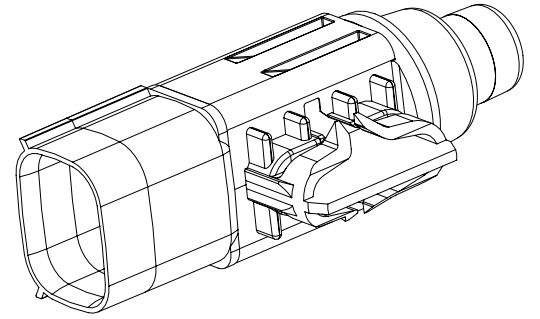
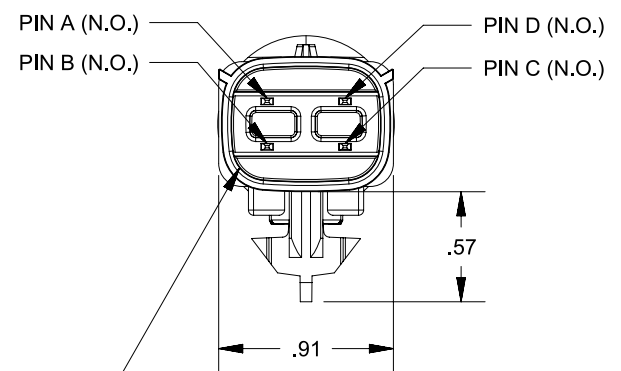
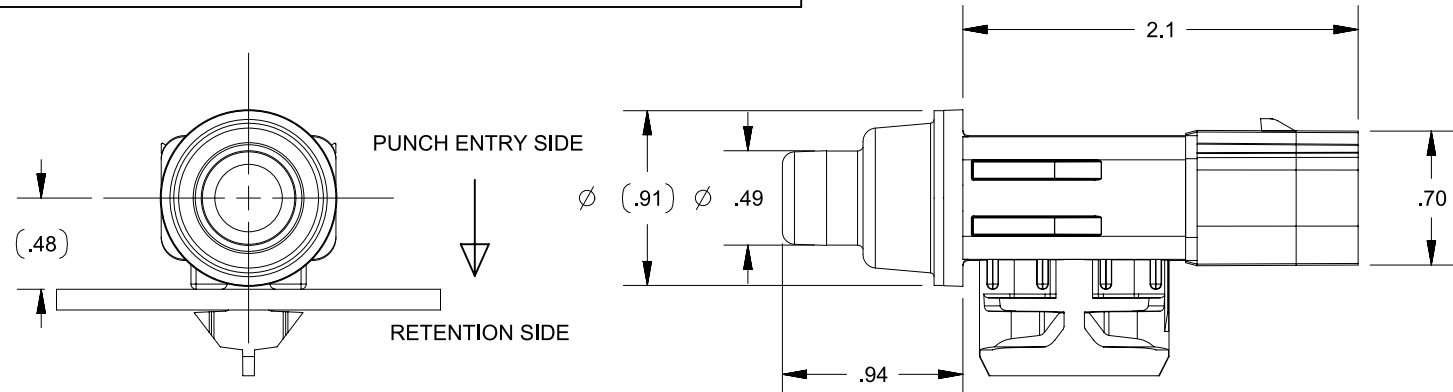
8 7 6 5 4 3 2 1

**REVISIONS**

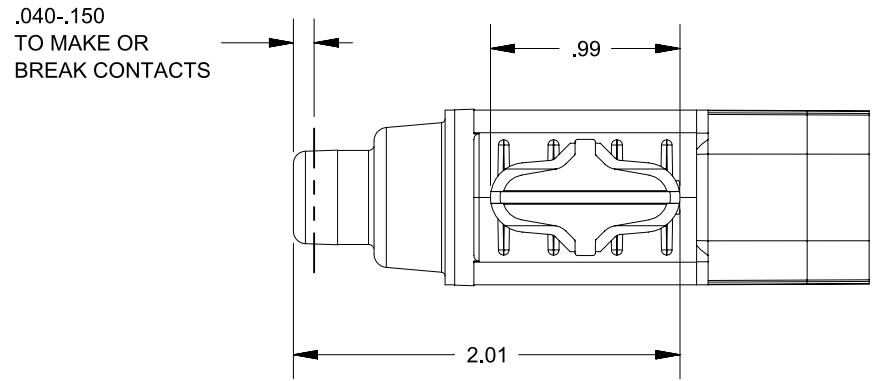
REV.	DESCRIPTION	DATE	INIT
0	INITIAL RELEASE	04/12/17	IDK
1	Ø (.91) WAS Ø .91	07/06/17	IDK
2	MATING MOLEX CONNECTOR 33472-4801 WAS 33472-0801	07/20/23	PJC



RECOMMENDED MOUNTING SLOT SWITCH WILL ACCEPT .108 PANEL THICKNESS INCLUDING PAINT, DECALS, ETC  
\*SQUARE EDGE REQUIRED ON WING RETENTION SIDE OF SLOT



HARNESS INFORMATION  
SWITCH MATES WITH MOLEX MX150 SERIES ASSEMBLY # 33472-4801  
PIN A - MOLEX TERMINAL 1  
PIN B - MOLEX TERMINAL 5  
PIN C - MOLEX TERMINAL 8  
PIN D - MOLEX TERMINAL 4



- NOTES**
- 1) TERMINALS ARE NICKEL PLATED
  - 2) DATE CODE INDICATING YEAR, MONTH, AND DAY OF MONTH MANUFACTURED MARKED ON HOUSING
  - 3) INTEGRITY OF WELD & SWITCH FUNCTIONALITY TESTED AFTER ASSEMBLY
  - 4) ASSEMBLY IS RoHS COMPLIANT.
  - 5) SWITCH PASSES IEC IP67
  - 6) EACH ASSEMBLY IS LEAK TESTED BY PRESSURIZING (WITH AIR) THE INTERNAL VOLUME TO 2 PSIG. SWITCH MUST MAINTAIN AIR VOLUME WITHIN 0-1 SCC/MIN RATE OF CHANGE
  - 7) DESIGN FOR A SWITCH BOUNCE OF 30ms
  - 8) THE BODY AND PLUNGER ARE BLACK, BACK COVER IS GRAY
  - 9) ACTUATION FORCE 5.0-7.5 LBS AT .400 PLUNGER TRAVEL WITH SEALED CONNECTOR INSTALLED
  - 10) TOTAL TRAVEL OF PLUNGER IS .40 MIN FROM REST POSITION
  - 11) INTERPRET THIS DRAWING IN ACCORDANCE WITH ASME Y14.5-2009

PROPRIETARY & CONFIDENTIAL THE INFORMATION CONTAINED IN THIS DRAWING IS THE SOLE PROPERTY OF DELTA SYSTEMS. ANY REPRODUCTION IN PART OR AS A WHOLE WITHOUT THE WRITTEN PERMISSION OF DELTA SYSTEMS IS PROHIBITED.	UNLESS OTHERWISE SPECIFIED DIMENSIONS ARE IN INCHES TOLERANCES ARE: .X± .1 .XX± .02 .XXX± .005 X°± 1°	DRAWN ikirbawy	DATE 12-Apr-2017	1734 FROST ROAD STREETSBORO, OHIO 44241 330-626-2811 WWW.DELTASYSTEMSINC.COM		
		CHECKED rkawolics	DATE 12-Apr-2017			
DELTA SYSTEMS INC. DOES NOT ASSUME ANY LIABILITY ARISING OUT OF THE MISAPPLICATION OF ANY PRODUCT	COMPUTER GENERATED DRAWING - NO MANUAL CHANGES ALLOWED	APPROVED ikirbawy	DATE 12-Apr-2017	TITLE Sealed Rail Frame Plunger Switch, NO-NO		
		MATERIAL N/A	PROJECTED VIEWS ARE 3RD ANGLE 			
		FINISH N/A	DO NOT SCALE DRAWING	STATUS DS4_Design	SCALE NTS	SHEET 1 OF 1

8 7 6 5 4 3 2 1