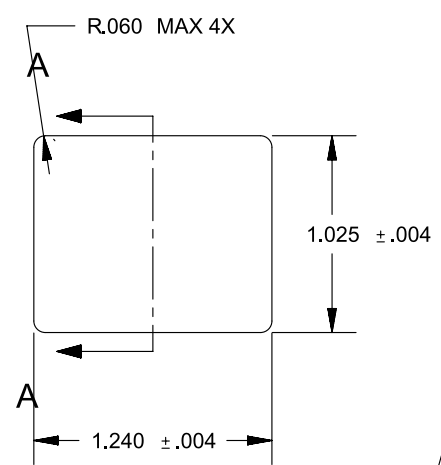


8 7 6 5 4 3 2 1

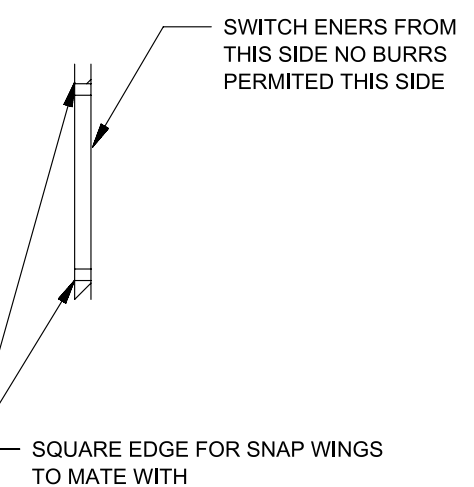
REVISIONS

REV.	DESCRIPTION	DATE	INIT
0	INITIAL RELEASE	05/18/15	MJS

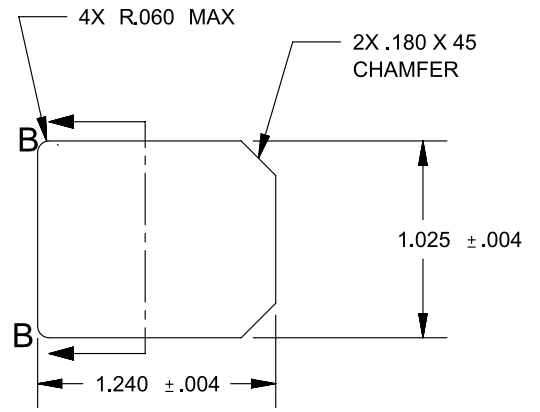
STANDARD MOUNTING HOLE



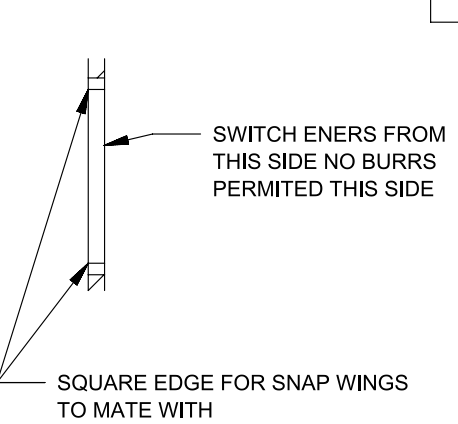
SECTION A-A



ANTI-ROTATION MOUNTING HOLE



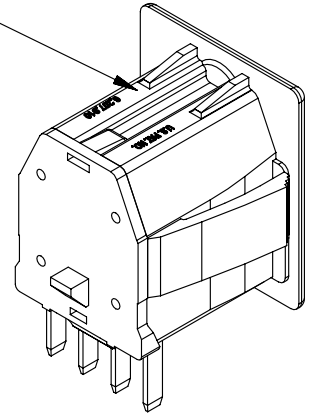
SECTION B-B



FOR 0.060, 0.085, 0.105 MAX PANELS (THICKNESS INCLUDES PAINT AND ANY OTHER COVERINGS APPLIED TO THE PANEL)

FOR 0.060, 0.085, 0.105 MAX PANELS (THICKNESS INCLUDES PAINT AND ANY OTHER COVERINGS APPLIED TO THE PANEL)

DATE CODE (NOTE 4)



D

D

C

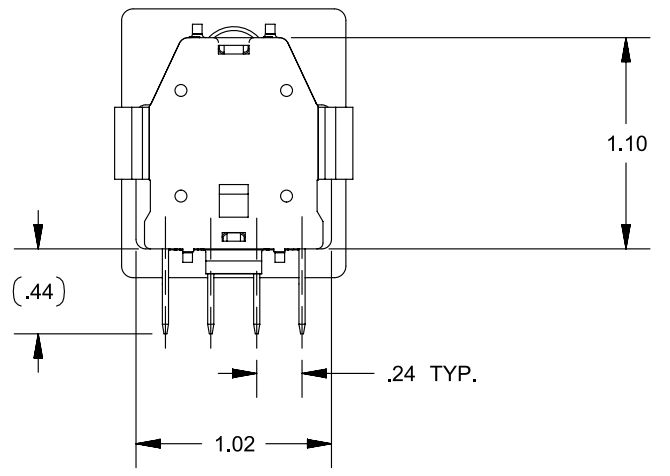
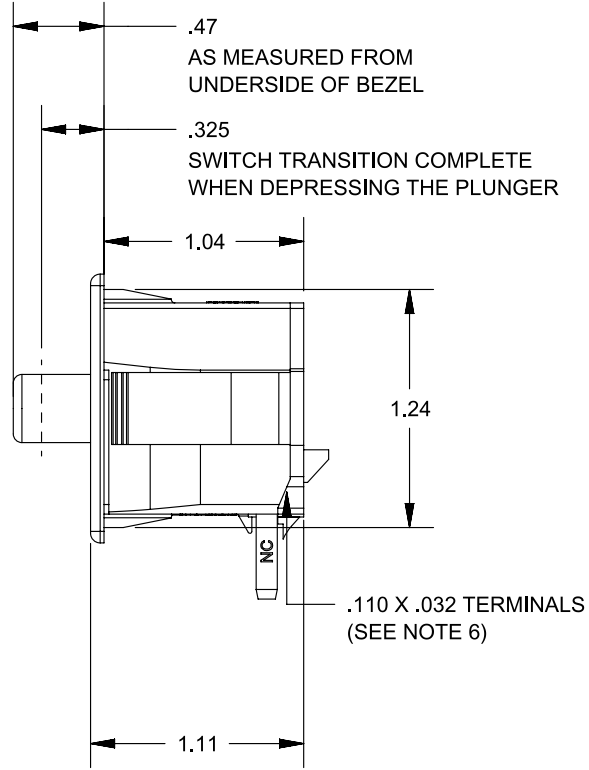
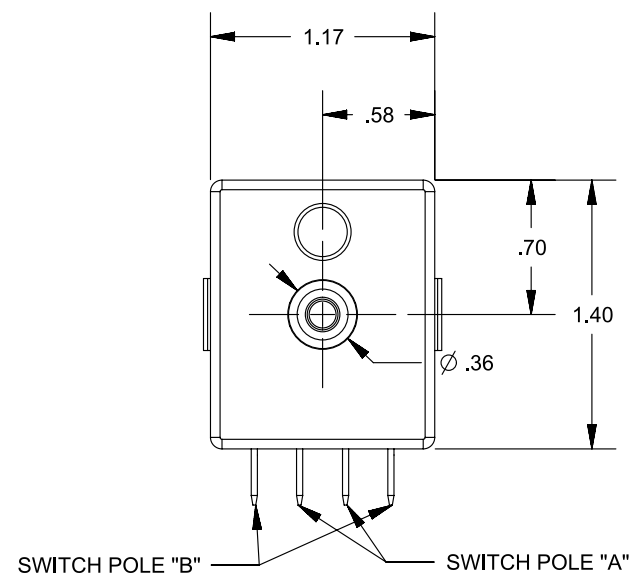
C

B

B

A

A



NOTES

- 1) TERMINALS ARE BRASS
- 2) ALL PLASTIC PARTS ARE POLYPROPYLENE
- 3) INTEGRITY OF WELD AND SWITCH FUNCTIONALITY TESTED AFTER ASSEMBLY
- 4) DATE CODE INDICATES YEAR, MONTH, AND DAY OF MONTH MANUFACTURED
- 5) MATING DELTA CONNECTOR IS P/N #96545 (SHORTING POLE "A") #96546 (NON SHORTING SERIES)
- 6) MATING TERMINAL IS PACKARD #12034046 (18-20 GA WIRE) #12066214 (14-16 GA WIRE)
- 7) RATED 3A @12-14VDC (CYCLES = 10K INDUCTIVE; 100K RESISTIVE)
- 8) FORCE TO DEPRESS PLUNGER .40 = 4.6±1.7 LB
- 9) THIS PRODUCT IS COVERED BY U.S. PATENT #6,207,910
- 10) MUST BE IN COMPLIANCE WITH DIRECTIVE 2002/95/EC OF THE EUROPEAN PARLIAMENT AND THE COUNCIL OF 27 JANUARY 2003 ON THE RESTRICTION OF THE USE OF CERTAIN HAZARDOUS SUBSTANCES IN ELECTRICAL AND ELECTRONIC EQUIPMENT (ROHS DIRECTIVE)
- 11) INTERPRET THIS DRAWING IN ACCORDANCE WITH ASME Y14.5-2009

<p>PROPRIETARY & CONFIDENTIAL THE INFORMATION CONTAINED IN THIS DRAWING IS THE SOLE PROPERTY OF DELTA SYSTEMS. ANY REPRODUCTION IN PART OR AS A WHOLE WITHOUT THE WRITTEN PERMISSION OF DELTA SYSTEMS IS PROHIBITED.</p> <p>DELTA SYSTEMS INC. DOES NOT ASSUME ANY LIABILITY ARISING OUT OF THE MISAPPLICATION OF ANY PRODUCT</p>	<p>UNLESS OTHERWISE SPECIFIED DIMENSIONS ARE IN INCHES TOLERANCES ARE:</p> <p>.X± .1 .XX± .02 .XXX± .005 X°± 1°</p> <p>COMPUTER GENERATED DRAWING - NO MANUAL CHANGES ALLOWED</p>	<p>DRAWN mschwenning</p>	<p>DATE 19-May-2015</p>	<p>DELTA SYSTEMS 1734 FROST ROAD STREETSBORO, OHIO 44241 330-626-2811 WWW.DELTASYSTEMSINC.COM</p>	
		<p>CHECKED pcolonna</p>	<p>DATE 19-May-2015</p>		
		<p>APPROVED ikirbawy</p>	<p>DATE 22-May-2015</p>		
		<p>MATERIAL SEE NOTES</p>	<p>PROJECTED VIEWS ARE 3RD ANGLE</p>		
<p>FINISH SEE NOTES</p>	<p>DO NOT SCALE DRAWING</p>	<p>STATUS DS4_Design</p>	<p>SIZE B</p>	<p>TITLE Plunger Switch NO-NC, Low Profile Application</p>	
		<p>SCALE NTS</p>	<p>SHEET 1 OF 1</p>	<p>PROJECT NO. EX360</p>	<p>REVISION 0</p>

8 7 6 5 4 3 2 1