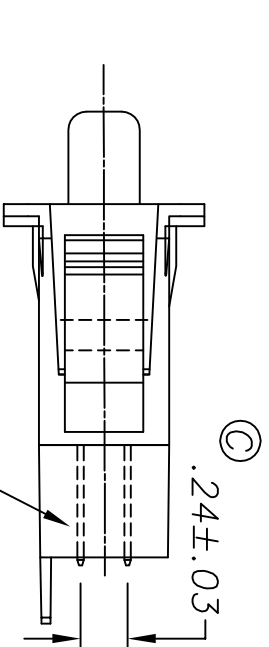
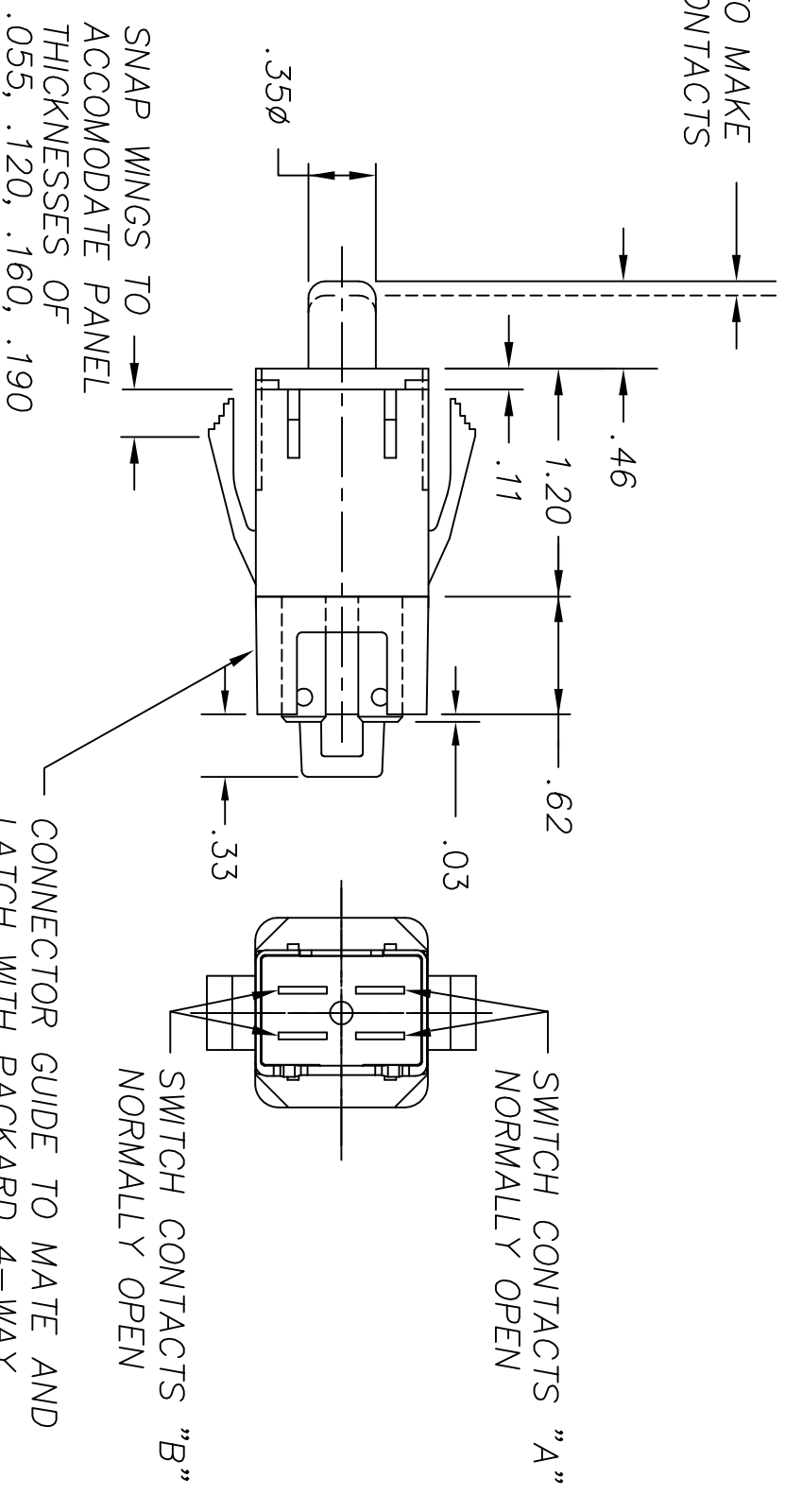
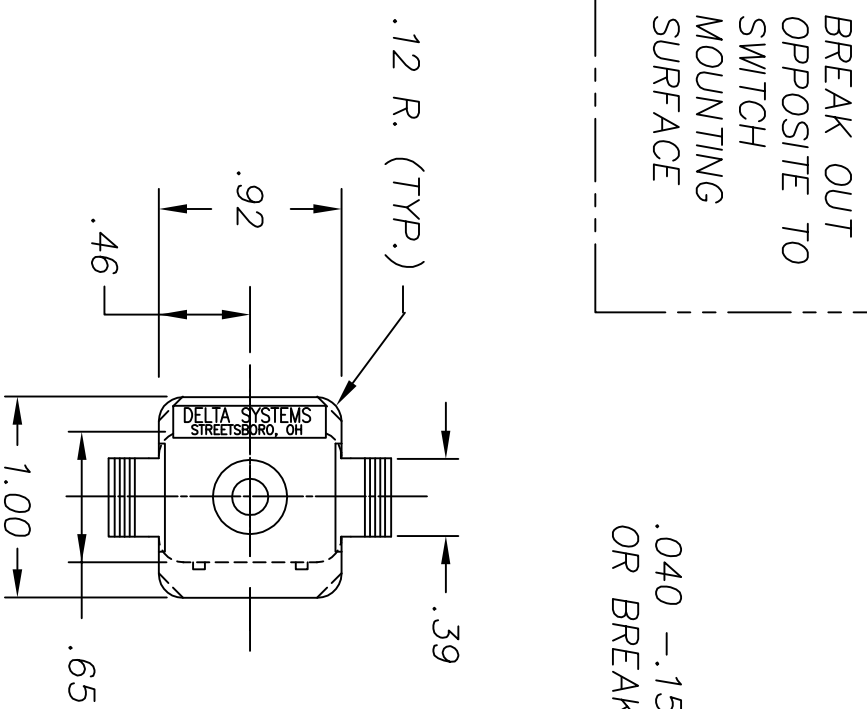
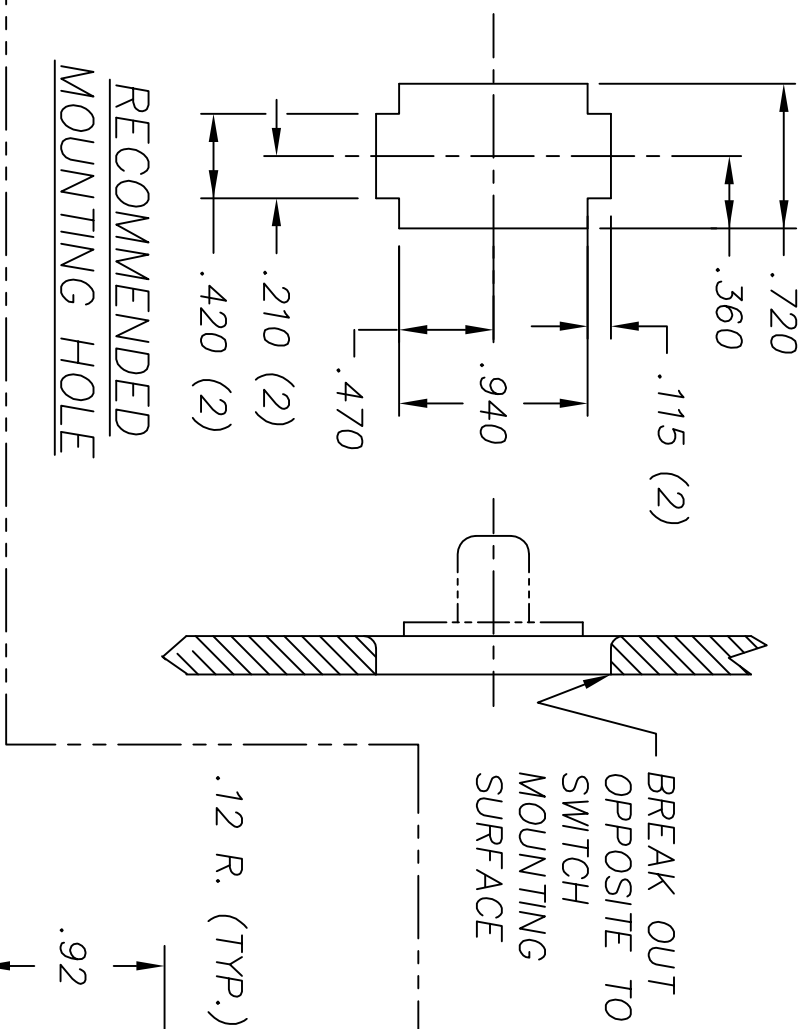


REVISIONS			
~	RELEASED FROM EX, CR 1428	10/11/01	JH
A	ADDED .33, .036 DIMS., CR1483	08/17/04	MA
B	.03 WAS .036, CN1443	07/30/07	MA
C	UPDATE MATERIAL & TOL. CR1908	07/21/10	ERB



NOTES:

- 1-PLASTIC PARTS-POLYPROPYLENE TERMINALS-NICKEL PLATED BRASS.
- 2-DATE CODE INDICATING YEAR, MONTH, AND DAY OF MONTH MANUFACTURED STAMPED ON HOUSING.
- 3-INTEGRITY OF WELD AND SWITCH FUNCTIONALITY TESTED AFTER ASSEMBLY.
- 4-THIS PRODUCT COVERED BY THE FOLLOWING U.S. PATENT: 4,812,604. OTHER PATENTS APPLIED FOR.

DELTA SYSTEMS, INC. DOES NOT ASSUME ANY LIABILITY ARISING OUT OF THE MISAPPLICATION OF ANY PRODUCT	
COMPUTER GENERATED DRAWING - NO MANUAL CHANGES ALLOWED	UNLESS OTHERWISE SPECIFIED DIMENSIONS ARE IN INCHES TOLERANCES ARE: .xxx± .02 .xxx± .005 ANG± 1°
DRAWN MA CHECKED JH MATERIAL SEE NOTE 1	DATE 10/20/00 DATE 10/11/01
FINISH HOUSING ~ BLACK REMAINDER ~ GRAY	
DO NOT SCALE DRAWING	

DELTA
 SYSTEMS INC.
 STREETSBORO, OHIO 44241

TITLE 6700 SERIES PLUNGER SWITCH, DOUBLE POLE - SNAP MOUNT

SIZE	DWG. NO.	PROJECT NO.	REV
B	6700-50B	EX-311	C

SCALE FULL