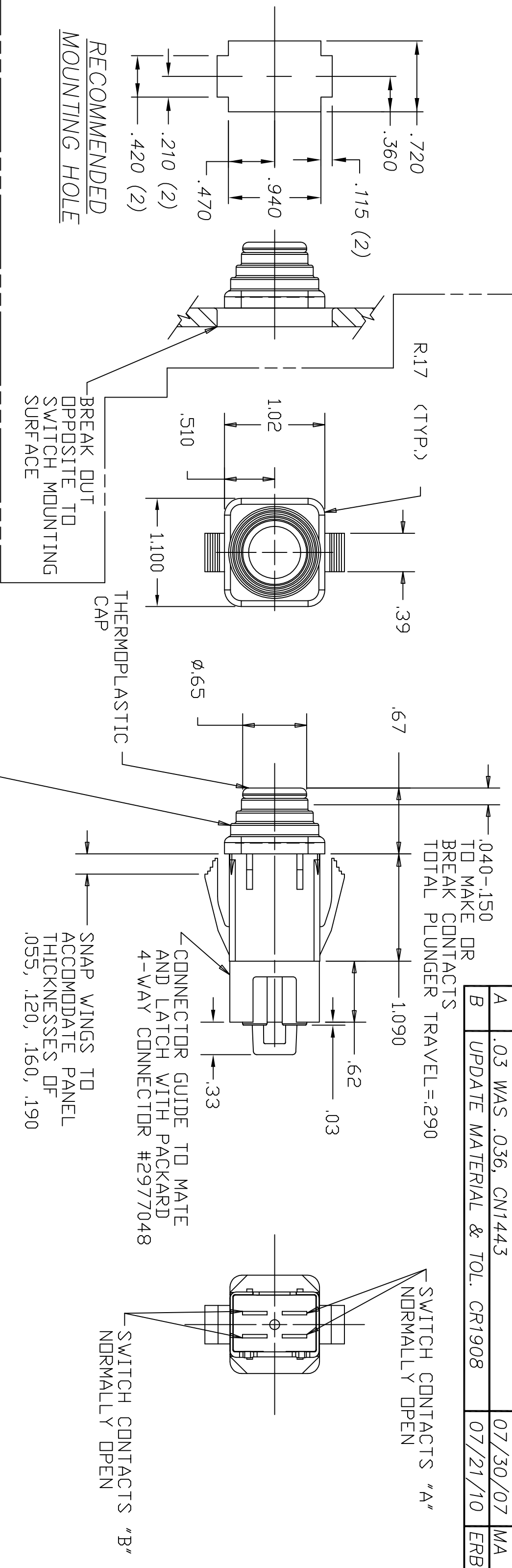


REVISIONS

A	.03 WAS .036, CN1443	07/30/07	MA
B	UPDATE MATERIAL & TOL. CR1908	07/21/10	ERB



NOTES:

- 1-PLASTIC PARTS-POLYPROPYLENE TERMINALS-NICKEL PLATED BRASS.
- 2-DATE CODE INDICATING YEAR, MONTH, AND DAY OF MONTH MANUFACTURED STAMPED ON HOUSING.
- 3-INTEGRITY OF WELD AND SWITCH FUNCTIONALITY TESTED AFTER ASSEMBLY.
- 4-THIS PRODUCT COVERED BY THE FOLLOWING U.S. PATENT: 4,812,604. OTHER PATENTS APPLIED FOR.
- 5-SWITCH HOUSING AND PLUNGER COVER ARE BLACK TERMINAL COVER IS GRAY.

DELTA SYSTEMS, INC. DOES NOT ASSUME ANY LIABILITY ARISING OUT OF THE MISAPPLICATION OF ANY PRODUCT	
DRAWN MA	DATE 11/21/03
CHECKED JM	DATE 08/17/04
MATERIAL SEE NOTES	
FINISH SEE NOTES	
UNLESS OTHERWISE SPECIFIED DIMENSIONS ARE IN INCHES TOLERANCES ARE: .XX± .02 .XXX± .005 ANG± 1°	
COMPUTER GENERATED DRAWING - NO MANUAL CHANGES ALLOWED	
DO NOT SCALE DRAWING	

DELTA
 SYSTEMS INC.
 STREETSBORO, OHIO 44241

TITLE
 N.O./N.O. 6710 SERIES
 SNAP MOUNT PLUNGER SWITCH

SIZE
 B

DWG. NO.
 6710-50B

SCALE
 FULL

PROJECT NO.
 EX357

REV
 B