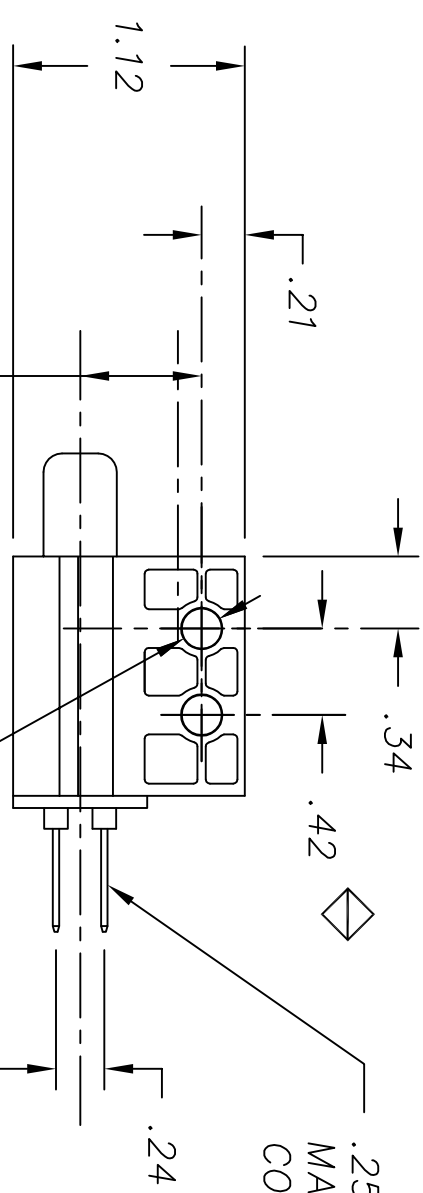
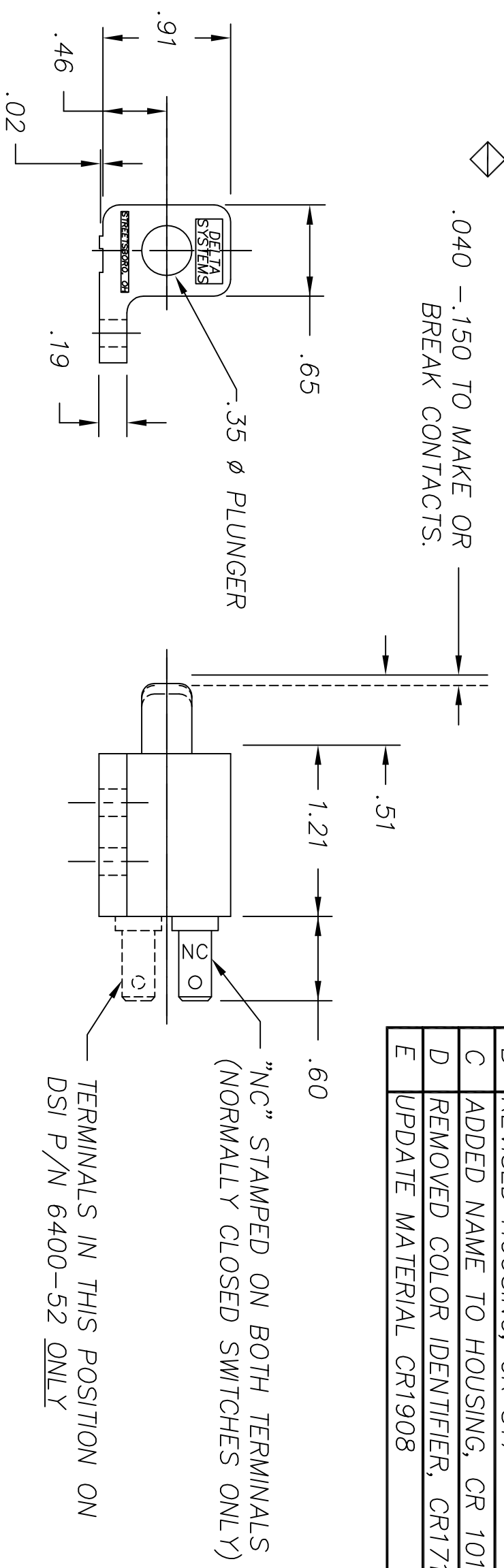


REVISIONS			
REV	DESCRIPTION	DATE	BY
A	ADDED NOTE 5	02/05/96	TW
B	REVISED HOUSING, CR 817	7/12/96	TW
C	ADDED NAME TO HOUSING, CR 1017	08/19/97	TW
D	REMOVED COLOR IDENTIFIER, CR1719	04/30/08	MA
E	UPDATE MATERIAL CR1908	07/21/10	ERB



**NOTES:**

- 1 - TERMINALS ARE NICKEL PLATED.
- 2 - PLASTIC PARTS ARE POLYPROPYLENE
- 3 - DATE CODE INDICATING YEAR, MONTH, AND DAY OF MONTH MANUFACTURED STAMPED ON HOUSING.
- 4 - INTEGRITY OF WELD & SWITCH FUNCTIONALITY TESTED AFTER ASSEMBLY.
- 5 - THIS PRODUCT COVERED BY THE FOLLOWING U.S. PATENT; 4,812,604. OTHER PATENTS APPLIED FOR.

DSI PART NO.	NO/NC	HOUSING/PLUNGER	BACK COVER
6400-51	N.C.	GRAY	OLIVE
6400-52	N.O.	GRAY	GRAY

DELTA SYSTEMS, INC. DOES NOT ASSUME ANY LIABILITY ARISING OUT OF THE MISAPPLICATION OF ANY PRODUCT

UNLESS OTHERWISE SPECIFIED DIMENSIONS ARE IN INCHES TOLERANCES ARE:  
 .XX# .020 .XXX# .010 ANG# 1°

DO NOT SCALE DRAWING

DRAWN	DATE	CHECKED	DATE
AJC	06/08/92	TW	06/08/92

MATERIAL NOTE 2  
FINISH SEE TABLE

**DELTA** SYSTEMS INC.  
STREETSBORO, OHIO 44241

6400 SERIES  
PLUNGER SWITCH

SIZE **B** DWG. NO. 6400-51,52 PROJECT NO. EX311 REV. **E**

SCALE FULL SHEET 1 OF 1