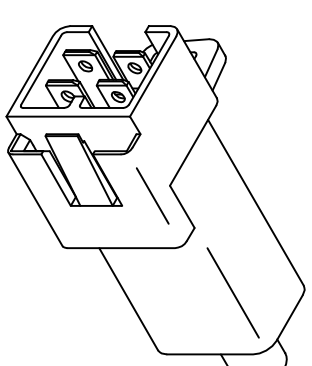
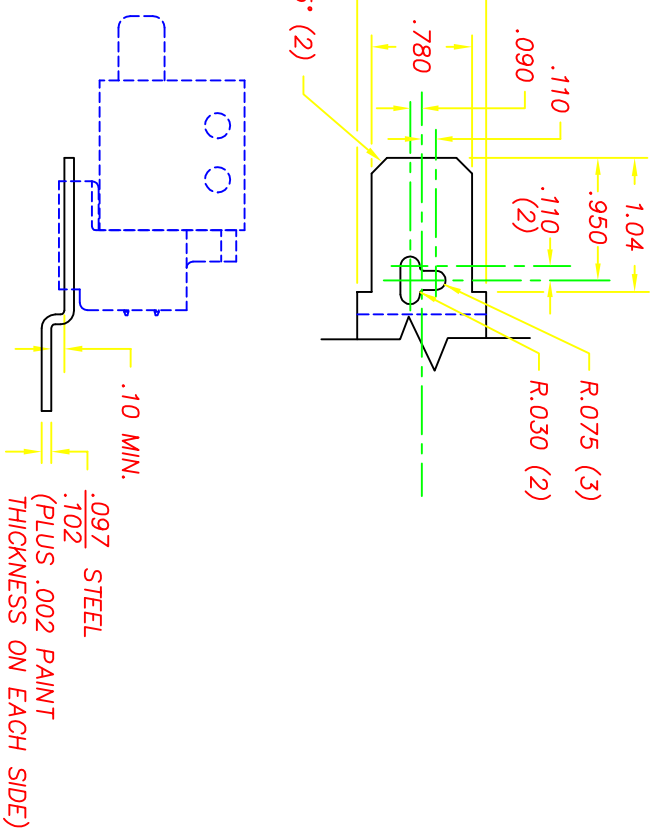


REVISIONS			
B	ADDED NOTE 6	02/05/96	TW
C	REVISED HOUSING, CR 817	7/12/96	TW
D	ADDED NAME TO HOUSING, CR1017	08/19/97	TW
E	REVISED BUTTON MATERIAL, CR 1075	01/07/98	JH
F	ADDED BREAK/MAKE NOTE, CR 1293	11/16/99	JH
G	BUTTON MAT'L WAS ACETAL, CR1517	07/01/03	MA
H	ADD NOTE 8, CN 0976	04/01/05	JH
J	UPDATE MATERIAL CR1908	07/21/10	ERB

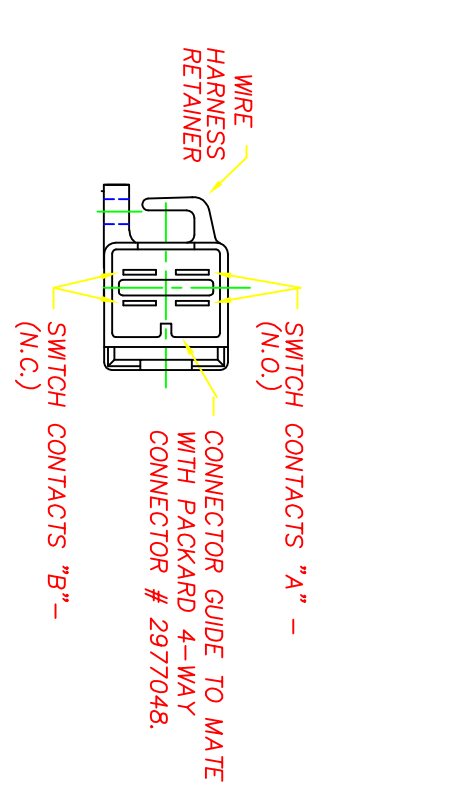
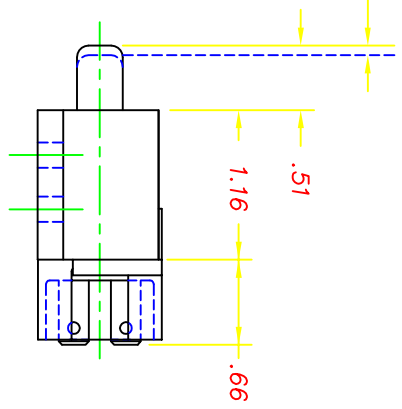
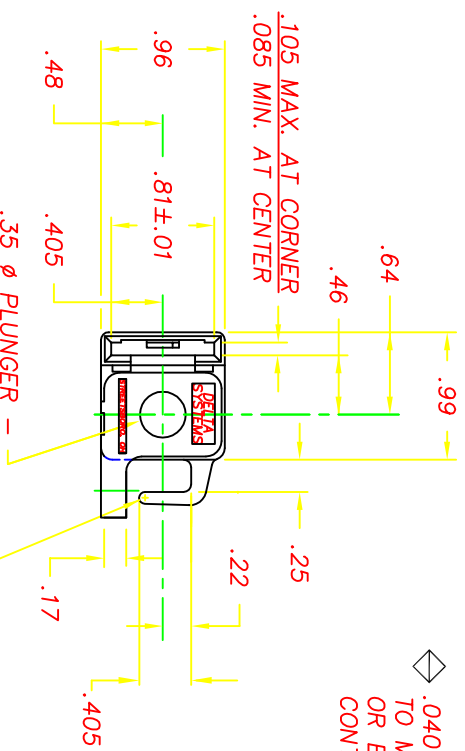
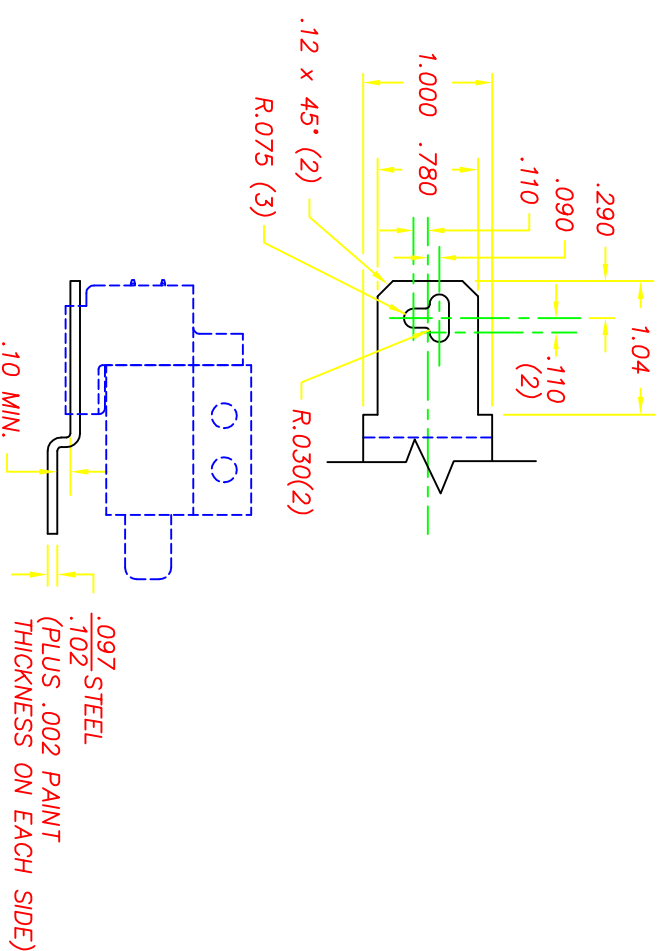


ISOMETRIC VIEW

RECOMMENDED MOUNTING TAB



RECOMMENDED MOUNTING TAB



NOTES:

- 1-"NC" STAMPED ON ALL NORMALLY CLOSED TERMINALS.
- 2-TERMINALS ARE NICKEL PLATED.
- 3-PLASTIC PARTS ARE POLYPROPYLENE.
- 4-DATE CODE INDICATING YEAR, MONTH, AND DAY OF MONTH MANUFACTURED STAMPED ON HOUSING.
- 5-INTEGRITY OF WELD & SWITCH FUNCTIONALITY TESTED AFTER ASSEMBLY.
- 6-THIS PRODUCT COVERED BY THE FOLLOWING U.S. PATENT: 4,812,604.
- 7-"NC" POLE BREAKS CONTACT BEFORE THE "NO"
- 8-HOUSING IS GRAY, COVER & PLUNGER ARE BLACK

DELTA SYSTEMS, INC. DOES NOT ASSUME ANY LIABILITY ARISING OUT OF THE MISAPPLICATION OF ANY PRODUCT		UNLESS OTHERWISE SPECIFIED DIMENSIONS ARE IN INCHES TOLERANCES ARE: .XX ± .02 .XXX ± .010 ANGE 1"	
DRAWN BAP 04/25/95	DATE 04/25/95	TITLE DECK PLUNGER SWITCH DOUBLE POLE (N.O./N.C.)	SYSTEMS INC. STREETSBORO, OHIO 44241
CHECKED TW 04/25/95	DATE 04/25/95	FINISH SEE NOTE 8	DWG. NO. 6400-83
COMPUTER GENERATED DRAWING - NO MANUAL CHANGES ALLOWED		DO NOT SCALE DRAWING	PROJECT NO. EX311
SCALE FULL		REV J	