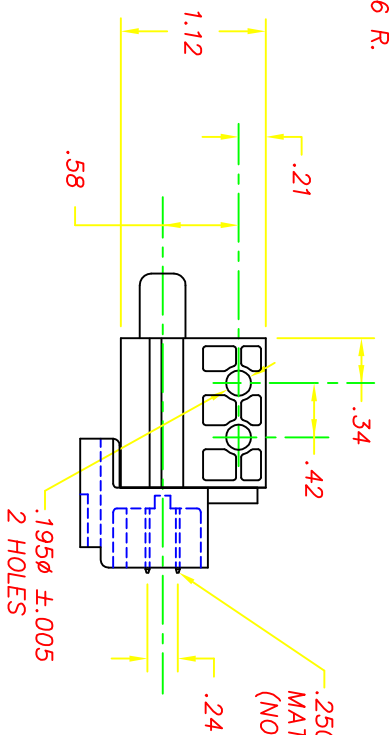
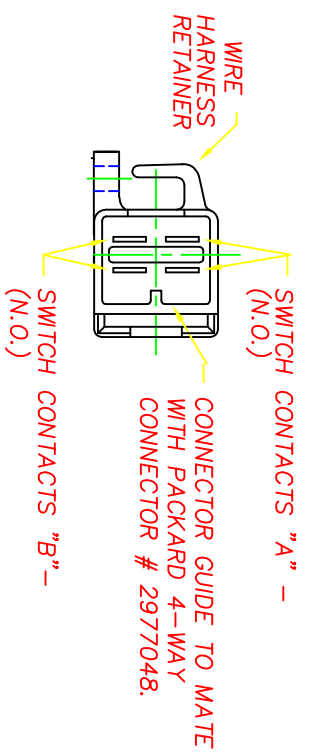
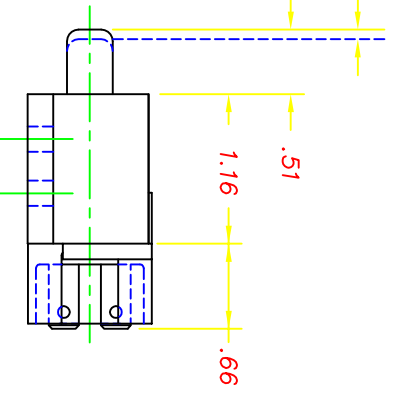
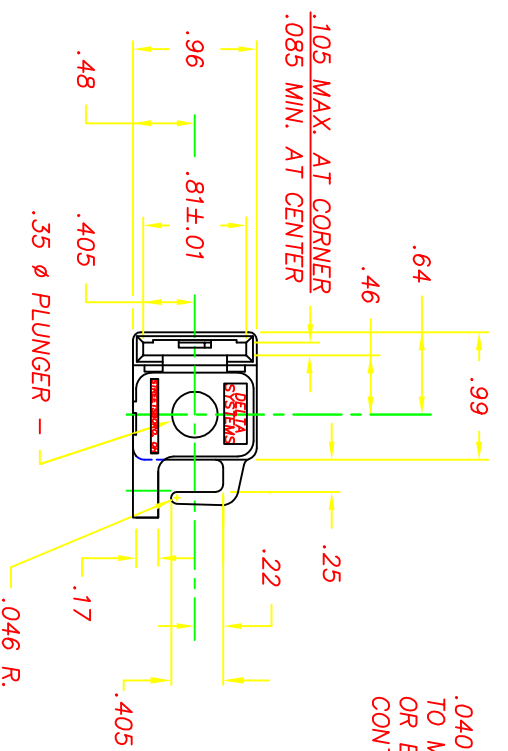
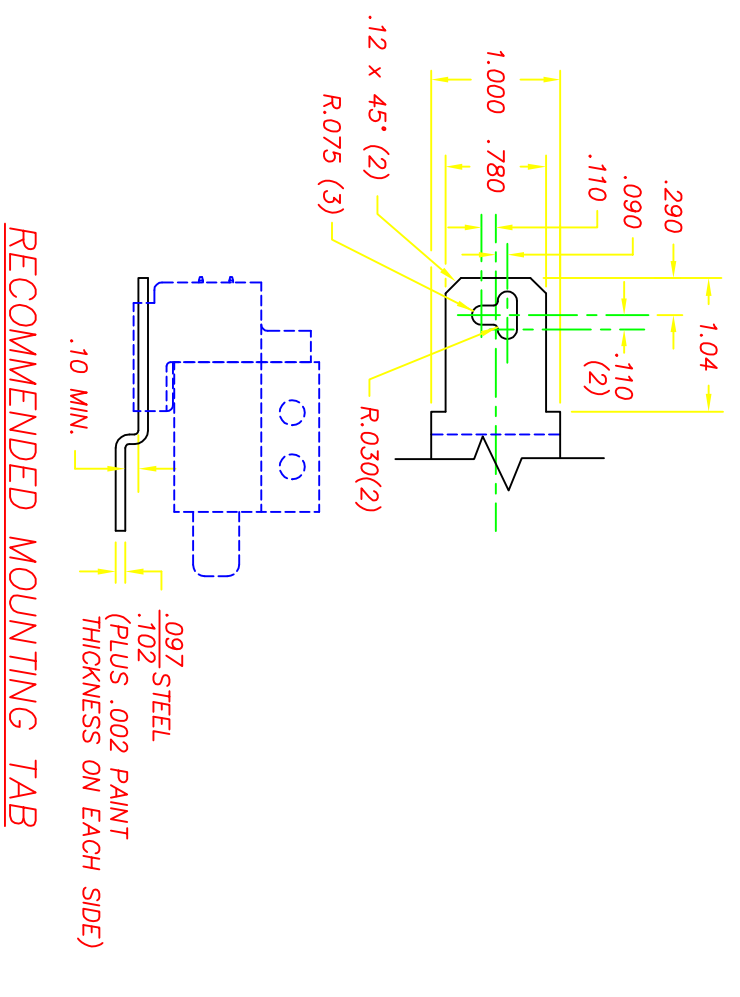
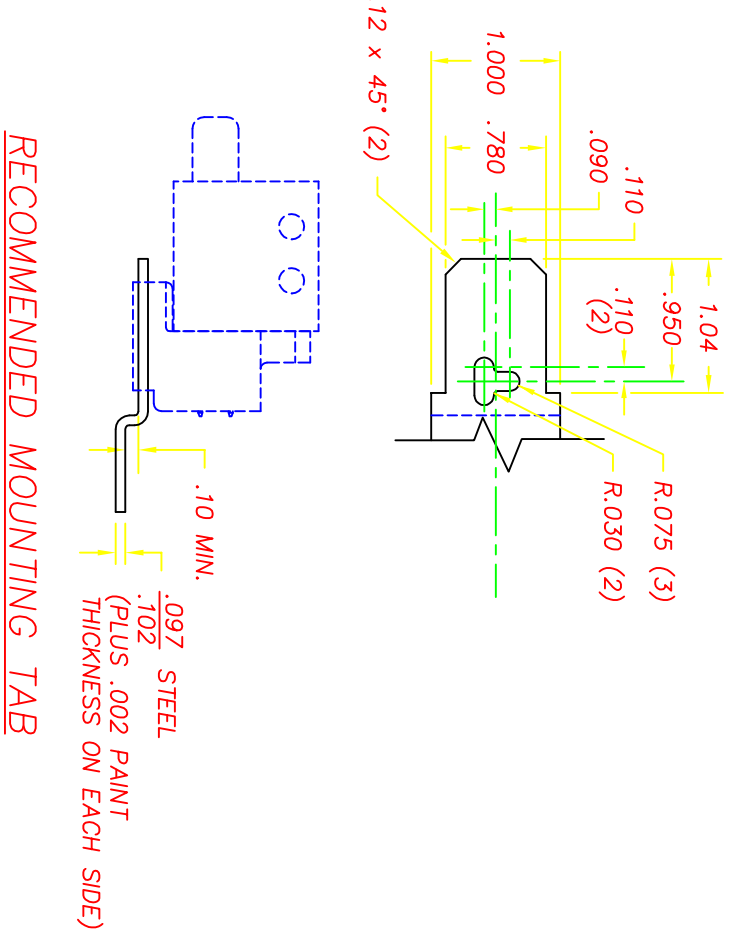
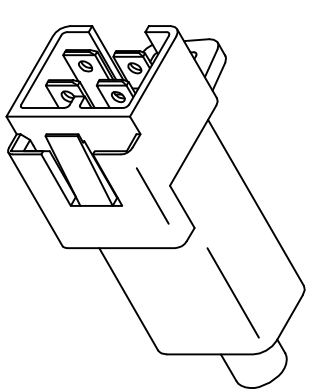


REVISIONS			
~	INITIAL RELEASE, CR 1431	05/30/01	JH
A	BUTTON MAT'L WAS ACETAL, CR1517	07/01/03	MA
B	UPDATE MATERIAL CR1908	07/21/10	ERB



.250 x .032 MALE TERMINALS (4)  
MATE WITH PACKARD 56 SERIES FEMALE (NOTE 2)

**NOTES:**

- 1-SWITCH BACKCOVER AND HOUSING ARE GRAY, BUTTON IS BLACK.
- 2-TERMINALS ARE NICKEL PLATED.
- 3-PLASTIC PARTS ARE POLYPROPYLENE.
- 4-DATE CODE INDICATING YEAR, MONTH, AND DAY OF MONTH MANUFACTURED STAMPED ON HOUSING.
- 5-INTEGRITY OF WELD & SWITCH FUNCTIONALITY TESTED AFTER ASSEMBLY.
- 6-THIS PRODUCT COVERED BY THE FOLLOWING U.S. PATENT: 4,812,604. OTHER PATENTS APPLIED FOR.

<p><b>DELTA</b> SYSTEMS INC. STREETSBORO, OHIO 44241</p>		<p>TITLE <b>DECK PLUNGER SWITCH DOUBLE POLE (N.O./N.O.)</b></p>	
<p>DRAWN <b>LMM</b> DATE <b>05/30/01</b></p>	<p>CHECKED <b>JH</b> DATE <b>05/30/01</b></p>	<p>FINISH <b>AS NOTED</b></p>	<p>SCALE <b>FULL</b></p>
<p>UNLESS OTHERWISE SPECIFIED DIMENSIONS ARE IN INCHES TOLERANCES ARE:</p>		<p>DWG. NO. <b>6400-93</b></p>	<p>PROJECT NO. <b>EX311</b></p>
<p>COMPUTER GENERATED DRAWING - NO MANUAL CHANGES ALLOWED</p>		<p>DO NOT SCALE DRAWING</p>	<p>REV <b>B</b></p>

DELTA SYSTEMS, INC. DOES NOT ASSUME ANY LIABILITY ARISING OUT OF THE MISAPPLICATION OF ANY PRODUCT