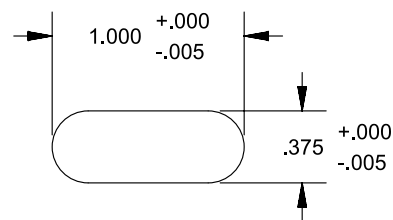


8 7 6 5 4 3 2 1

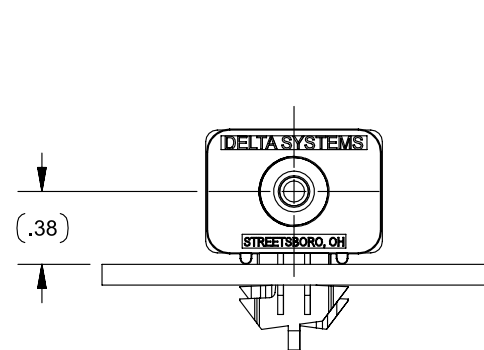
REVISIONS

REV.	DESCRIPTION	DATE	INIT
0	INITIAL RELEASE	12/13/17	IDK

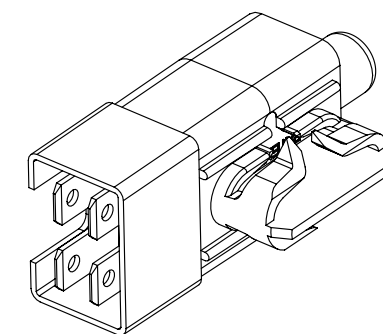
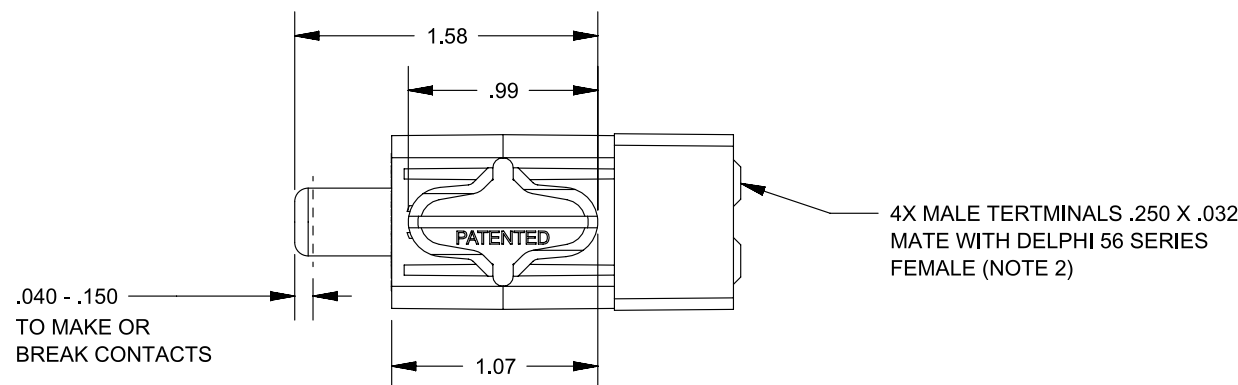
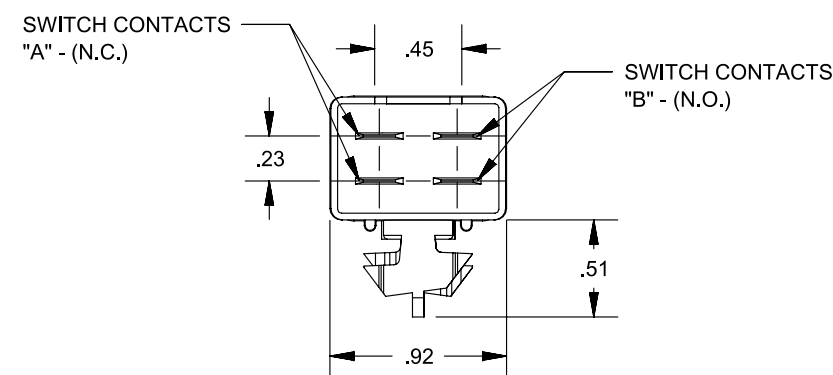
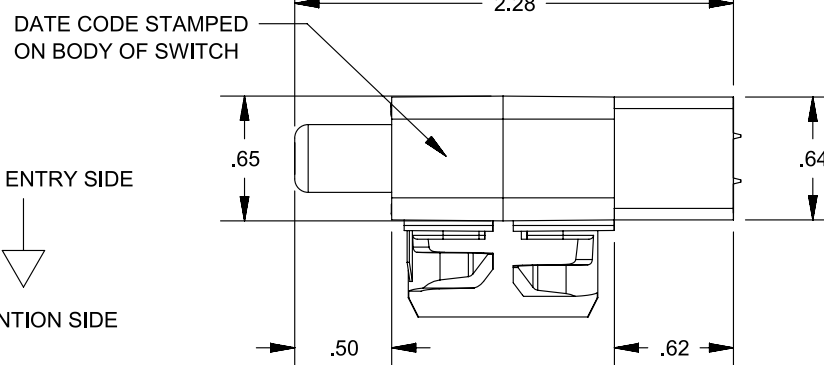


RECOMMENDED MOUNTING SLOT SWITCH WILL ACCEPT .108 & .170 PANEL THICKNESSES INCLUDING PAINT, DECALS, ETC

*SQUARE EDGE REQUIRED ON WING RETENTION SIDE OF SLOT



PUNCH ENTRY SIDE
RETENTION SIDE



NOTES

- 1)"NC" STAMPED ON ALL NORMALLY CLOSED TERMINALS
- 2) TERMINALS ARE NICKEL PLATED
- 3) PLASTIC PARTS ARE POLYPROPYLENE
- 4) DATE CODE INDICATING YEAR, MONTH, AND DAY OF MONTH MANUFACTURED MARKED ON HOUSING
- 5) INTEGRITY OF WELD & SWITCH FUNCTIONALITY TESTED AFTER ASSEMBLY
- 6) "NC" POLE BREAKS CONTACT BEFORE THE "NO" POLE MAKES CONTACT
- 7) TERMINALS ARE SEALED WITH ENCAPSULANT. PLUNGER IS UNSEALED. INSTALLED SWITCH TO HAVE TERMINALS POINTING UP VERTICALLY OR ABOVE HORIZONTAL PLANE
- 8) INTERPRET THIS DRAWING IN ACCORDANCE WITH ASME Y14.5-2009

PROPRIETARY & CONFIDENTIAL THE INFORMATION CONTAINED IN THIS DRAWING IS THE SOLE PROPERTY OF DELTA SYSTEMS. ANY REPRODUCTION IN PART OR AS A WHOLE WITHOUT THE WRITTEN PERMISSION OF DELTA SYSTEMS IS PROHIBITED.	UNLESS OTHERWISE SPECIFIED DIMENSIONS ARE IN INCHES TOLERANCES ARE: .X± .1 .XX± .02 .XXX± .005 X°± 1°	DRAWN ikirbawy	DATE 13-Dec-2017	1734 FROST ROAD STREETSBORO, OHIO 44241 330-626-2811 WWW.DELTASYSTEMSINC.COM			
		CHECKED bkral	DATE 14-Dec-2017				
		APPROVED ikirbawy	DATE 15-Dec-2017				
		MATERIAL AS NOTED	PROJECTED VIEWS ARE 3RD ANGLE 				
DELTA SYSTEMS INC. DOES NOT ASSUME ANY LIABILITY ARISING OUT OF THE MISAPPLICATION OF ANY PRODUCT	COMPUTER GENERATED DRAWING - NO MANUAL CHANGES ALLOWED	FINISH BLACK HOUSING GRAY PLUNGER/COVER DO NOT SCALE DRAWING	STATUS DS4_Design	TITLE Switch, Plunger, NO-NC, Splashproof Connector			
		SIZE B	DWG. NO. 6405-84_APP	SCALE NTS	SHEET 1 OF 1	PROJECT NO. 113	REVISION 0

8 7 6 5 4 3 2 1