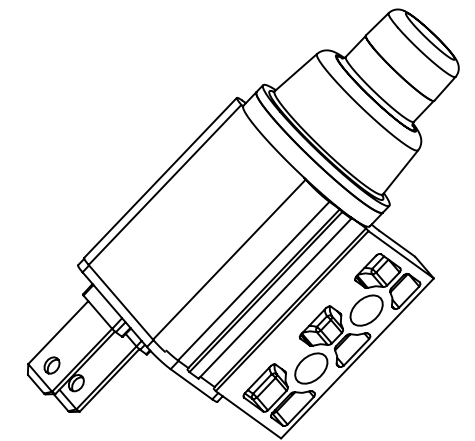
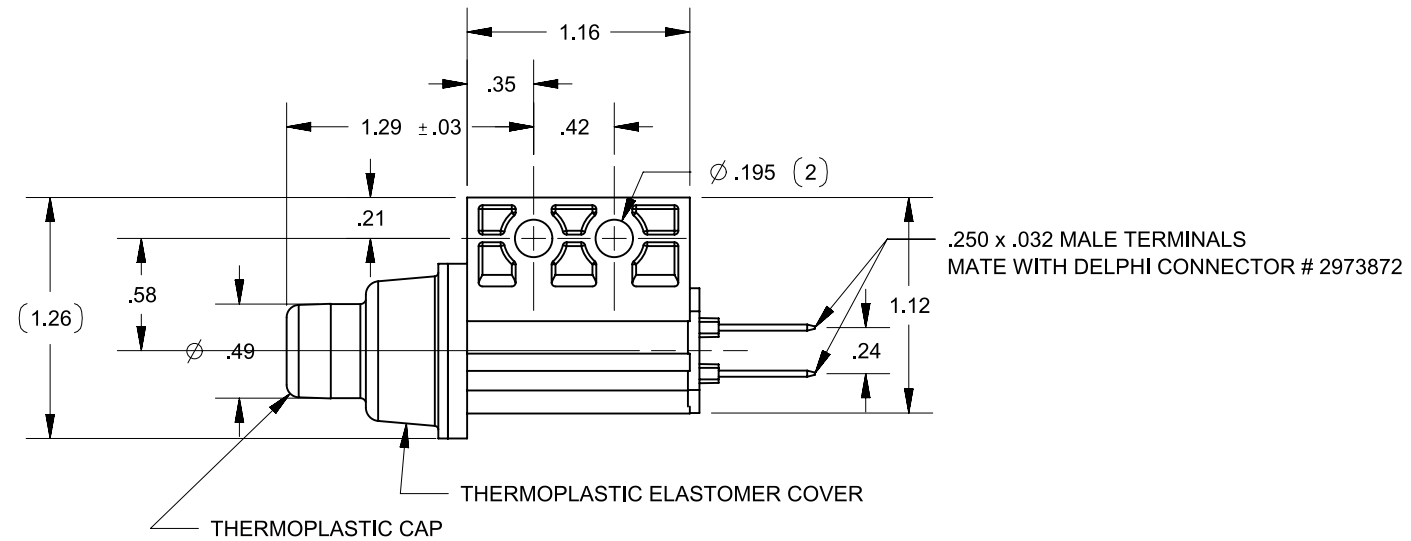
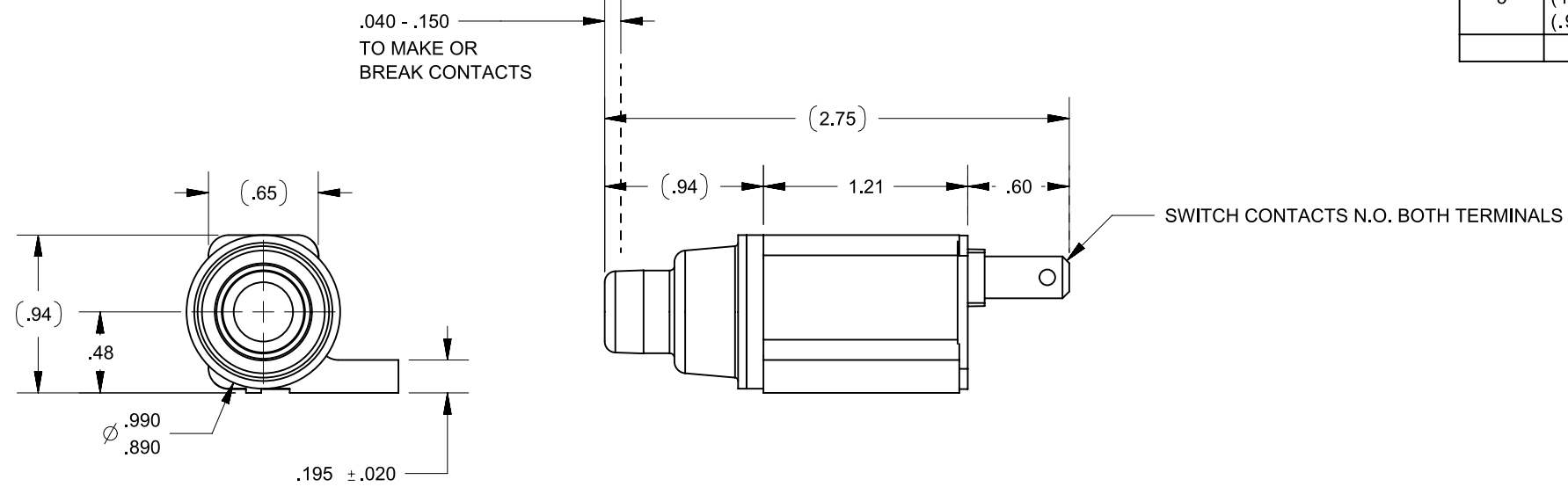


REVISIONS

REV.	DESCRIPTION	DATE	INIT
A	ADD PLUNGER TRAVEL NOTE, CR1225	11/19/98	JH
B	ADD THERMAL BOND NOTE, CR1268	10/28/99	JH
C	ADDED NOTES 8 AND 9, CR1671	05/01/07	MA
D	UPDATE MATERIAL CR1908	07/21/10	ERB
5	NX REDRAW, .47 MIN WAS .47, .58 WAS .59, (1.26) WAS 1.25, .195 WAS .19, .48 WAS .480, (.94) WAS .91, (.65) WAS .65	08/20/13	IDK



NOTES

- 1) TERMINALS ARE NICKEL PLATED
- 2) PLASTIC PARTS ARE POLYPROPYLENE
PROTECTIVE COVER IS THERMOPLASTIC ELASTOMER.
- 3) DATE CODE INDICATING YEAR, MONTH, & DAY OF MONTH
MANUFACTURED MARKED ON HOUSING PER DELTA SPEC 1640
- 4) INTEGRITY OF WELD & SWITCH FUNCTIONALITY TESTED AFTER ASSEMBLY.
- 5) THIS PRODUCT COVERED BY THE FOLLOWING U.S. PATENT; 4,812,604.
OTHER PATENTS APPLIED FOR.
- 6) TOTAL TRAVEL OF PLUNGER IS .47 MINIMUM FROM REST POSITION.
- 7) THERMALLY BONDED PLUNGER ASSEMBLY IS COMPLETELY SEALED.
TERMINALS ARE UNSEALED. INSTALLED SWITCH TO HAVE PLUNGER
POINTING UP VERTICALLY OR ABOVE HORIZONTAL PLANE.
- 8) MAX. OPERATING FORCE: 5.0 LBS. AT .400 TRAVEL.
- 9) ASSEMBLY IS RoHS COMPLIANT.

<p style="text-align: center;">PROPRIETARY & CONFIDENTIAL THE INFORMATION CONTAINED IN THIS DRAWING IS THE SOLE PROPERTY OF DELTA SYSTEMS. ANY REPRODUCTION IN PART OR AS A WHOLE WITHOUT THE WRITTEN PERMISSION OF DELTA SYSTEMS IS PROHIBITED.</p>	<p style="text-align: center;">UNLESS OTHERWISE SPECIFIED DIMENSIONS ARE IN INCHES TOLERANCES ARE:</p> <p style="text-align: center;">.X± .1 .XX± .02 .XXX± .005 X°± 1°</p>	DRAWN Imm	DATE 22-Sep-1998	 1734 FROST ROAD STREETSBORO, OHIO 44241 330-626-2811 WWW.DELTASYSTEMSINC.COM			
		CHECKED jharvey	DATE 22-Sep-1998				
		APPROVED ikirbawy	DATE 05-Sep-2013				
		MATERIAL SEE NOTES	PROJECTED VIEWS ARE 3RD ANGLE	TITLE Plunger Switch, NO, Sealed Plunger			
<p style="text-align: center;">DELTA SYSTEMS INC. DOES NOT ASSUME ANY LIABILITY ARISING OUT OF THE MISAPPLICATION OF ANY PRODUCT</p>	<p style="text-align: center;">COMPUTER GENERATED DRAWING - NO MANUAL CHANGES ALLOWED</p>	FINISH GRAY HOUSING, BLACK CAP/COVER		SIZE B	DWG. NO. 6410-54_APP		
DO NOT SCALE DRAWING	STATUS DS4_Design	SCALE NTS	SHEET 1 OF 1	PROJECT NO. EX358	REVISION 5		