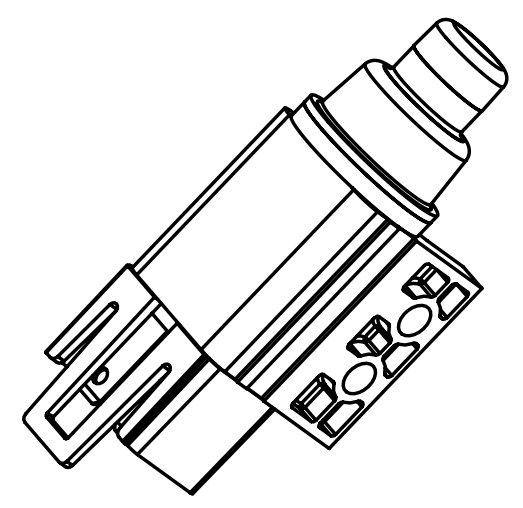
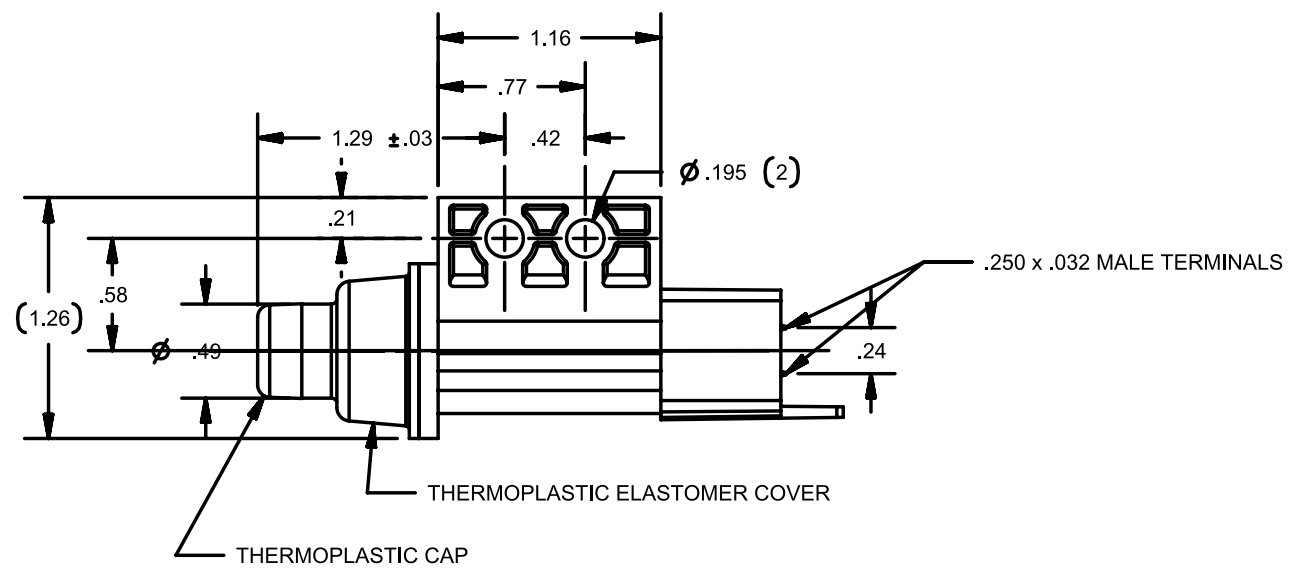
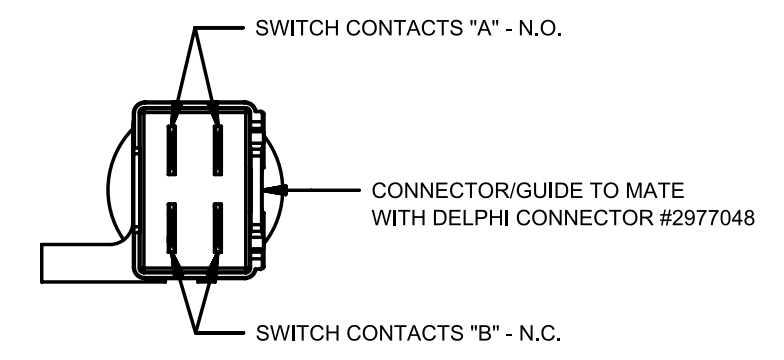
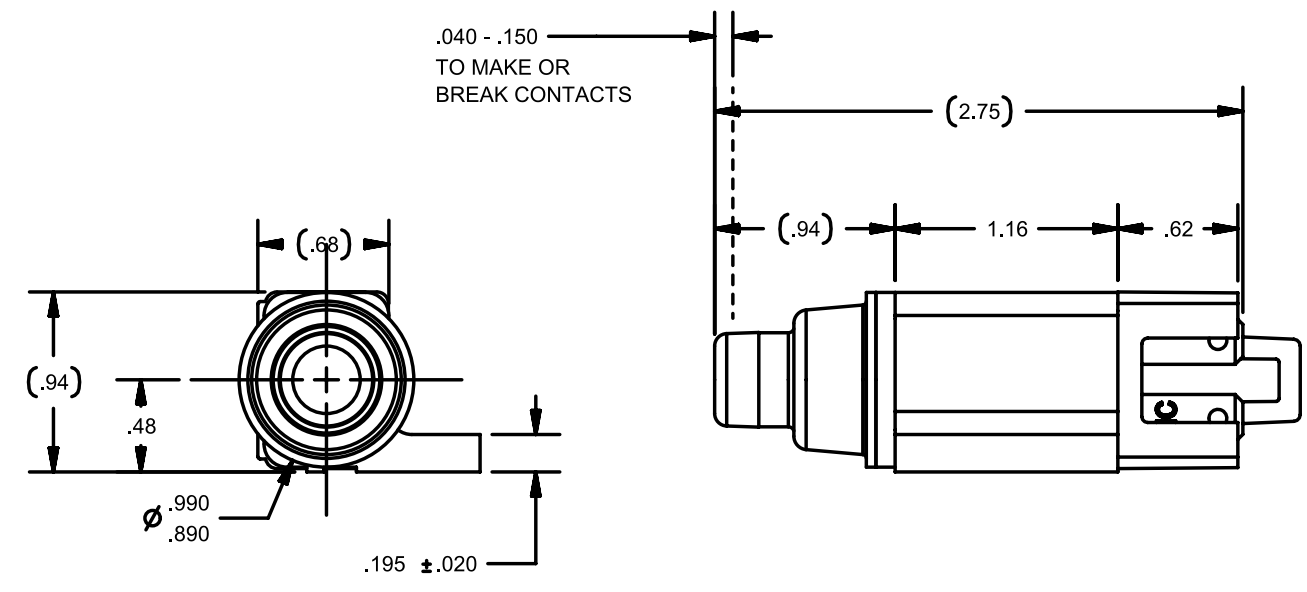


REVISIONS			
REV.	DESCRIPTION	DATE	INIT
-	INITIAL RELEASE	05/13/13	IDK
1	NX REDRAW, .47 MIN WAS .47, .58 WAS .59, (1.26) WAS 1.25, .195 WAS .19, .48 WAS .480, (.94) WAS .91, (.68) WAS .65	08/19/13	IDK



**NOTES**

- "NC" STAMPED ON ALL NORMALLY CLOSED TERMINALS.
- TERMINALS ARE NICKEL PLATED
- PLASTIC PARTS ARE POLYPROPYLENE  
PROTECTIVE COVER IS THERMOPLASTIC ELASTOMER.
- DATE CODE INDICATING YEAR, MONTH, & DAY OF MONTH  
MANUFACTURED MARKED ON HOUSING PER DELTA SPEC 1640
- INTEGRITY OF WELD & SWITCH FUNCTIONALITY TESTED AFTER ASSEMBLY.
- THIS PRODUCT COVERED BY THE FOLLOWING U.S. PATENT; 4,812,604.  
OTHER PATENTS APPLIED FOR.
- TOTAL TRAVEL OF PLUNGER IS .47 MINIMUM FROM REST POSITION.
- THERMALLY BONDED PLUNGER ASSEMBLY IS COMPLETELY SEALED.  
TERMINALS ARE UNSEALED. INSTALLED SWITCH TO HAVE PLUNGER  
POINTING UP VERTICALLY OR ABOVE HORIZONTAL PLANE.
- "NC" POLE BREAKS CONTACT BEFORE THE "NO"  
POLE MAKES CONTACT.
- MAX. OPERATING FORCE: 5.0 LBS. AT .400 TRAVEL.
- ASSEMBLY IS RoHS COMPLIANT.

PROPRIETARY & CONFIDENTIAL  
THE INFORMATION CONTAINED IN  
THIS DRAWING IS THE SOLE  
PROPERTY OF DELTA SYSTEMS.  
ANY REPRODUCTION IN PART OR  
AS A WHOLE WITHOUT THE  
WRITTEN PERMISSION OF DELTA  
SYSTEMS IS PROHIBITED.

DELTA SYSTEMS INC. DOES NOT  
ASSUME ANY LIABILITY ARISING  
OUT OF THE MISAPPLICATION OF  
ANY PRODUCT

UNLESS OTHERWISE  
SPECIFIED DIMENSIONS  
ARE IN INCHES  
TOLERANCES ARE:

.X± .1  
.XX± .02  
.XXX± .005  
X\*± 1\*

COMPUTER GENERATED  
DRAWING - NO MANUAL  
CHANGES ALLOWED

DRAWN ikirbaw	DATE 13-May-2013
CHECKED bkirkman	DATE 20-Aug-2013
APPROVED ikirbaw	DATE 05-Sep-2013
MATERIAL SEE NOTES	PROJECTED VIEWS ARE 3RD ANGLE
FINISH GRAY HOUSING/COVER, BLACK CAP	
DO NOT SCALE DRAWING	STATUS DS4_Design

**DELTA SYSTEMS**  
1734 FROST ROAD  
STREETSBORO, OHIO 44241  
330-626-2811  
WWW.DELTASYSTEMSINC.COM

TITLE  
Plunger Switch, NO/NC, Sealed Plunger,  
Latching Connector

SIZE **B** DWG. NO. 6410-63\_APP

SCALE NTS SHEET 1 OF 1 PROJECT NO. REVISION 1