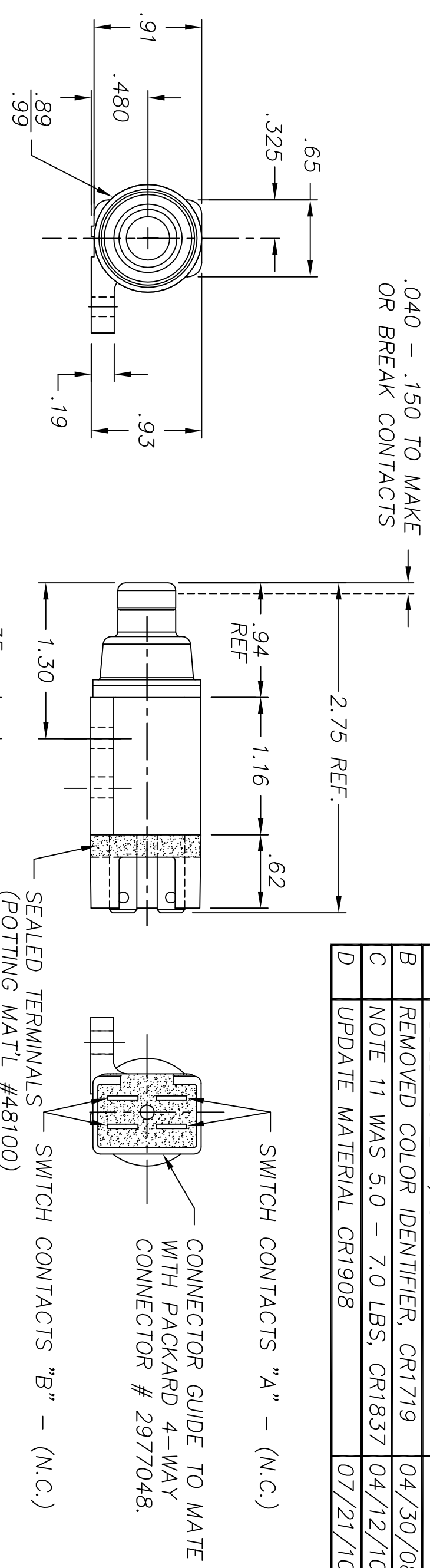
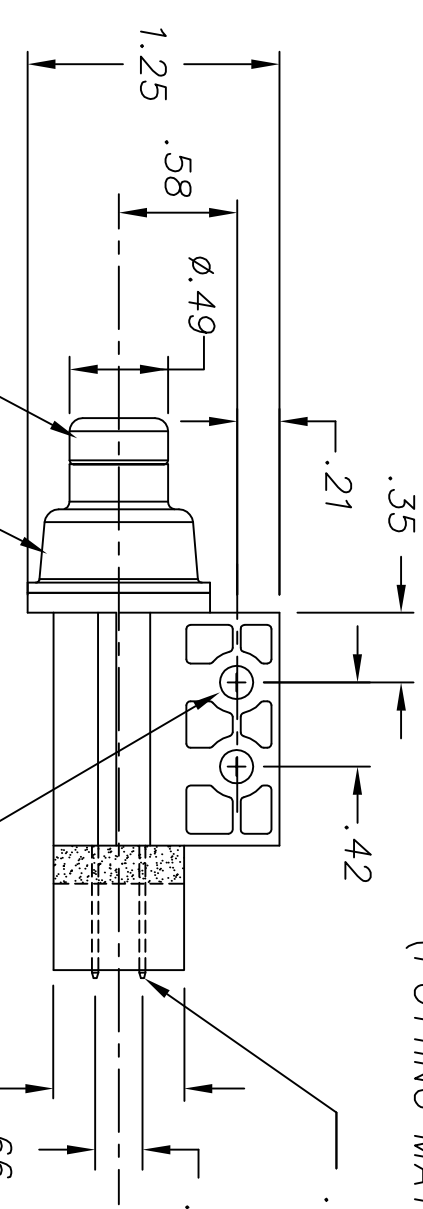


REVISIONS			
A	NOTE 10 WAS 3.5±1.0 LBS. AT .300	05/01/07	MA
"	ADDED NOTE 11, CR 1671	"	"
B	REMOVED COLOR IDENTIFIER, CR1719	04/30/08	MA
C	NOTE 11 WAS 5.0 - 7.0 LBS, CR1837	04/12/10	CAK
D	UPDATE MATERIAL CR1908	07/21/10	ERB



.040 - .150 TO MAKE  
OR BREAK CONTACTS



.250 x .032 MALE TERMINALS (4)

SEALING MATERIAL #48100

SWITCH CONTACTS "A" - (N.C.)

CONNECTOR GUIDE TO MATE  
WITH PACKARD 4-WAY  
CONNECTOR # 2977048.

**NOTES:**

- 1-"NC" STAMPED ON ALL NORMALLY CLOSED TERMINALS.
- 2-TERMINALS ARE NICKEL PLATED
- 3-PLASTIC PARTS ARE POLYPROPYLENE
- PROTECTIVE COVER IS THERMOPLASTIC ELASTOMER.
- 4-CAP AND COVER ARE BLACK, HOUSING IS GRAY, BACK COVER IS OLIVE.
- 5-DATE CODE INDICATING YEAR, MONTH, & DAY OF MONTH MANUFACTURED STAMPED ON HOUSING.
- 6-INTEGRITY OF WELD & SWITCH FUNCTIONALITY TESTED AFTER ASSEMBLY.
- 7-THIS PRODUCT COVERED BY THE FOLLOWING U.S. PATENT: 4,812,604. OTHER PATENTS APPLIED FOR.
- 8-TOTAL TRAVEL OF PLUNGER IS .47 FROM REST POSITION.
- 9-ELECTRICAL RATING: 3A @ 12-14VDC.
- 10-CONNECTION EFFORT: UP TO 10 LBS. PER TERMINAL
- 11-OPERATING FORCE: 3.5 - 7.3 LBS. AT .400 TRAVEL
- 12-ASSEMBLY IS ROHS COMPLIANT.

DELTA SYSTEMS, INC. DOES NOT ASSUME ANY LIABILITY ARISING OUT OF THE MISAPPLICATION OF ANY PRODUCT

COMPUTER GENERATED DRAWING - NO MANUAL CHANGES ALLOWED

UNLESS OTHERWISE SPECIFIED DIMENSIONS ARE IN INCHES TOLERANCES ARE:  
.XX± .02 .XXX± .010 ANGLE  
DO NOT SCALE DRAWING

DRAWN	DATE
JAB	05/18/99
CHECKED	DATE
MA	05/08/07
MATERIAL AS NOTED	
FINISH AS NOTED	
AS NOTED	

**DELTA**  
SYSTEMS INC.  
STREETSBORO, OHIO 44241

TITLE: N.C./N.C. SEALED PLUNGER SWITCH

SIZE: B

DWG. NO.: 6420-03

SCALE: FULL

PROJECT NO.: EX363

REV: D