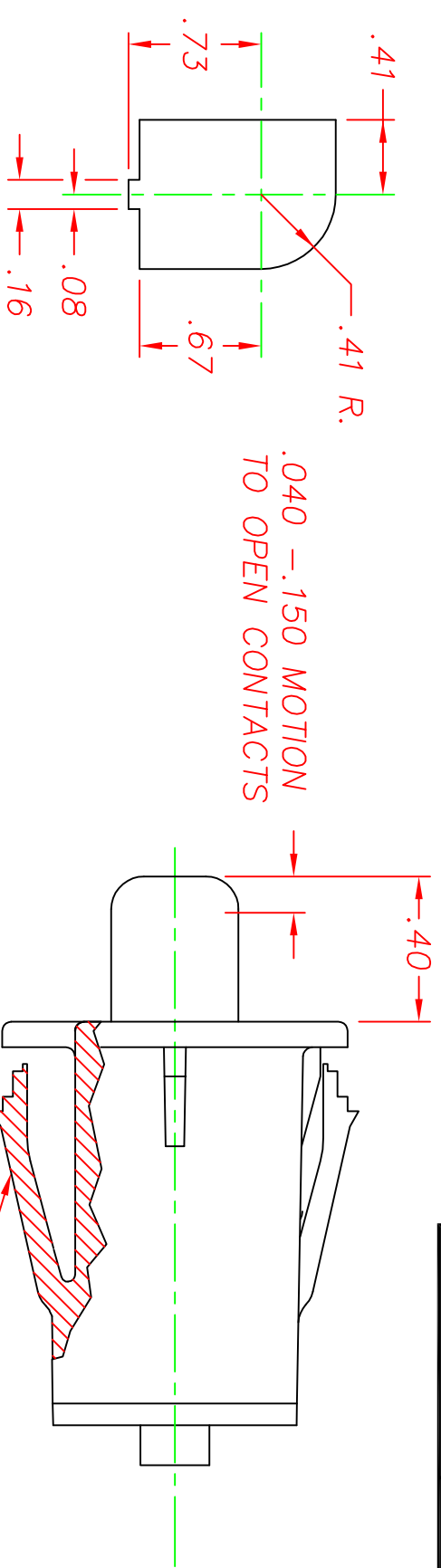
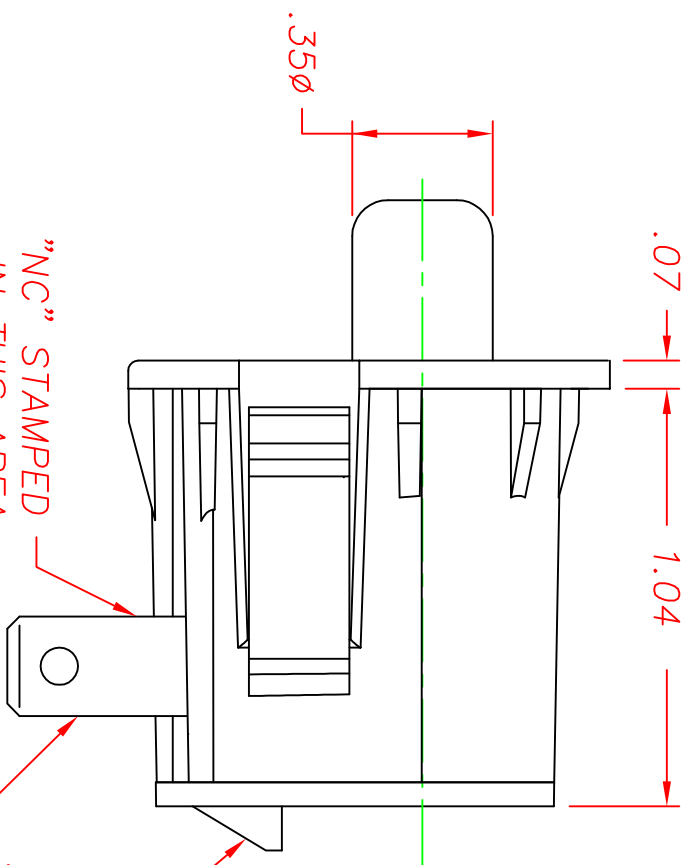
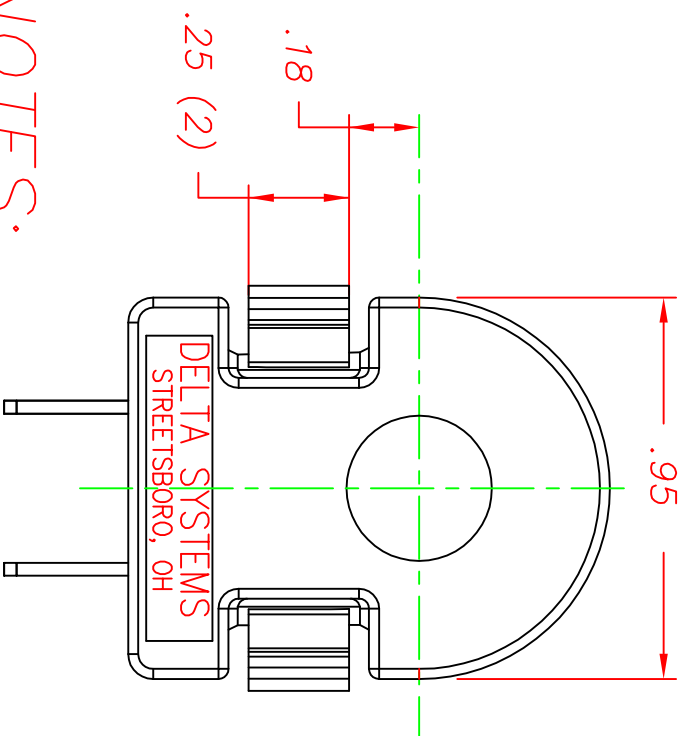


REVISIONS		
~	INITIAL RELEASE, CN 1131	05/09/06 MA
1	CORRECTED PLASTIC PART MATERIAL	
	(NOTE 1)	07/25/17 IDK



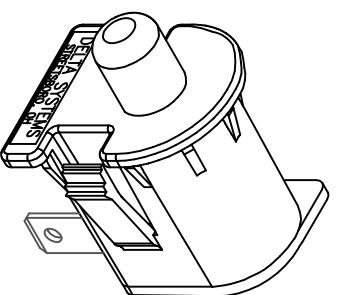
.040 - .150 MOTION TO OPEN CONTACTS

SUGGESTED MOUNTING HOLE  
(SCALE: FULL)

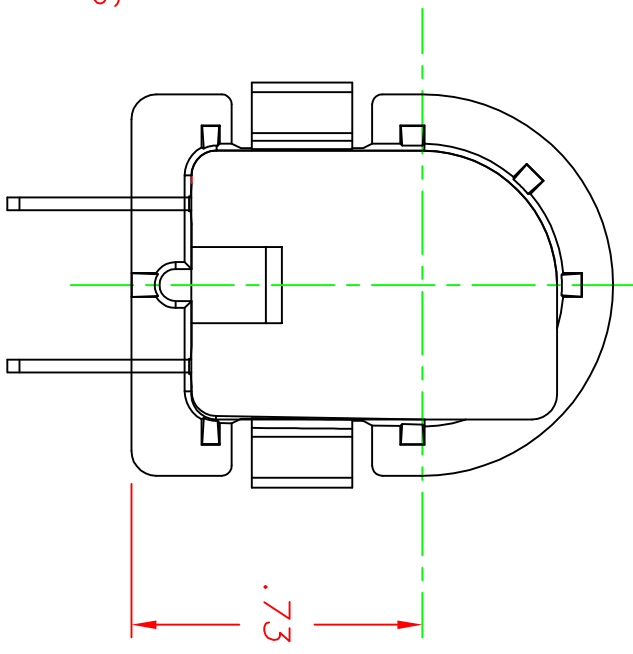


SNAP WINGS TO ACCOMMODATE PANEL THICKNESSES OF .055, .115, AND .140, INCLUDING PAINT AND DECALS.

"NC" STAMPED IN THIS AREA  
TERMINAL PATTERN & LOCKING TAB TO MATE WITH EITHER DSI 96525 SERIES OR 96526 SERIES CONNECTORS  
.25 x .032 MALE BLADE TERMINALS (2)



ISOMETRIC VIEW



NOTES:

- 1-PLASTIC PARTS ARE FLAME RETARDANT POLYPROPYLENE TERMINALS ARE NICKEL-PLATED BRASS. INTERNAL CONTACT IS BERYLLIUM COPPER.
- 2-PART NO. AND DATE CODE INDICATING YEAR, MONTH, AND DAY OF MONTH MANUFACTURED STAMPED ON HOUSING.
- 3-INTEGRITY OF WELD & SWITCH FUNCTIONALITY TESTED AFTER ASSEMBLY.
- 4-THIS PRODUCT COVERED BY THE FOLLOWING U.S. PATENT; 4,812,604. OTHER PATENTS APPLIED FOR.
- 5-ELECTRICAL RATING: 5A @ 12-14 VDC.
- 6-LIFE AT RATED LOAD: 10K CYCLES INDUCTIVE, 75K CYCLES RESISTIVE.
- 7-MECHANICAL LIFE: 300,000 CYCLES.
- 8-OPERATING TEMPERATURE: -20°F TO 150°F.
- 9-CONNECTION EFFORT: UP TO 10 LBS. PER TERMINAL
- 10-THIS SWITCH IS RECOGNIZED UNDER CATEGORY UL583. (INDUSTRIAL TRUCK ACCESSORIES, BATTERY POWERED-COMPONENT, FILE# YCFT2.AU3028)

DELTA SYSTEMS, INC. DOES NOT ASSUME ANY LIABILITY ARISING OUT OF THE MISAPPLICATION OF ANY PRODUCT	
UNLESS OTHERWISE SPECIFIED DIMENSIONS ARE IN INCHES TOLERANCES ARE: .XXX# .02 .XXX# .005 ANG# 1°	
DO NOT SCALE DRAWING	

DRAWN	DATE	MA	01/24/06
CHECKED	DATE	JM	01/26/06
MATERIAL NOTE 1			
FINISH WHITE			

DELTA SYSTEMS INC.  
STREETSBORO, OHIO 44241

SNAP-MOUNT SWITCH  
NORMALLY CLOSED

SIZE	B	DWG. NO.	6440-17	PROJECT NO.	EX-311	REV	1
SCALE	2X	SHEET	1	OF	1		