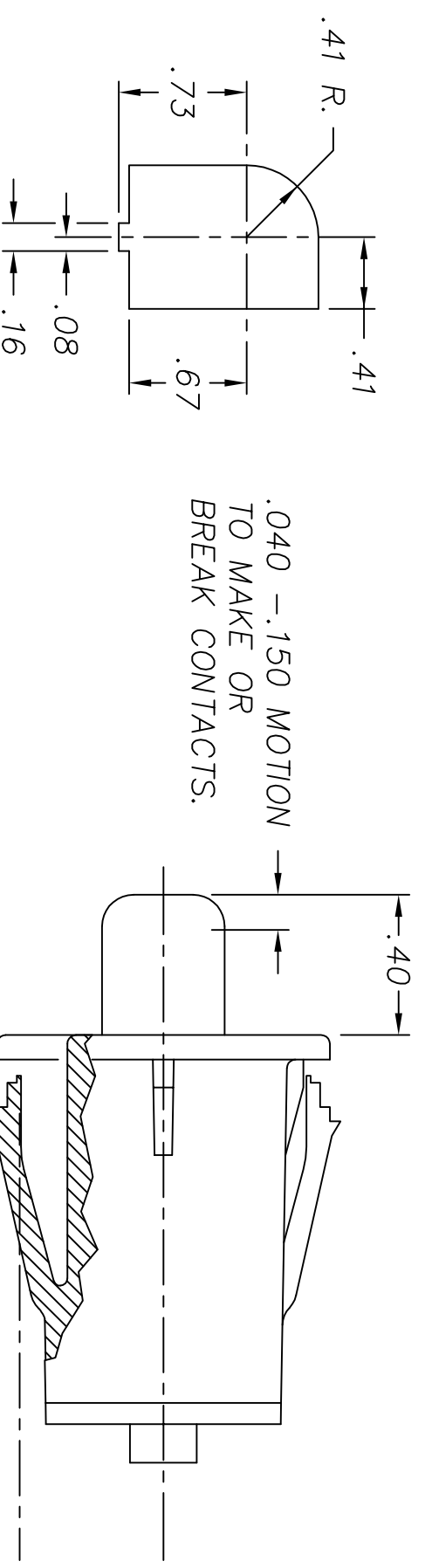
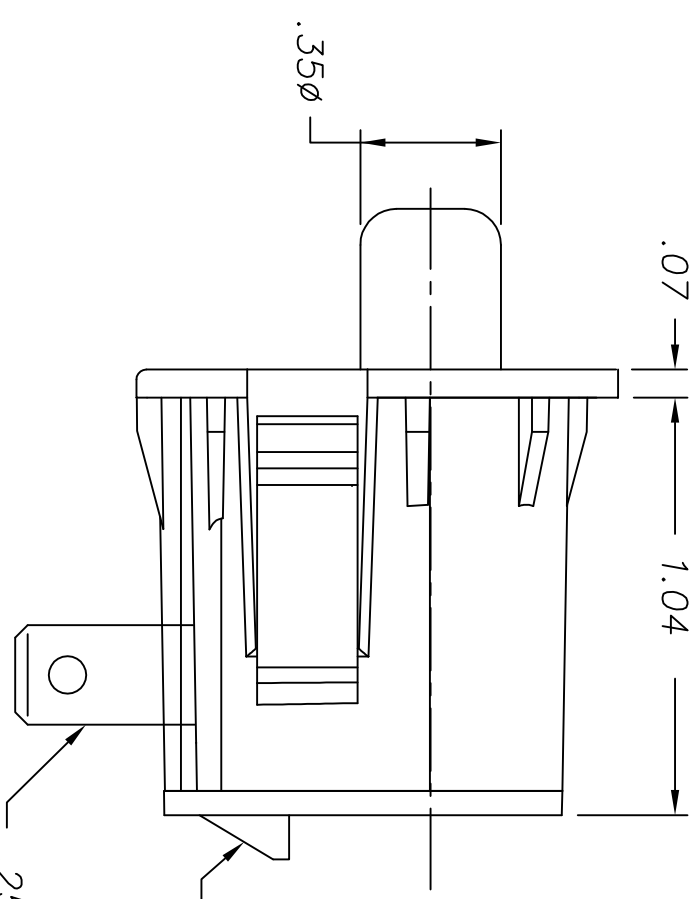
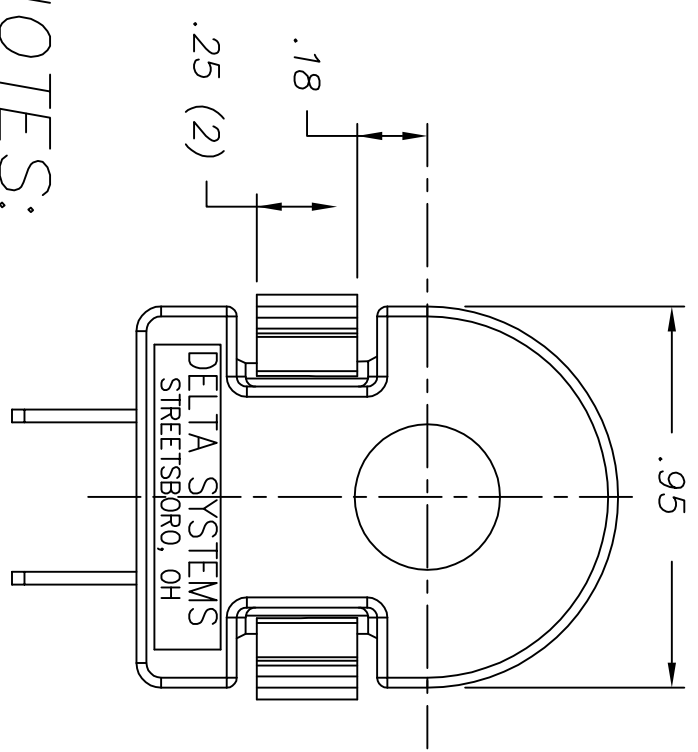


REVISIONS			
~	INITIAL RELEASE, CR 1719	04/30/08	MA
A	UPDATE MATERIAL CR1908	07/21/10	ERB

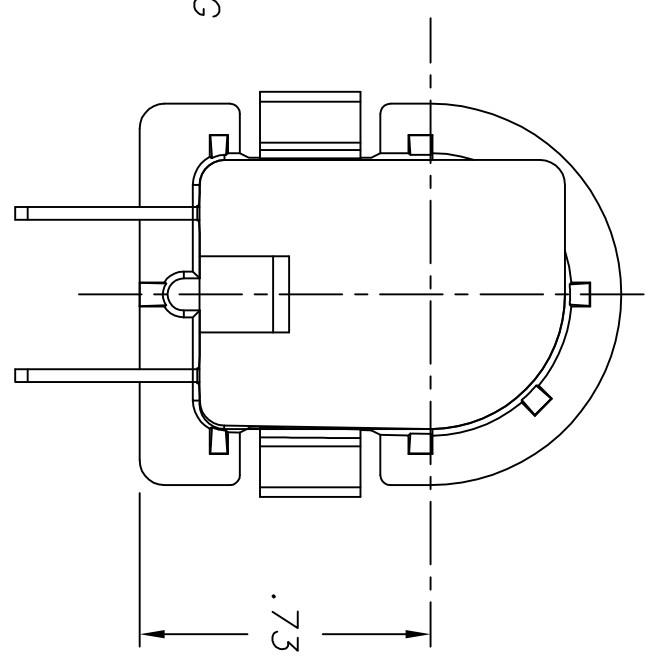


SUGGESTED MOUNTING HOLE
(SCALE: FULL)

SNAP WINGS TO ACCOMMODATE PANEL THICKNESSES OF .055, .115, AND .140, INCLUDING PAINT AND DECALS.



TERMINAL PATTERN & LOCKING TAB TO MATE WITH EITHER DSI 96525 SERIES OR 96526 SERIES CONNECTORS



NOTES:

- 1 - PLASTIC PARTS ARE POLYPROPYLENE TERMINALS ARE NICKEL-PLATED BRASS.
- 2 - HOUSING AND BACK COVER ARE BLACK, PLUNGER IS OLIVE.
- 2 - DATE CODE INDICATING YEAR, MONTH, AND DAY OF MONTH MANUFACTURED STAMPED ON HOUSING.
- 3 - INTEGRITY OF WELD & SWITCH FUNCTIONALITY TESTED AFTER ASSEMBLY.
- 4 - THIS PRODUCT COVERED BY THE FOLLOWING U.S. PATENT; 4,812,604. OTHER PATENTS APPLIED FOR.

DELTA SYSTEMS, INC. DOES NOT ASSUME ANY LIABILITY ARISING OUT OF THE MISAPPLICATION OF ANY PRODUCT

COMPUTER GENERATED DRAWING - NO MANUAL CHANGES ALLOWED

UNLESS OTHERWISE SPECIFIED DIMENSIONS ARE IN INCHES TOLERANCES ARE:	
.xxx# .02	.xxx# .005 ANG# 1°
DO NOT SCALE DRAWING	

DELTA SYSTEMS INC. STRETSBORO, OHIO 44241	
TITLE SNAP-MOUNT SWITCH NORMALLY OPEN WITH 2 LB. SPRING	
SIZE	DWG. NO.
B	6440-21
SCALE	PROJECT NO.
2X	EX311
	REV
	A

DRAWN	DATE
MA	03/14/08
CHECKED	DATE
ML	03/15/08
MATERIAL	NOTE 1
FINISH	NOTE 2