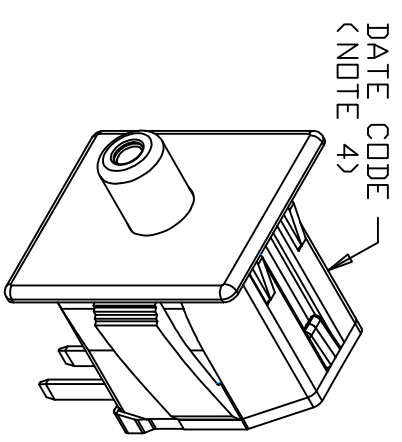


REVISIONS			
~	INITIAL RELEASE, CR1983	06/18/12	IDK
A	(.45) WAS .45±.03, CN3369	09/26/12	IDK



NOTES:
 ▲ DESIGNATES CRITICAL CHARACTERISTICS

1. TERMINALS ARE BRASS.
2. HOUSING IS GRAY POLYPROPYLENE PLUNGER IS BLACK POLYPROPYLENE BACK COVER IS OLIVE POLYPROPYLENE
3. INTEGRITY OF WELD & SWITCH FUNCTIONALITY TESTED AFTER ASSEMBLY.
4. DATE CODE INDICATES YEAR, MONTH & DAY OF MONTH MANUFACTURED.
5. MATING DELTA CONNECTOR WITH SHORTING CONTACT IS P/N #96549-DL.
6. MATING TERMINAL IS P/N PACKARD #12034046 (18-20 GA WIRE) #12066214 (14-16 GA WIRE) (100K RESISTIVE)
7. RATED 3A @ 12-14 VDC (CYCLES= 10K INDUCTIVE), 100K RESISTIVE)
8. FORCE TO DEPRESS PLUNGER .40" = 4.6±1.7 LB.
9. THIS PRODUCT IS COVERED BY U.S. PATENT # 6,207,910.

DELTA SYSTEMS, INC. DOES NOT ASSUME ANY LIABILITY ARISING OUT OF THE MISAPPLICATION OF ANY PRODUCT

COMPUTER GENERATED DRAWING - NO MANUAL CHANGES ALLOWED

UNLESS OTHERWISE SPECIFIED DIMENSIONS ARE IN INCHES TOLERANCES ARE:
 .XX± .02 .XXX± .005 ANG± 1°

DO NOT SCALE DRAWING

DRAWN	DATE
IDK	07/18/11
CHECKED	DATE
DRY	06/18/12
MATERIAL AS NOTED	
FINISH AS NOTED	

DELTA SYSTEMS INC.
 STREETSBORO, OHIO 44241

TITLE
 NO/NO DPLP PLUNGER-TWO POLE SHORTING CONNECTOR SWITCH

SIZE B DWG. NO. 6444-82

SCALE 1X PROJECT NO. REV A