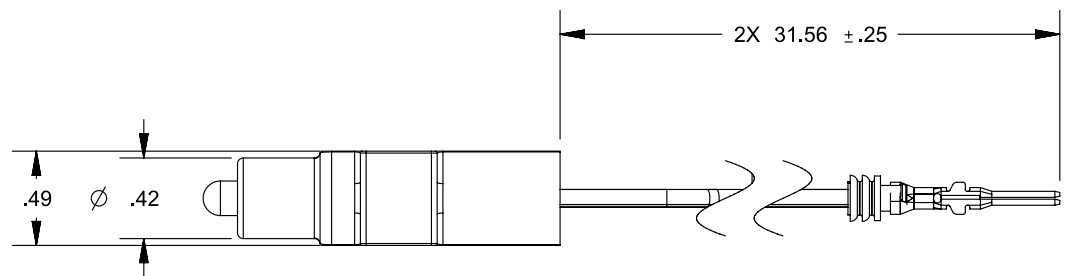
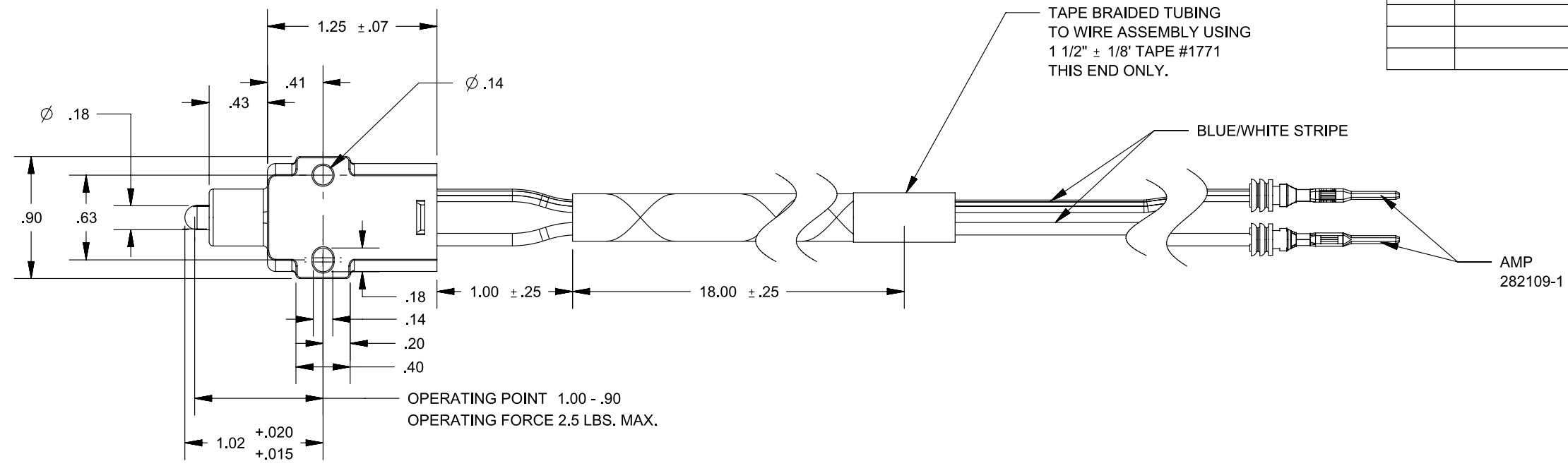


8 7 6 5 4 3 2 1

### REVISIONS

REV.	DESCRIPTION	DATE	INIT
0	INITIAL RELEASE	10/17/14	MJS



- NOTES**
- 1) INITIAL VOLTAGE DROP MEASURED ACROSS TERMINALS IS 100mV MAX AT 3 AMPS WITH 12-15 VDC APPLIED
  - 2) SWITCH CIRCUIT WHEN OPEN WILL WITHSTAND 500 VDC WITH A MAX OF 5mA LEAKAGE (100K OHMS MIN)
  - 3) THE SWITCH AND LEADS WILL WITHSTAND 10" Hg VACUUM WHEN SUBMERGED IN WATER PER DSI "SALT WATER TEST"
  - 4) SWITCH HOUSING AND PLUNGER ARE CONSTRUCTED OF UV STABILIZED ACETAL COPOLYMER WITH 12% GLASS COLOR: BLACK
  - 5) ELECTRICAL RATING: 3A@12-14VDC LIFE = 100,000 CYCLES RESISTIVE
  - 6) INTERPRET THIS DRAWING IN ACCORDANCE WITH ASME Y14.5-2009

PROPRIETARY & CONFIDENTIAL THE INFORMATION CONTAINED IN THIS DRAWING IS THE SOLE PROPERTY OF DELTA SYSTEMS. ANY REPRODUCTION IN PART OR AS A WHOLE WITHOUT THE WRITTEN PERMISSION OF DELTA SYSTEMS IS PROHIBITED.	UNLESS OTHERWISE SPECIFIED DIMENSIONS ARE IN INCHES TOLERANCES ARE: .X± .1 .XX± .02 .XXX± .005 X°± 1°	DRAWN mschwenning	DATE 17-Oct-2014	1734 FROST ROAD STREETSBORO, OHIO 44241 330-626-2811 WWW.DELTASYSTEMSINC.COM
		CHECKED bkirkman	DATE 18-Dec-2014	
		APPROVED ikirbawy	DATE 22-Jun-2015	
		DELTA SYSTEMS INC. DOES NOT ASSUME ANY LIABILITY ARISING OUT OF THE MISAPPLICATION OF ANY PRODUCT	COMPUTER GENERATED DRAWING - NO MANUAL CHANGES ALLOWED	MATERIAL AS NOTED
		FINISH AS NOTED		SIZE <b>B</b> DWG. NO. 7081-24A_APP
		DO NOT SCALE DRAWING	STATUS	SCALE NTS SHEET 1 OF 1 PROJECT NO. EX0257 REVISION 0

8 7 6 5 4 3 2 1