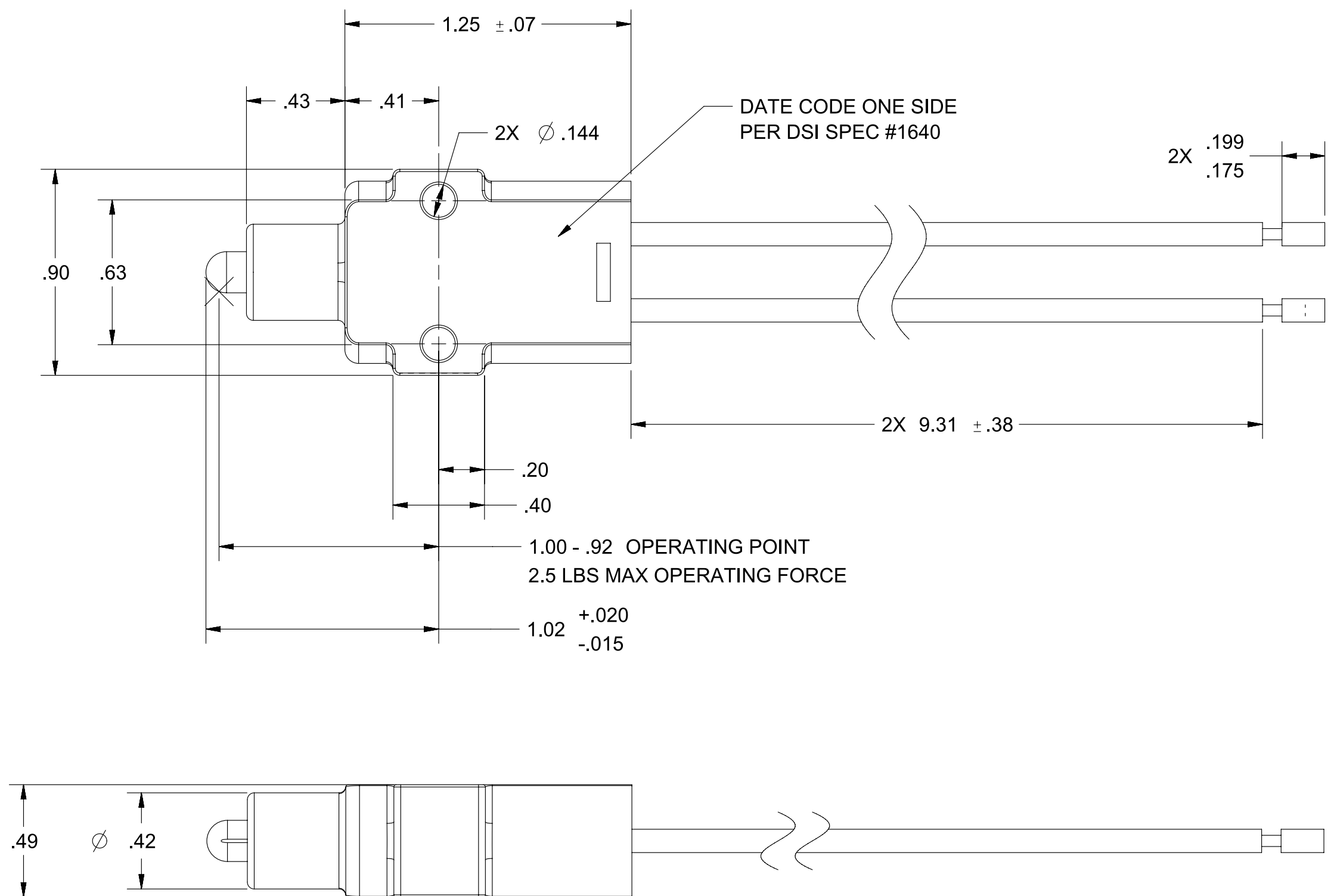


REVISIONS			
REV.	DESCRIPTION	DATE	INIT
0	INITIAL RELEASE	10/08/14	MJS



- INTERPRET THIS DRAWING IN ACCORDANCE WITH ASME Y14.5-2009
- MATERIAL SPECIFICATION AND NOTES
- SWITCH HOUSING IS UV STABLE ACETAL COPOLYMER WITH 12% GLASS FIBER, COLOR: GREY
 - SWITCH PLUNGER MATERIAL IS ACETAL COPOLYMER WITH 12% GLASS FIBER, COLOR: BLACK
 - SWITCH DATE CODE ON ONE SIDE OF HOUSING PER DELTA DATE CODE SPECIFICATION #1640
 - PLUNGER SEALING O-RING LUBRICANT IS NYE UNIFLOR #8132
 - WIRE TO BE 16GA (37/32) 80°, PVC INSULATION. CABLE LAY-UP MAY CONSIST OF MORE STRANDS OF FINER WIRE PROVIDED TOTAL CROSS SECTIONAL AREA IS NO LARGER.
 - LEAD WIRES CONFORM TO SAE J1128 AND SAE J378
- ELECTRICAL CONTACT DATA
- ELECTRICAL CONTACTS ARE SILVER ALLOY PLATED
 - TYPICAL LOAD 3 AMPS AT 12-14 VDC RESISTIVE
 - INITIAL VOLTAGE DROP IS 100mV MAX
- DURABILITY REQUIREMENT
- 100,000 CYCLES WITH A 3 AMP RESISTIVE LOAD @ 12-14 VDC
 - SWITCH AND SEALED LEADS WITHSTAND 10" Hg VACUUM WHEN SUBMERGED IN WATER PER DSI "SALT WATER TEST" BEFORE AND AFTER CYCLE TESTING
 - NO INGRESS OF EXTERNAL CONTAMINANTS ALLOWED
- OPERATING ENVIRONMENTAL - USAGE INFORMATION, NO TESTING REQUIRED
- STORAGE TEMPERATURE -30°C TO 85°C
 - OPERATING TEMPERATURE -8°C TO 85°C
 - EXPOSURE TO FRESH AND SALT WATER

PROPRIETARY & CONFIDENTIAL THE INFORMATION CONTAINED IN THIS DRAWING IS THE SOLE PROPERTY OF DELTA SYSTEMS. ANY REPRODUCTION IN PART OR AS A WHOLE WITHOUT THE WRITTEN PERMISSION OF DELTA SYSTEMS IS PROHIBITED. DELTA SYSTEMS INC. DOES NOT ASSUME ANY LIABILITY ARISING OUT OF THE MISAPPLICATION OF ANY PRODUCT	UNLESS OTHERWISE SPECIFIED DIMENSIONS ARE IN INCHES TOLERANCES ARE: .X ± .1 .XX ± .02 .XXX ± .005 X° ± 1	DRAWN mschwenning DATE 08-Oct-2014	1734 FROST ROAD STREETSBORO, OHIO 44241 330-626-2811 WWW.DELTASYSTEMSINC.COM TITLE Universal Switch N.C. Application
	COMPUTER GENERATED DRAWING - NO MANUAL CHANGES ALLOWED	CHECKED bkirkman DATE 18-Dec-2014	
	FINISH N/A	APPROVED ikirbaw DATE 22-Jun-2015	
	DO NOT SCALE DRAWING	MATERIAL N/A	
SCALE NTS		DWG. NO. 7081-34_APP	SHEET 1 OF 1
PROJECT NO. EX0257		REVISION 0	STATUS