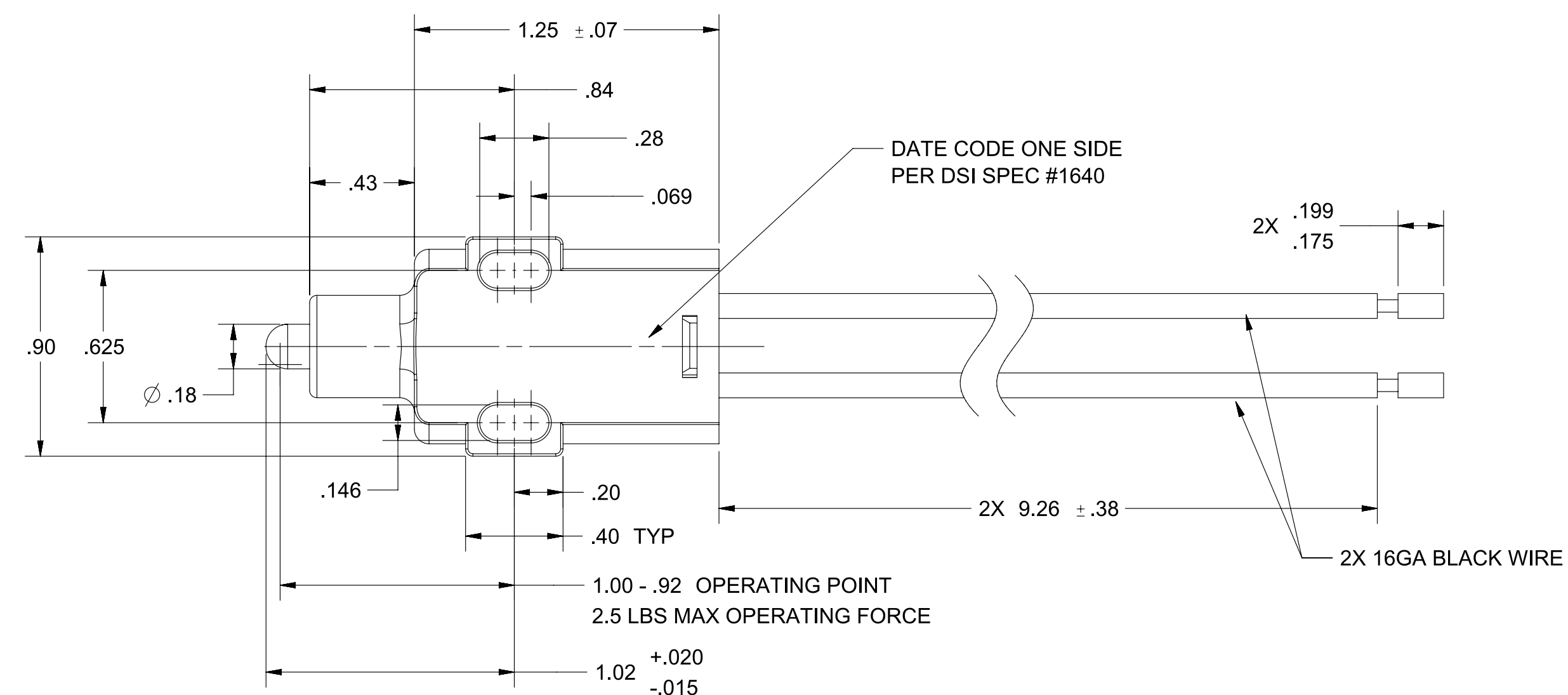


REVISIONS			
REV.	DESCRIPTION	DATE	INIT
0	INITIAL RELEASE	06/04/15	PJC



INTERPRET THIS DRAWING IN ACCORDANCE WITH ASME Y14.5-2009

MATERIAL SPECIFICATION AND NOTES

- SWITCH HOUSING IS UV STABLE ACETAL COPOLYMER WITH 12% GLASS FIBER, COLOR: GREY
- SWITCH PLUNGER MATERIAL IS ACETAL COPOLYMER WITH 12%GLASS FIBER , COLOR: BLACK
- SWITCH DATE CODE ON ONE SIDE OF HOUSING PER DELTA DATE CODE SPECIFICATION #1640
- PLUNGER SEALING O-RING LUBRICANT IS NYE UNIFLOR #8132
- WIRE TO BE 16GA (37/32) 80°, PVCINSULATION. CABLE LAY-UP MAY CONSIST OF MORE STRANDS OF FINER WIRE PROVIDED TOTAL CROSS SECTIONAL AREA IS NO LARGER.
- LEAD WIRES CONFORM TO SAE J1128 AND SAE J378

ELECTRICAL CONTACT DATA

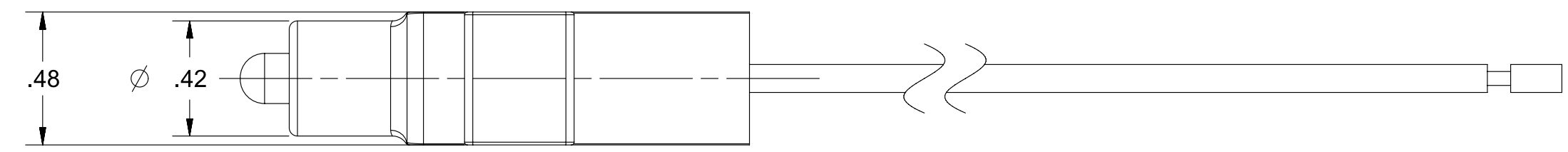
- ELECTRICAL CONTACTS ARE SILVER ALLOY PLATED
- TYPICAL LOAD 3 AMPS AT 12-14 VDC RESISTIVE
- INITIAL VOLTAGE DROP IS 100mV MAX

DURABILITY REQUIREMENT

- 100,000 CYCLES WITH A 3 AMP RESISTIVE LOAD @ 12-14 VDC
- SWITCH AND SEALED LEADS WITHSTAND 10" Hg VACUUM WHEN SUBMERGED IN WATER PER DSI "SALT WATER TEST" BEFORE AND AFTER CYCLE TESTING
- NO INGRESS OF EXTERNAL CONTAMINANTS ALLOWED

OPERATING ENVIRONMENTAL - USAGE INFORMATION, NO TESTING REQUIRED

- STORAGE TEMPERATURE -30°C TO 85°C
- OPERATING TEMPERATURE -8°C TO 85°C
- EXPOSURE TO FRESH AND SALT WATER



PROPRIETARY & CONFIDENTIAL THE INFORMATION CONTAINED IN THIS DRAWING IS THE SOLE PROPERTY OF DELTA SYSTEMS. ANY REPRODUCTION IN PART OR AS A WHOLE WITHOUT THE WRITTEN PERMISSION OF DELTA SYSTEMS IS PROHIBITED. DELTA SYSTEMS INC. DOES NOT ASSUME ANY LIABILITY ARISING OUT OF THE MISAPPLICATION OF ANY PRODUCT	UNLESS OTHERWISE SPECIFIED DIMENSIONS ARE IN INCHES TOLERANCES ARE: .X ± .1 .XX ± .02 .XXX ± .005 X° ± 1	DRAWN pcolonna CHECKED bkirkman APPROVED ikirbaw MATERIAL AS NOTED FINISH AS NOTED DO NOT SCALE DRAWING	DATE 04-Jun-2015 DATE 08-Jun-2015 DATE 15-Jun-2015 PROJECTED VIEWS ARE 3RD ANGLE STATUS	DELTA SYSTEMS 1734 FROST ROAD STREETSBORO, OHIO 44241 330-626-2811 WWW.DELTASYSTEMSINC.COM TITLE Universal Switch N.O. Application SIZE C DWG. NO. 7081-39_APP SCALE NTS SHEET 1 OF 1 PROJECT NO. EX0257 REVISION 0	
	COMPUTER GENERATED DRAWING - NO MANUAL CHANGES ALLOWED	FINISH AS NOTED	PROJECTED VIEWS ARE 3RD ANGLE	STATUS	TITLE Universal Switch N.O. Application
	COMPUTER GENERATED DRAWING - NO MANUAL CHANGES ALLOWED	FINISH AS NOTED	PROJECTED VIEWS ARE 3RD ANGLE	STATUS	TITLE Universal Switch N.O. Application
	COMPUTER GENERATED DRAWING - NO MANUAL CHANGES ALLOWED	FINISH AS NOTED	PROJECTED VIEWS ARE 3RD ANGLE	STATUS	TITLE Universal Switch N.O. Application