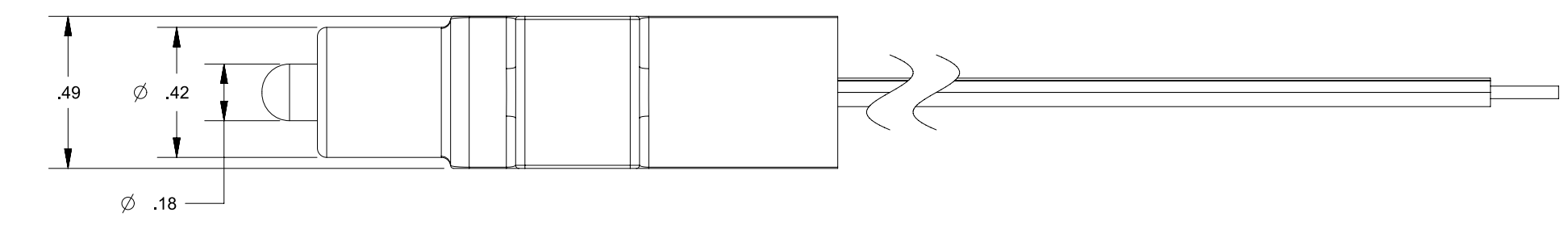
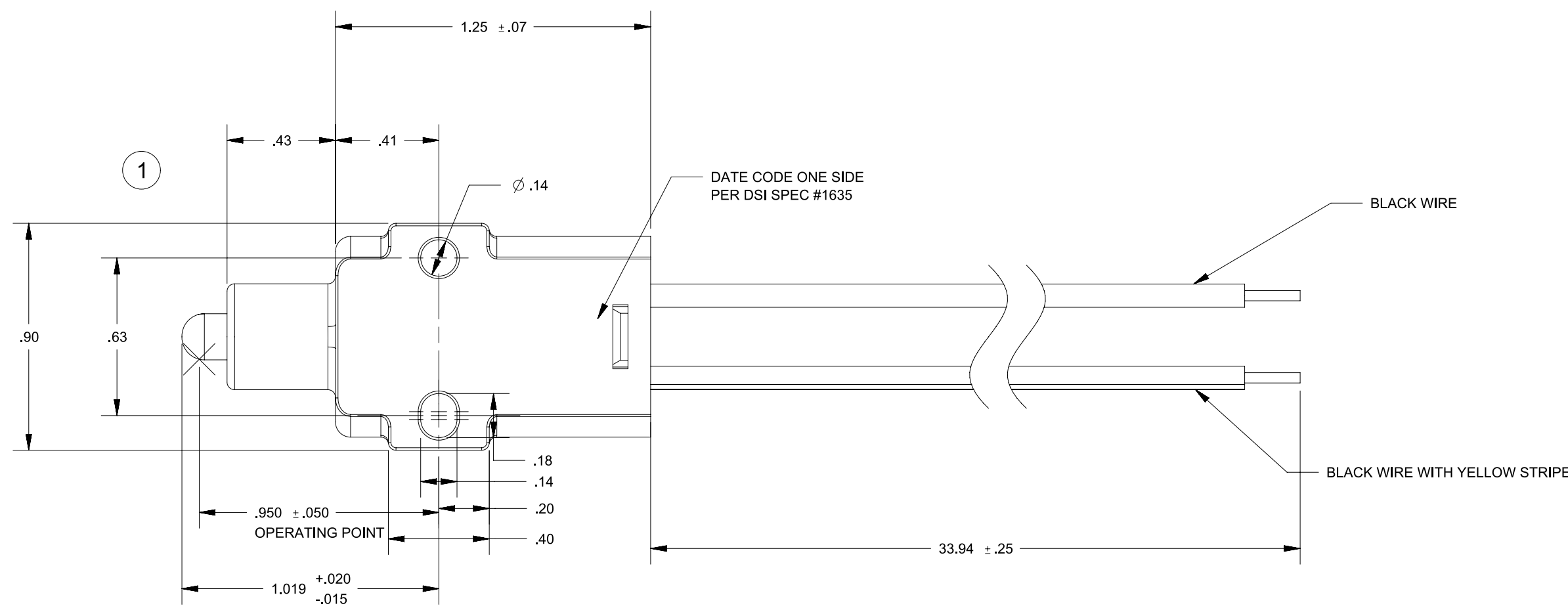


REVISIONS			
REV.	DESCRIPTION	DATE	INIT
0	INITIAL RELEASE	10/08/14	MJS
1	.100 MAX TRAVEL DIMENSION REMOVED, ECO 486	12/11/15	PJC



OPERATING CHARACTERISTICS

OPERATING FORCE @ .060 IS 4.25 ± 1.0 LB

NOTE

EACH LEAD MUST NOT PULL OFF FROM SWITCH ASSEMBLY WITH AN 18 LB PULL FORCE APPLIED FOR ONE SECOND

WIRE SPECIFICATIONS

INSULATED WIRE MUST MEET SAE J1128
18-AWG-41 STRANDS OF #34 TINNED COPPER WIRE
125°C MIN SXL INSULATION .110 ± .010 DIA PER SAE J378

WATERPROOF

THIS TEST MUST BE DONE WITH DEIONIZED WATER WITH THE ADDITION OF TRITON 100 WETTING AGENT, (ONE DROP PER PINT OF WATER) TO ELIMINATE SURFACE TENSION BUBBLES.

1. WITH THE PLUNGER AT REST:
BUBBLES THAT ORIGINATE WITHIN THE SWITCH SHALL NOT BE RELEASED WHEN THE SWITCH, EXCLUDING THE LEAD WIRE ENDS, IS SUBMERGED IN A CONTAINER OF WATER SUBJECTED TO 20 INCHES Hg VACUUM FOR ONE MINUTE
2. WITH THE PLUNGER DEPRESSED
REPEAT AS ABOVE EXCEPT USE 10 INCHES Hg VACUUM

CONTINUITY TEST

SWITCH SHALL PASS CONTINUITY TEST BEFORE AND AFTER WATERPROOF AND CYCLE TESTS

1. CURRENT LEAKAGE AT 500VDC SHALL NOT EXCEED 50 MICROAMPS, TEST SHALL BE PERFORMED WITH THE PLUNGER AT REST
2. VOLTAGE DROP AT 3 AMPS (12-13 VDC) SHALL NOT EXCEED 150 MILLIVOLTS WHEN MEASURED BETWEEN LEADS WITHIN ONE INCH OF SWITCH BODY TEST SHALL BE PERFORMED WITH THE PLUNGER DEPRESSED

CYCLE TEST

SWITCH MUST PASS WATERPROOF TEST & CONTINUITY TEST BEFORE AND AFTER 50,000 CYCLES OF DISCHARGING A 1 MICRO FARRAD CAPACITOR CHARGE TO 350 COLTS THROUGH A 10 OHM RESISTOR AT THE RATE OF 1.5 SECONDS "ON" AND 1.5 SECONDS "OFF"

SWITCH

INTERNAL RING CONTACT AND TERMINALS TO BE FINE SILVER PLATED TO .0001-.0003 THICK

NOTES

- 1) HOUSING AND PLUNGER ARE CELCON 12% (GLASS FILLED)
- 2) END USER IS RESPONSIBLE FOR LIMITING PLUNGER TRAVEL OF SWITCH TO .100 MAX WHEN SWITCH IS INSTALLED IN ITS APPLICATION
- 3) INTERPRET THIS DRAWING IN ACCORDANCE WITH ASME Y14.5-2009

PROPRIETARY & CONFIDENTIAL THE INFORMATION CONTAINED IN THIS DRAWING IS THE SOLE PROPERTY OF DELTA SYSTEMS. ANY REPRODUCTION IN PART OR AS A WHOLE WITHOUT THE WRITTEN PERMISSION OF DELTA SYSTEMS IS PROHIBITED.	UNLESS OTHERWISE SPECIFIED DIMENSIONS ARE IN INCHES TOLERANCES ARE: .X ± .1 .XX ± .02 .XXX ± .005 X° ± 1	DRAWN mschwenning	DATE 08-Oct-2014	1734 FROST ROAD STREETSBORO, OHIO 44241 330-626-2811 WWW.DELTASYSTEMSINC.COM	
	DELTA SYSTEMS INC. DOES NOT ASSUME ANY LIABILITY ARISING OUT OF THE MISAPPLICATION OF ANY PRODUCT	COMPUTER GENERATED DRAWING - NO MANUAL CHANGES ALLOWED	CHECKED bkirkman		DATE 18-Dec-2014
			APPROVED ikirbawy	DATE 16-Jun-2015	TITLE Universal Switch N.O. Application
			MATERIAL N/A	FINISH N/A	PROJECTED VIEWS ARE 3RD ANGLE
		DO NOT SCALE DRAWING	STATUS DS4_Design	SCALE NTS	
				DWG. NO. 7081-45_APP	
				SHEET 1 OF 1	
				PROJECT NO. EX0257	
				REVISION 1	