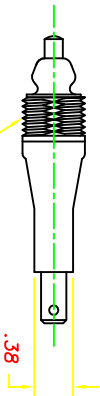
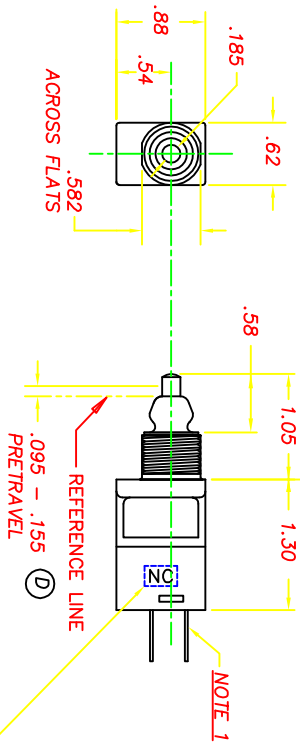


REVISIONS			
B	DELETED 9200 & 9250	09/05/90	TW
C	CORRECT HEAT STAMP REF. CR 1326	08/24/99	JH
D	PRETRAVEL WAS .100 NOM, CR 1889	01/31/12	CAK



**NOTES:**

- 1-INITIAL VOLTAGE DROP MEASURED ACROSS TERMINALS IS 100mv MAXIMUM AT 3 AMPS WITH 12-15 VDC APPLIED.
- 2-SWITCH CIRCUIT WHEN OPEN WILL WITHSTAND 500 VOLTS DC WITH A MAX. OF 5ma LEAKAGE (100K OHMS MIN)
- 3-SWITCH HOUSING AND PLUNGER ARE CONSTRUCTED OF A UV STABILIZED FUEL RESISTANT THERMOPLASTIC

DELTA SYSTEMS, INC. DOES NOT ASSUME ANY LIABILITY ARISING OUT OF THE MISAPPLICATION OF ANY PRODUCT	
DATE	10/02/87
CHECKED	BH
DATE	10/02/87
MATERIAL AS NOTED	
FINISH AS NOTED	
DO NOT SCALE DRAWING	

<b>DELTA</b> SYSTEMS INC. STREETSBORO, OHIO 44241	
TITLE	TETHER SWITCH NORMALLY CLOSED
SIZE	B
DWG. NO.	7050-15
SCALE	FULL
PROJECT NO.	E-312
REV	D