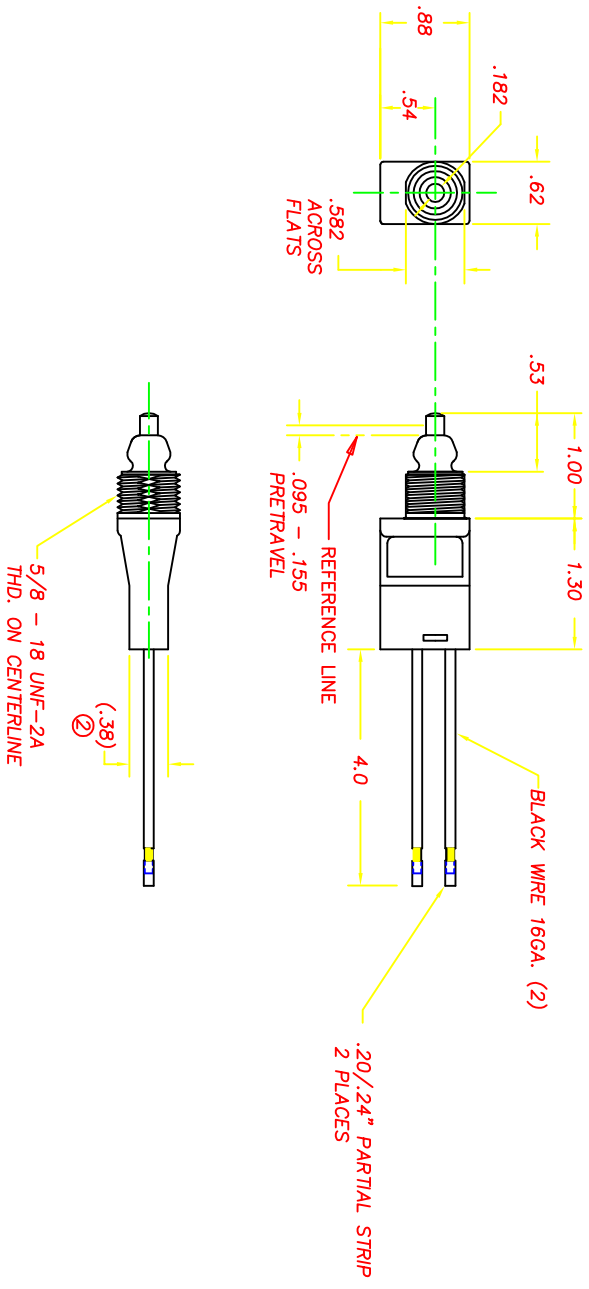


REVISIONS			
~	INITIAL RELEASE, CR 1473	04/30/02	JH
A	PRETRAVEL WAS .100 NOM., CR 1889 DATE CODE SPEC WAS 1635	01/31/12	CAK
2	.38 CONVERTED TO REFERENCE	10/17/17	JW



NOTES:

- 1 - SWITCH HOUSING AND PLUNGER ARE CONSTRUCTED OF UV STABILIZED FUEL RESISTANT THERMOPLASTIC.
- 2 - NORMALLY CLOSED SWITCH, SPRING BIASED TO POSITION SHOWN.
- 3 - DATE CODE ON HOUSING PER DSI SPEC #1640.

DELTA SYSTEMS, INC. DOES NOT ASSUME ANY LIABILITY ARISING OUT OF THE MISAPPLICATION OF ANY PRODUCT

UNLESS OTHERWISE SPECIFIED DIMENSIONS ARE IN INCHES
TOLERANCES ARE:
XXX .02 XXXX .005 ANGE 1'

COMPUTER GENERATED DRAWING - NO MANUAL CHANGES ALLOWED

DO NOT SCALE DRAWING

DATE	DATE	DATE
03/19/02	04/30/02	

DELTA
SYSTEMS INC.
STREETSBORO, OHIO 44241

TETHER SWITCH
NORMALLY CLOSED

SIZE: B
SCALE: FULL

DMC. NO.: 7050-51
PROJECT NO.: EX312
REV: 2