

COMPUTER GENERATED DRAWING - NO MANUAL CHANGES
REVISIONS

~	INITIAL RELEASE, CR 1754	08/25/09	JM
A	WAS .030 - .080 , CN 2891 WAS .875	06/16/11	CAK
2	.38 CONVERTED TO REFERENCE	10/17/17	JW

OPERATING CHARACTERISTICS AT REFERENCE LINE:

REST-----.175"

PRETRAVEL-----.060-.125 (A)

OPERATION FORCE AT .060 BUTTON TRAVEL-----2.20±.50LBS

NOTE

WIRE SPECIFICATIONS

INSULATED WIRE MUST MEET SAE J1128
18AWG-41 STRANDS OF #34 AWG TINNED COPPER WIRE.
125°C MIN. SXL INSULATION .110±.010 DIA PER SAE J378

WATERPROOF TEST:

THIS TEST MUST BE DONE WITH DEIONIZED WATER WITH THE ADDITION OF TRITON 100 WETTING AGENT, (ONE DROP PER PINT OF WATER) TO ELIMINATE SURFACE TENSION BUBBLES.
1. WITH THE PLUNGER AT REST:

BUBBLES THAT ORIGINATE WITHIN THE SWITCH SHALL NOT BE RELEASED WHEN THE SWITCH, EXCLUDING THE LEAD WIRES END, IS SUBMERGED IN A CONTAINER OF WATER SUBJECTED TO 20 INCHES Hg VACUUM FOR ONE MINUTE.

2. WITH THE PLUNGER DEPRESSED:
REPEAT AS ABOVE EXCEPT USE 10 INCHES Hg VACUUM.

CONTINUITY TEST

SWITCH SHALL PASS CONTINUITY TEST BEFORE AND AFTER WATERPROOF AND CYCLE TESTS.

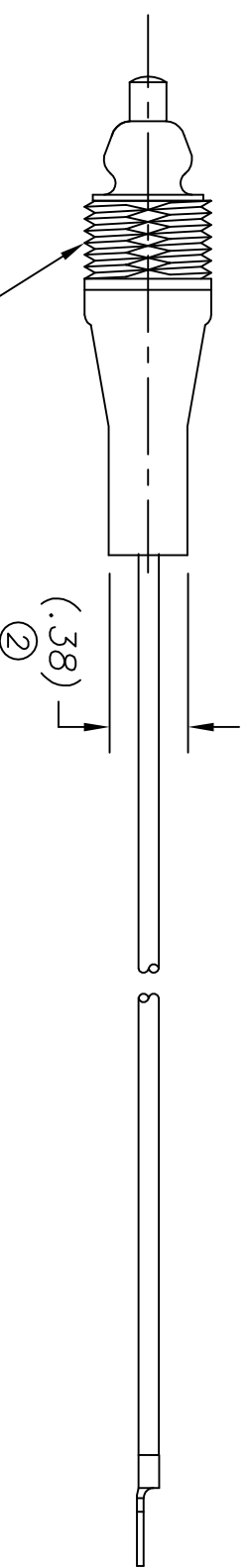
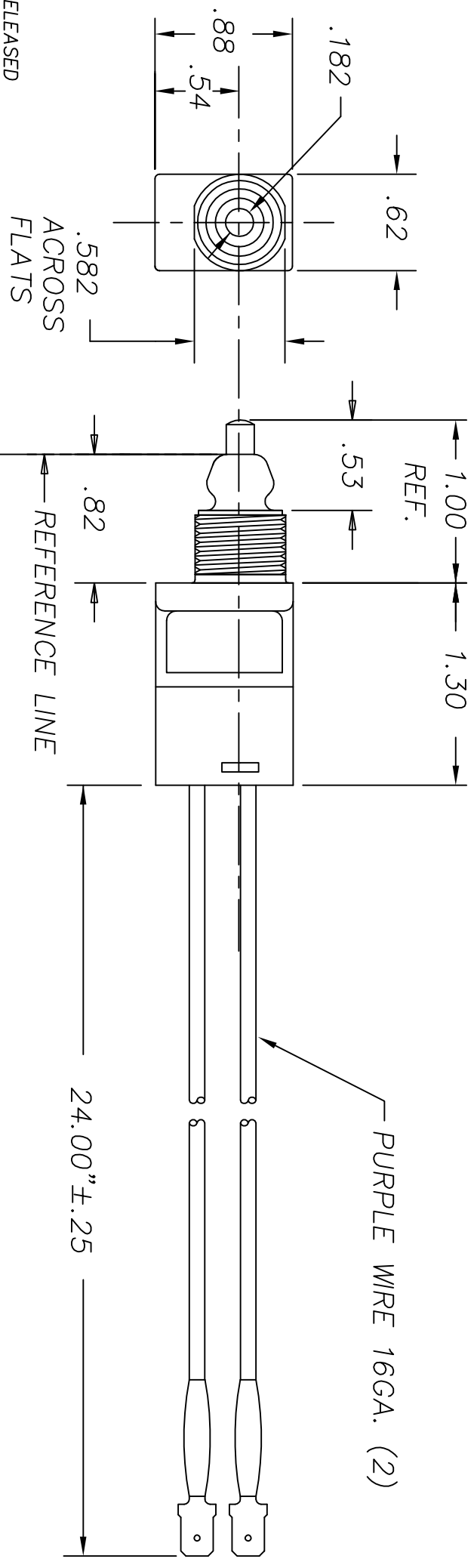
1. CURRENT LEAKAGE AT 1000 VDC SHALL NOT EXCEED 50 MICRO AMPS. TEST SHALL BE PERFORMED WITH THE PLUNGER AT REST.
2. VOLTAGE DROP AT 3 AMPS (12-13VDC) SHALL NOT EXCEED 150 MILLIVOLTS WHEN MEASURED BETWEEN LEADS WITHIN ONE INCH OF SWITCH BODY. TEST SHALL BE PERFORMED WITH THE PLUNGER DEPRESSED.

CYCLE TEST

SWITCH MUST PASS WATERPROOF TEST & CONTINUITY TEST BEFORE AND AFTER 50,000 CYCLES OF DISCHARGING A 1 MICRO FARRAD CAPACITOR CHARGED TO 350 VOLTS THROUGH A 10 OHM RESISTOR AT THE RATE OF 1.5 SECONDS "ON" AND 1.5 SECONDS "OFF".

SWITCH

1. INTERNAL RING CONTACT AND TERMINALS TO BE FINE SILVER PLATED TO .0001-.0003 THICK.
2. SWITCH HOUSING AND PLUNGER ARE CONSTRUCTED OF UV STABILIZED FUEL RESISTANT THERMOPLASTIC.
3. NORMALLY OPEN SWITCH, SPRING BIASED TO POSITION SHOWN.
4. DATE CODE ON HOUSING PER DSI SPEC. #1635.



DELTA SYSTEMS, INC. DOES NOT ASSUME ANY LIABILITY ARISING OUT OF THE MISAPPLICATION OF ANY PRODUCT		DRAWN JM	DATE 03/04/08	TITLE TETHER SWITCH, NORMALLY OPEN	
UNLESS OTHERWISE SPECIFIED DIMENSIONS ARE IN INCHES TOLERANCES ARE: .XX± .020 .XXX± .005 ANG± 1°		CHECKED MA	DATE 04/28/08	SIZE B	DWG. NO. 7050-54
DO NOT SCALE DRAWING		MATERIAL AS NOTED		SCALE FULL	PROJECT NO. EX0046
		FINISH AS NOTED		SHEET 1	REV 2
				OF 1	



DELTA
SYSTEMS INC.
STREETSBORO, OHIO 44241