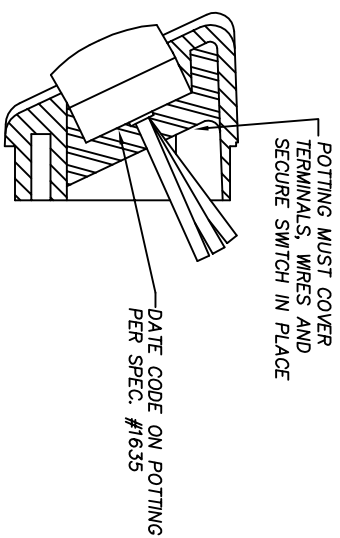
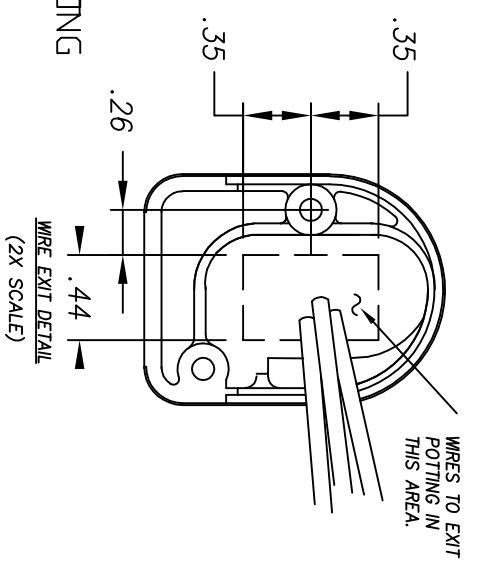
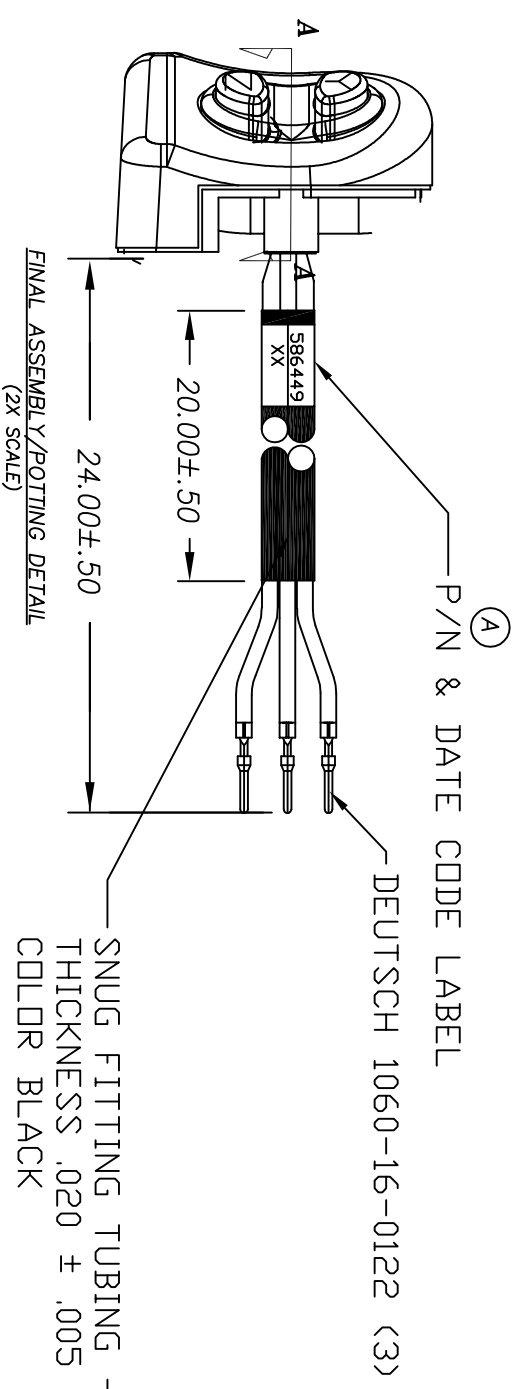
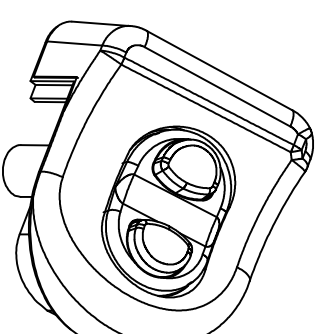


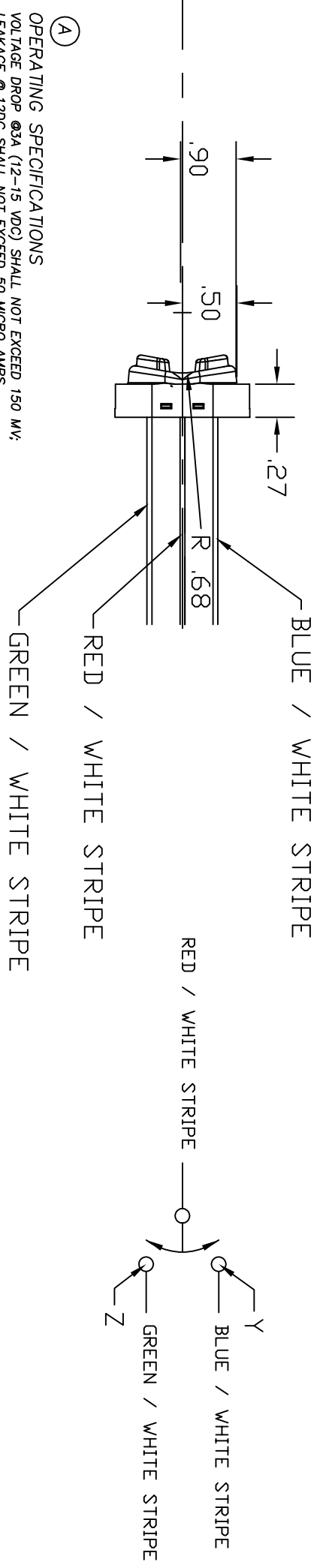
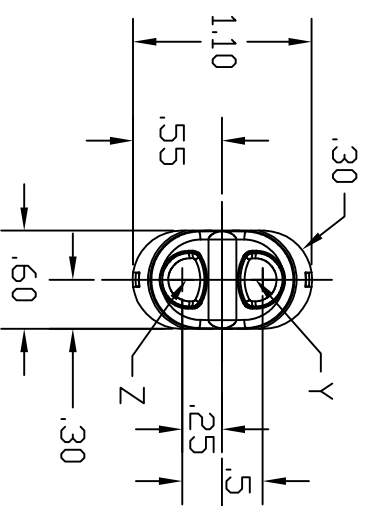
REVISIONS			
~	INITIAL RELEASE, CR 1542	05/28/04	JLM
A	ADD OP SPEC & P/N: CN 0843	07/19/04	JLM
B	ADD CUST. RELAY TO SPEC: CN0866	09/27/04	JLM
C	REMOVE TRAVEL SPEC. CN 0929	12/13/04	JLM



SECTION VIEW A-A



SWITCH SPECIFICATION INFORMATION



NOTES:  
1-PLASTIC PARTS ARE BLACK CELCON;  
BUTTONS ARE ELASTOMER - RED.  
2-WIRE POSITION CRITICAL  
3-WIRE SPECIFICATION:  
MUST MEET SAE J1123. COLORS AS NOTED.  
18GA- 7 GROUPS, 9 STRANDS PER GROUP OF  
#36AWG TINNED COPPER WIRE WITH REINFORCING  
STAINLESS STEEL - 4STRANDS PER GROUP.  
105°C MIN GPT DR GXL 125°C INSULATION PER  
SAE J378. DD .096±.003.

OPERATING SPECIFICATIONS  
VOLTAGE DROP @3A (12-15 VDC) SHALL NOT EXCEED 150 MW;  
LEAKAGE @ 120C SHALL NOT EXCEED 50 MICRO AMPS  
NUMBER OF POLES: 1 NUMBER OF THROWS: 2  
TYPICAL LOAD RESISTANCE = 290 MA; MAXIMUM LOAD = 300 MA  
MAXIMUM CLOSED CIRCUIT RESISTANCE <0.100 OHMS (NOT INCLUDING WIRE);  
MINIMUM OPEN CIRCUIT RESISTANCE >10 MEG OHMS;  
TRIP FORCE 3.75 LBS ±1 LBS

ENVIRONMENTAL SPECIFICATIONS  
MEETS OR EXCEEDS THE FOLLOWING: IP67; ASAE EP 455.5.8.2 & 455.5.13;  
ASTM B117; DELTA QS 10.02.20

LIFE CYCLE (B) 100,000 CYCLES @ 390 MA INDUCTIVE LOAD (LR90143 & VF4 RELAYS)

DELTA SYSTEMS, INC. DOES NOT ASSUME ANY LIABILITY ARISING OUT OF THE MISAPPLICATION OF ANY PRODUCT		UNLESS OTHERWISE SPECIFIED DIMENSIONS ARE IN INCHES TOLERANCES ARE: ANG 1°	
COMPUTER GENERATED DRAWING - NO MANUAL CHANGES ALLOWED	DO NOT SCALE DRAWING	DRAWN JLM 01/09/04	DATE 01/09/04
MATERIAL AS NOTED		FINISH AS NOTED	SCALE FULL
TITLE MINI TRIM SWITCH BMCA P/N 586449		DWG. NO. 7152-02	
SYSTEMS INC. STREETSBORO, OHIO 44241		PROJECT NO. EX 365	REV C