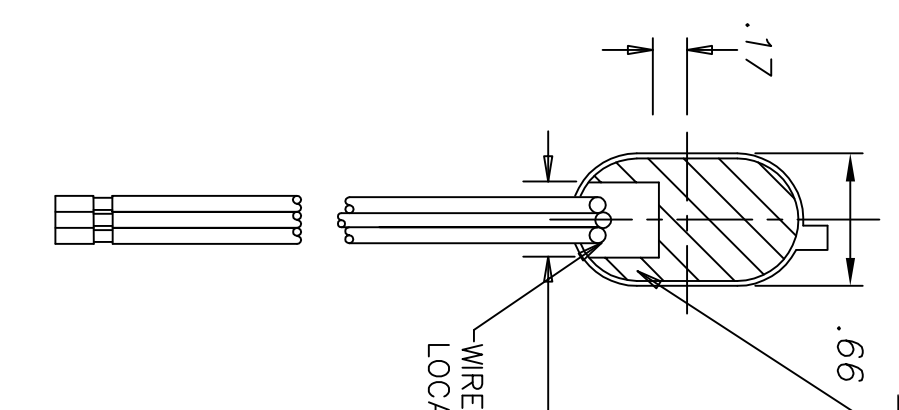
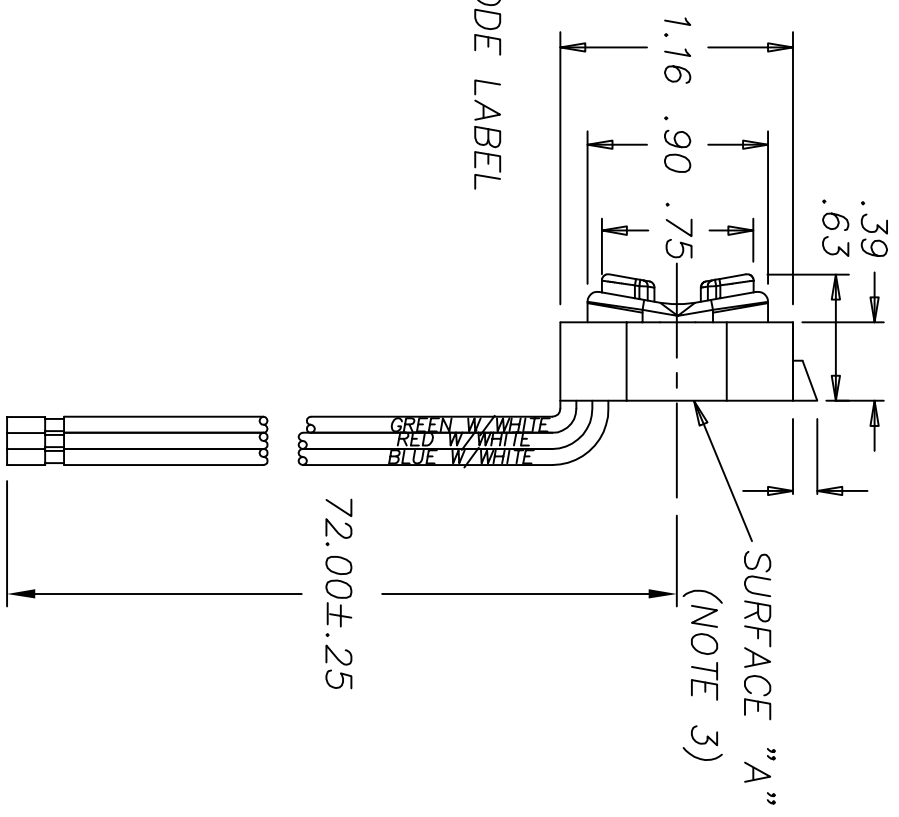
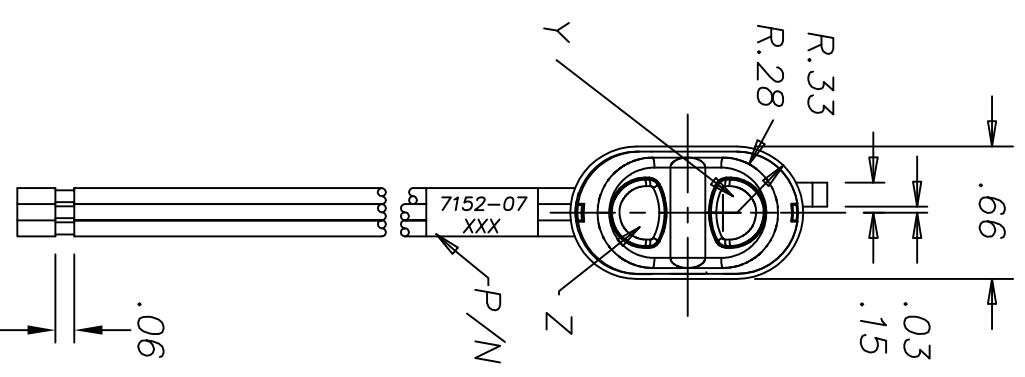


REVISIONS		
~	INITIAL RELEASE, CR 1790	03/23/10 CAK

SEQUENCE OF WIRES EXITING
POTTING UNIMPORTANT
.12 WIRES MAY BE TWISTED TOGETHER



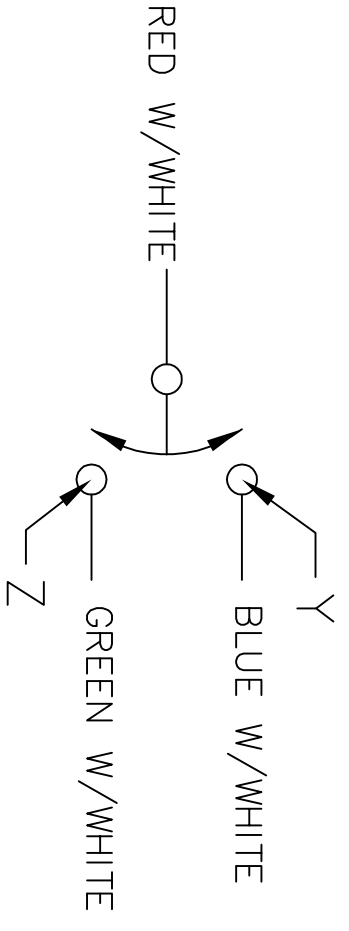
WIRE EXIT TO BE SEALED WITH POLYURETHANE ENCAPSULANT
WIRES NOT PERMITTED TO EXIT OUTSIDE .375 CENTERED LIMITS

OPERATING SPECIFICATIONS
VOLTAGE DROP @3A (12-15 VDC) SHALL NOT EXCEED 150 MV;
LEAKAGE @ 12DC SHALL NOT EXCEED 50 MICRO AMPS
NUMBER OF POLES: 1 NUMBER OF THROWS: 2
TYPICAL LOAD RESISTANCE = 250 MA; MAXIMUM LOAD = 300 MA
MAXIMUM CLOSED CIRCUIT RESISTANCE <0.100 OHMS (NOT INCLUDING WIRE);
MINIMUM OPEN CIRCUIT RESISTANCE >10 MEG OHMS;

ENVIRONMENTAL SPECIFICATIONS
MEETS OR EXCEEDS THE FOLLOWING: IP67; ASAE EP 455.5.8.2 & 455.5.13;
ASTM B117; DELTA QS 10.02.20
LIFE CYCLE
100,000 CYCLES @ 300 MA INDUCTIVE LOAD (LR90143 & VF4 RELAYS)

NOTES:

- 1-PLASTIC PARTS ARE CELCON - BLACK; BUTTONS ARE ELASTOMER - RED
- 2-WIRE SPECIFICATIONS:
18GA TIN COATED SINGLE CONDUCTOR
7/26 STRANDING
PVC INSULATION
O.D. .068±.005
TEMPERATURE RATING 105°C.
- 3-POTTING DEPTH TO BE WITHIN .060" FROM HOUSING AT WIRE EXIT AND NOT EXTEND BEYOND SURFACE "A".



DELTA SYSTEMS, INC. DOES NOT ASSUME ANY LIABILITY ARISING OUT OF THE MISAPPLICATION OF ANY PRODUCT	
DRAWN	DATE
JLM	11/14/08
CHECKED	DATE
MA	11/17/08
MATERIAL AS NOTED	
FINISH AS NOTED	
AS NOTED	

COMPUTER GENERATED DRAWING - NO MANUAL CHANGES ALLOWED	UNLESS OTHERWISE SPECIFIED DIMENSIONS ARE IN INCHES TOLERANCES ARE: .xxx± .02 .xxx± .005 ANG± 1°
DO NOT SCALE DRAWING	

DELTA
SYSTEMS INC.
STREETSBORO, OHIO 44241

TITLE: MINI-TRIM SWITCH

SIZE: B DWG. NO.: 7152-07

SCALE: FULL PROJECT NO.: EX REV: ~