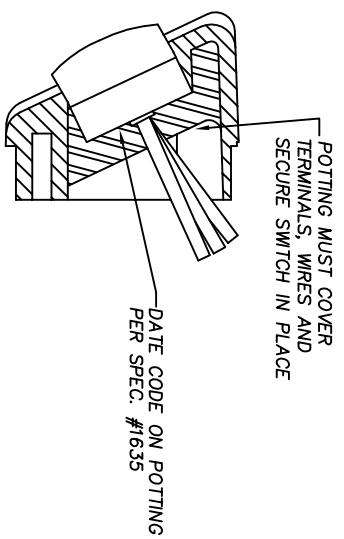
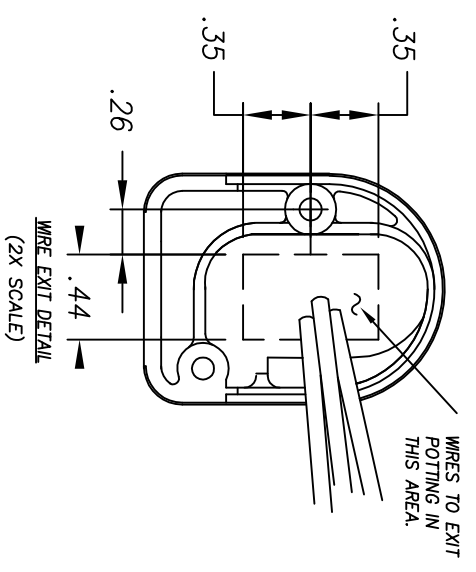
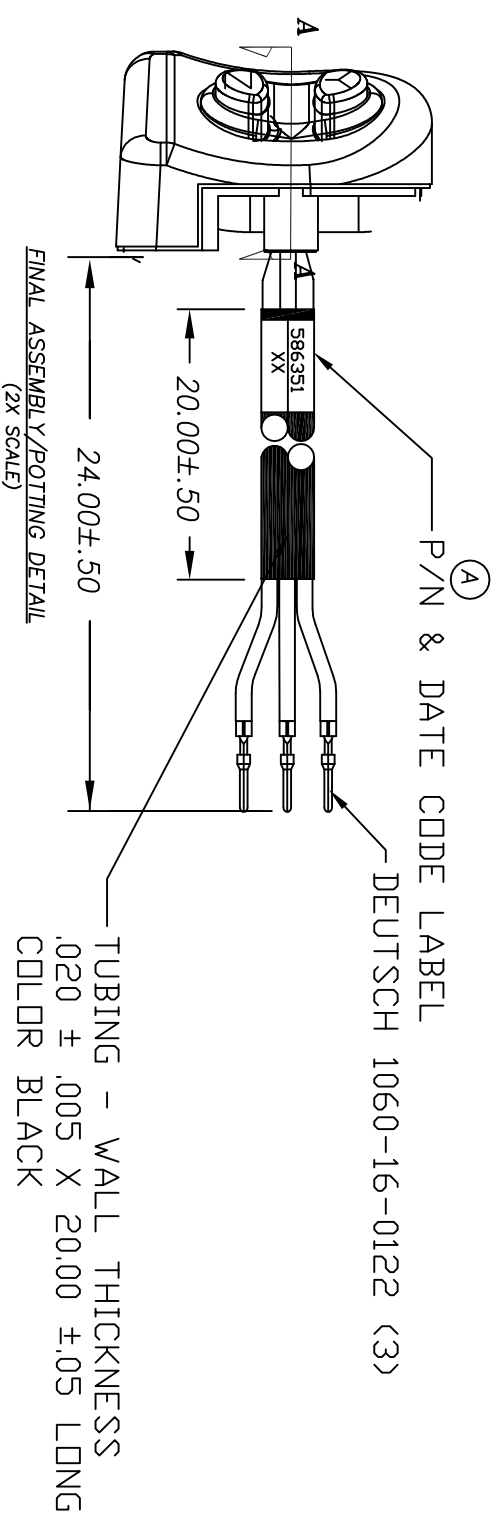
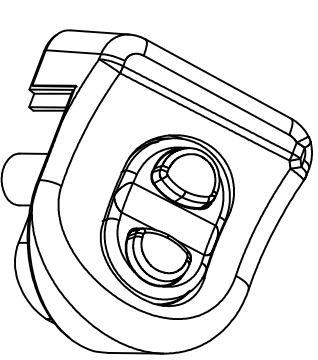


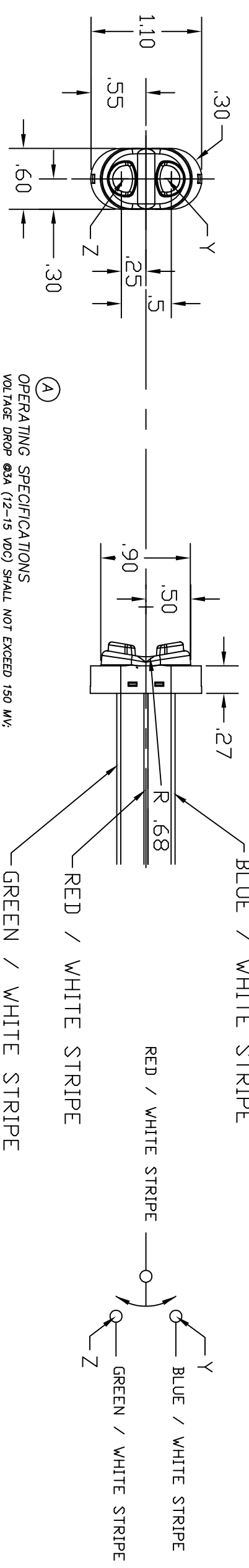
REVISIONS			
~	INITIAL RELEASE, CR 1542	05/28/04	JLM
A	ADD OP SPEC & CUST P/N: CN 0843	07/19/04	JLM
B	ADD CUST. RELAY TO PRINT CN0866	09/27/04	JLM
C	REMOVE TRAVEL SPEC. CN 0929	12/13/04	JLM



SECTION VIEW A-A



SWITCH SPECIFICATION INFORMATION



(A)

OPERATING SPECIFICATIONS

VOLTAGE DROP @3A (12-15 VDC) SHALL NOT EXCEED 150 MV;
 LEAKAGE @ 120C SHALL NOT EXCEED 50 MICRO AMPS
 NUMBER OF POLES: 1 NUMBER OF THROWS: 2
 TYPICAL LOAD RESISTANCE = 250 MA; MAXIMUM LOAD = 300 MA
 MAXIMUM CLOSED CIRCUIT RESISTANCE <0.100 OHMS (NOT INCLUDING WIRE);
 MINIMUM OPEN CIRCUIT RESISTANCE >10 MEG OHMS;
 TRIP FORCE 3.75 LBS ±1 LBS

ENVIRONMENTAL SPECIFICATIONS

MEETS OR EXCEEDS THE FOLLOWING: IP67; ASAE EP 455.5.8.2 & 455.5.13;
 ASTM B117; DELTA QS 10.02.20

LIFE CYCLE

100,000 CYCLES @ 300 MA INDUCTIVE LOAD (LR90143 & VF4 RELAYS) (B)

- NOTES:
- 1-PLASTIC PARTS ARE BLACK CELCON; BUTTONS ARE ELASTOMER - RED.
 - 2-WIRE POSITION CRITICAL
 - 3-WIRE SPECIFICATIONS:
 - 18 GA TIN COATED COPPER 7/26 STRANDING
 - PVC INSULATION O.D. .068" ±.005'
 - VOLTAGE RATING 600 VOLTS
 - TEMPERATURE RATING 105°C

DELTA SYSTEMS, INC. DOES NOT ASSUME ANY LIABILITY ARISING OUT OF THE MISAPPLICATION OF ANY PRODUCT		UNLESS OTHERWISE SPECIFIED DIMENSIONS ARE IN INCHES TOLERANCES ARE: ANG 1°	
COMPUTER GENERATED DRAWING - NO MANUAL CHANGES ALLOWED	DO NOT SCALE DRAWING	DATE	01/09/04
DRWN	JLM	CHECKED	MA
DATE	01/09/04	DATE	01/09/04
MATERIAL	AS NOTED	FINISH	AS NOTED
MINI TRIM SWITCH BMCA P/N 586351		SIZE	C
DMC. NO. 7152-01		SCALE	FULL
PROJECT NO. EX 365		REV	C

