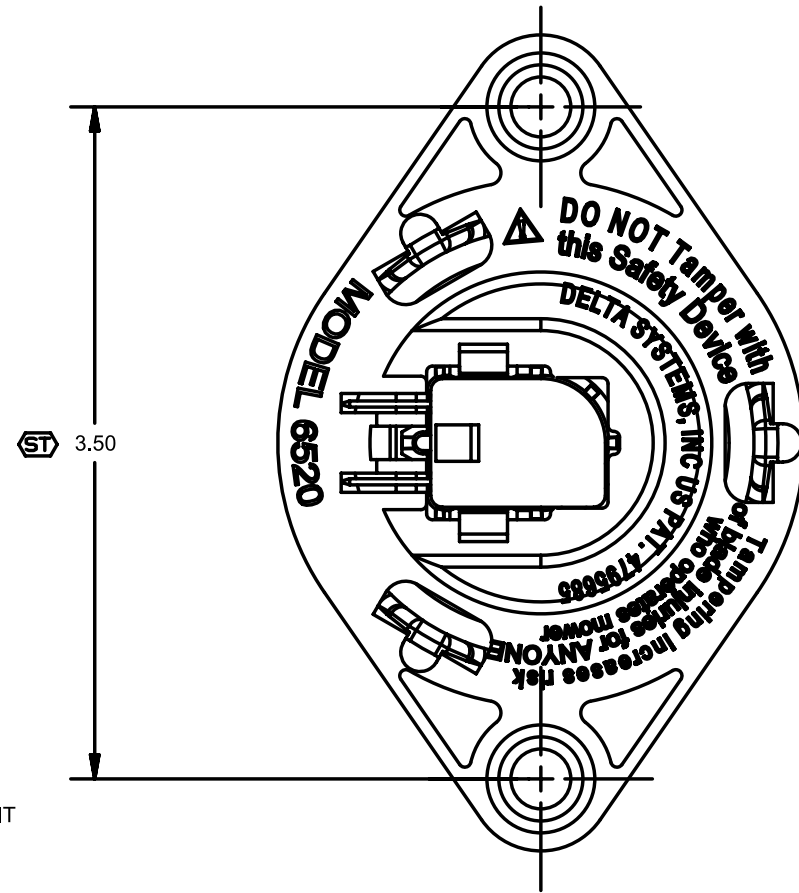
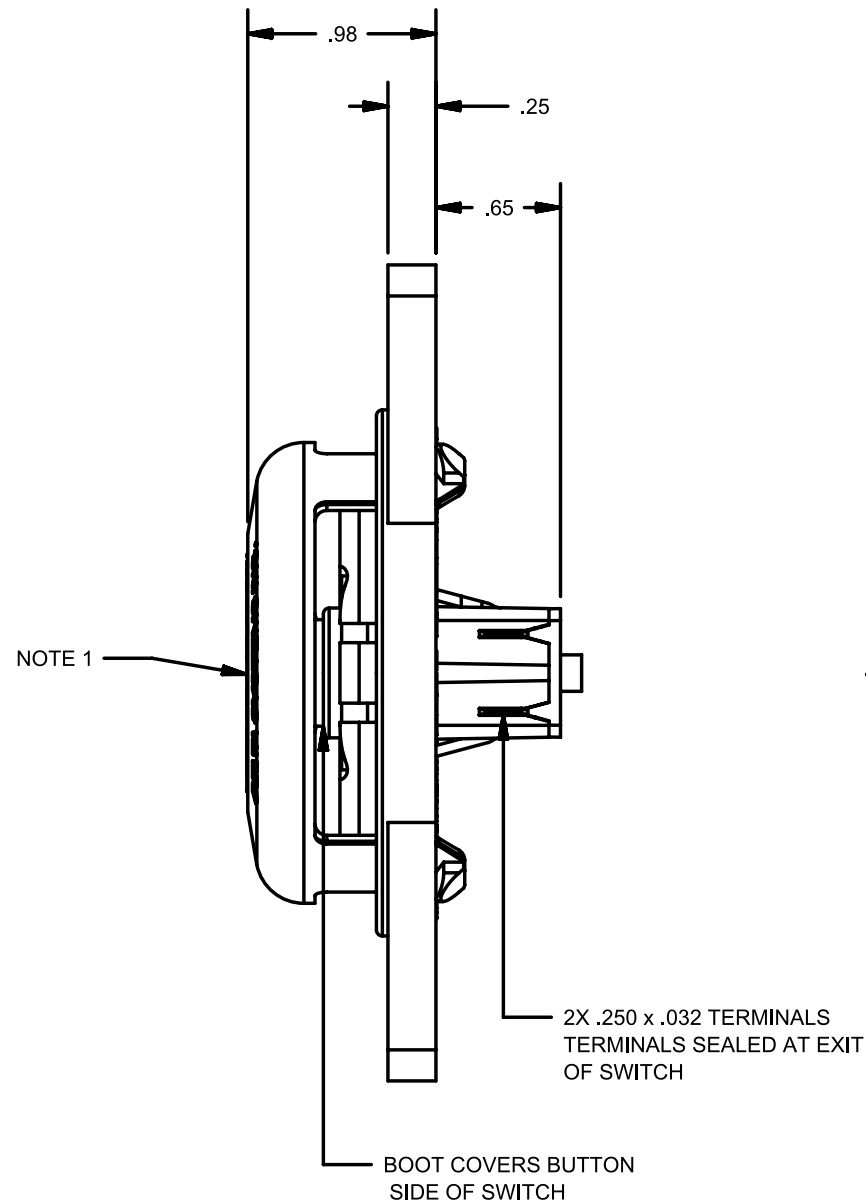
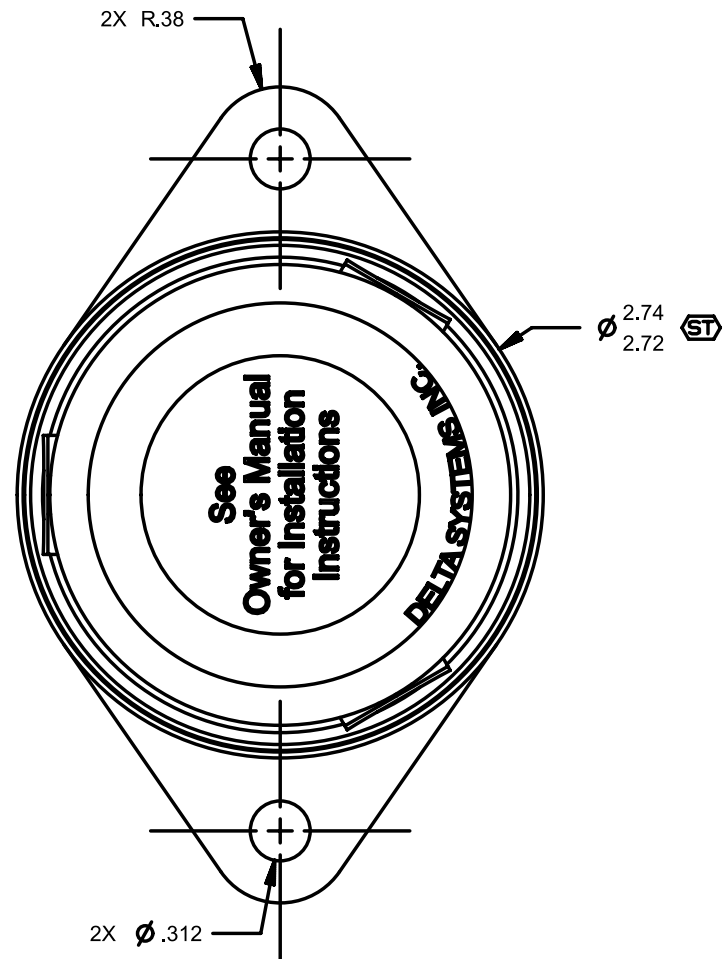


REVISIONS			
REV.	DESCRIPTION	DATE	INIT
0	INITIAL RELEASE	08/10/15	MJS



NOTES

- 1) .040-.150 MOTION TO OPEN CONTACTS
- 2) PLASTIC PARTS - POLYPROPYLENE
TERMINALS - NICKEL PLATED BRASS
BOOT - THERMOPLASTIC ELASTOMER
- 3) DATE CODE INDICATING YEAR, MONTH, AND DAY OF MONTH MANUFACTURED MARKED ON HOUSING
- 4) INTEGRITY OF WELD & SWITCH FUNCTIONALITY TESTED AFTER ASSEMBLY
- 5) DELTA IS RESPONSIBLE FOR COMPLIANCE TO THIS SPECIFICATION. THE FUNCTION AND ADEQUACY OF THE SAFETY "SYSTEM" IN WHICH THIS COMPONENT IS USED IS THE RESPONSIBILITY OF THOSE THAT DESIGN AND BUILD THE SYSTEM (INCLUDING BUT NOT LIMITED TO THE SEAT DESIGN, SWITCH LOCATION, FOAM DENSITY, AND OVERALL DESIGN).
- 6) INTERPRET THIS DRAWING IN ACCORDANCE WITH ASME Y14.5-2009

PROPRIETARY & CONFIDENTIAL THE INFORMATION CONTAINED IN THIS DRAWING IS THE SOLE PROPERTY OF DELTA SYSTEMS. ANY REPRODUCTION IN PART OR AS A WHOLE WITHOUT THE WRITTEN PERMISSION OF DELTA SYSTEMS IS PROHIBITED.	UNLESS OTHERWISE SPECIFIED DIMENSIONS ARE IN INCHES TOLERANCES ARE: .X± .1 .XX± .02 .XXX± .005 X*± 1°	DRAWN mschwenning	DATE 23-Jul-2015	 1734 FROST ROAD STREETSBORO, OHIO 44241 330-626-2811 WWW.DELTASYSTEMSINC.COM
		CHECKED bkirkman	DATE 10-Aug-2015	
DELTA SYSTEMS INC. DOES NOT ASSUME ANY LIABILITY ARISING OUT OF THE MISAPPLICATION OF ANY PRODUCT	COMPUTER GENERATED DRAWING - NO MANUAL CHANGES ALLOWED	APPROVED ikirbawy	DATE 10-Aug-2015	TITLE N.C. Snap Mount Switch Assembly
		MATERIAL SEE NOTE 2	PROJECTED VIEWS ARE 3RD ANGLE 	SIZE B
		CAP/FRAME BLACK, SWITCH BODY GRAY DO NOT SCALE DRAWING	STATUS DS4_Design	DWG. NO. 6520-61_APP
				SCALE NTS
				SHEET 1 OF 1
				PROJECT NO. E-323
				REVISION 0