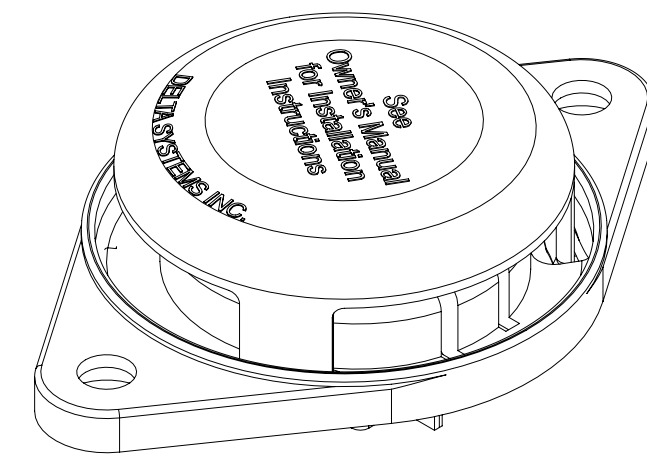
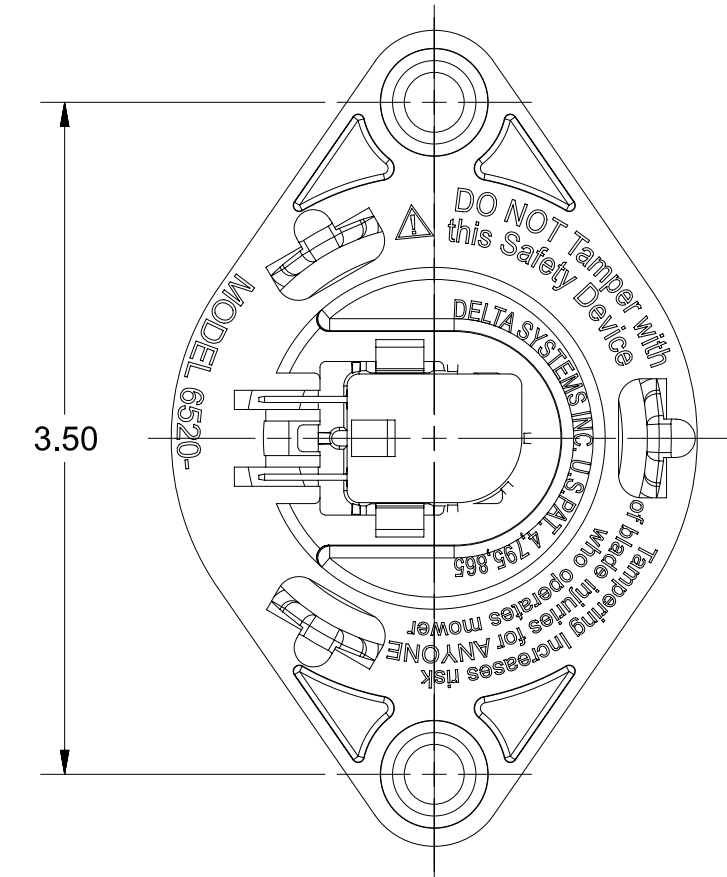
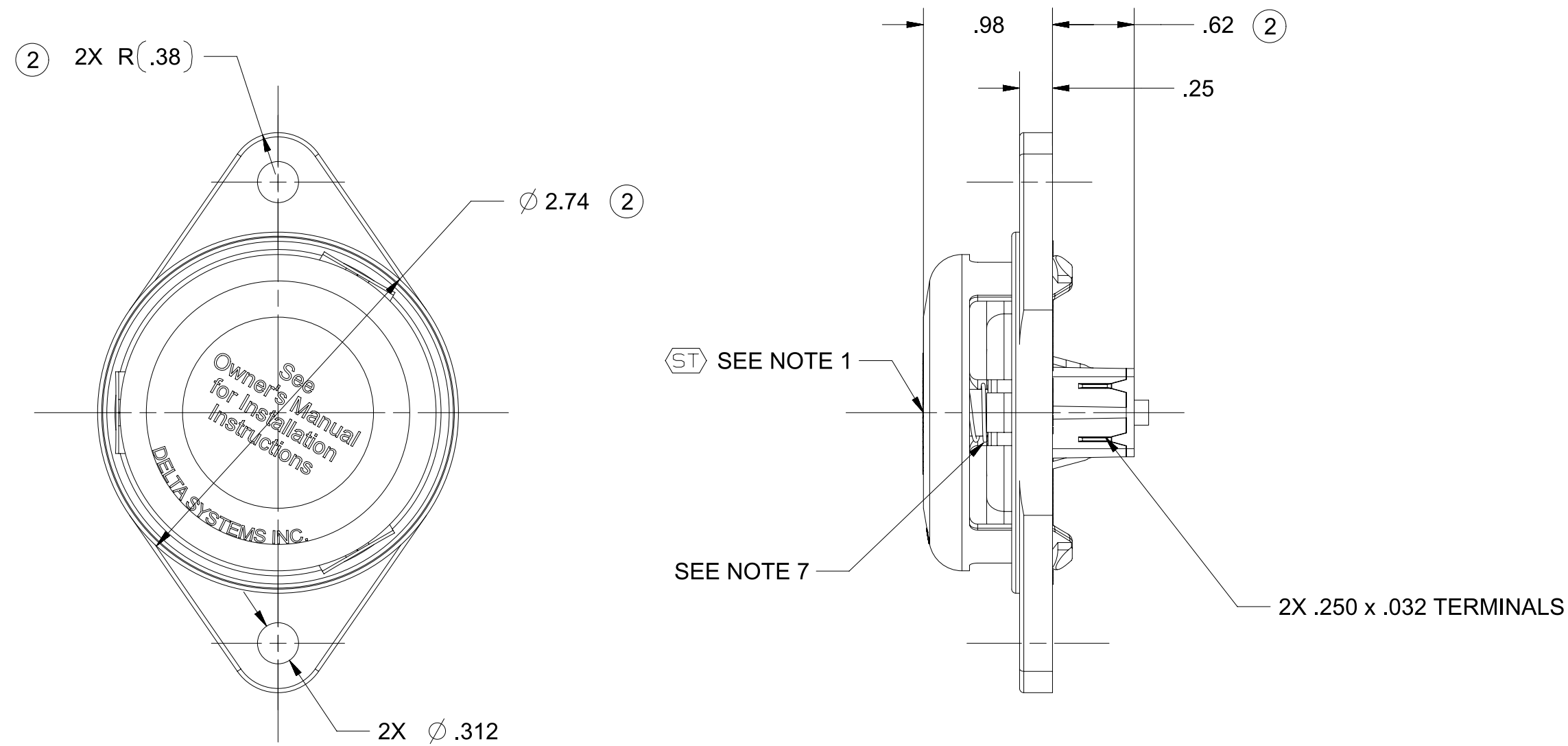


REVISIONS

REV.	DESCRIPTION	DATE	INIT
~	INITIAL RELEASE, CR 1434	06/13/01	JH
A	REM.2.74/2.72 CRIT. CHAR. CN1417	04/14/08	MA
2	REMOVED "DELTON" FROM MATERIAL NOTE, (.38) WAS .37, 2.74 WAS 2.74/2.72, .62 WAS .61	04/26/17	PJC



NOTES

- 1) .040-.150 MOTION TO MAKE OR BREAK CONTACTS.
- 2) PLASTIC PARTS - UV STABLE, FUEL RESISTANT THERMOPLASTIC. TERMINALS - NICKEL PLATED BRASS.
- 3) DATE CODE INDICATING YEAR, MONTH, AND DAY OF MONTH MANUFACTURED STAMPED ON HOUSING.
- 4) INTERGRITY OF WELD AND SWITCH FUNCTIONALITY TESTED AFTER ASSEMBLY.
- 5) DELTA IS RESPONSIBLE FOR COMPLIANCE TO THIS SPECIFICATION. THE FUNCTION AND ADEQUACY OF THE SAFETY "SYSTEM" FOR WHICH THIS COMPONENT IS USED IS THE RESPONSIBILITY OF THOSE THAT DESIGN AND BUILD THE SYSTEM (INCLUDING BUT NOT LIMITED TO THE SEAT DESIGN, SWITCH LOCATION, FOAM DENSITY AND DESIGN).
- 6) THIS PRODUCT COVERED BY ON OR MORE OF THE FOLLOWING U.S. PATENTS: 4,812,604; 4,795,865. OTHER PATENTS APPLIED FOR.
- 7) ACTUATOR CUP HELPER SPRING
- 8) INTERPRET THIS DRAWING ACCORDING WITH ASME Y14.5-2009.

PROPRIETARY & CONFIDENTIAL THE INFORMATION CONTAINED IN THIS DRAWING IS THE SOLE PROPERTY OF DELTA SYSTEMS. ANY REPRODUCTION IN PART OR AS A WHOLE WITHOUT THE WRITTEN PERMISSION OF DELTA SYSTEMS IS PROHIBITED.	UNLESS OTHERWISE SPECIFIED DIMENSIONS ARE IN INCHES TOLERANCES ARE: .X ± .1 .XX ± .02 .XXX ± .005 X° ± 1	DRAWN jdh DATE 13-Jun-2001	DELTA SYSTEMS 1734 FROST ROAD STREETSBORO, OHIO 44241 330-626-2811 WWW.DELTASYSTEMSINC.COM
		CHECKED jharvey DATE 13-Jun-2001	
DELTA SYSTEMS INC. DOES NOT ASSUME ANY LIABILITY ARISING OUT OF THE MISAPPLICATION OF ANY PRODUCT	COMPUTER GENERATED DRAWING - NO MANUAL CHANGES ALLOWED	APPROVED ikirbaw DATE 18-May-2017	PROJECTED VIEWS ARE 3RD ANGLE
		MATERIAL SEE NOTE 2	SCALE C SHEET 1 OF 1 PROJECT NO. EX311 REVISION 2