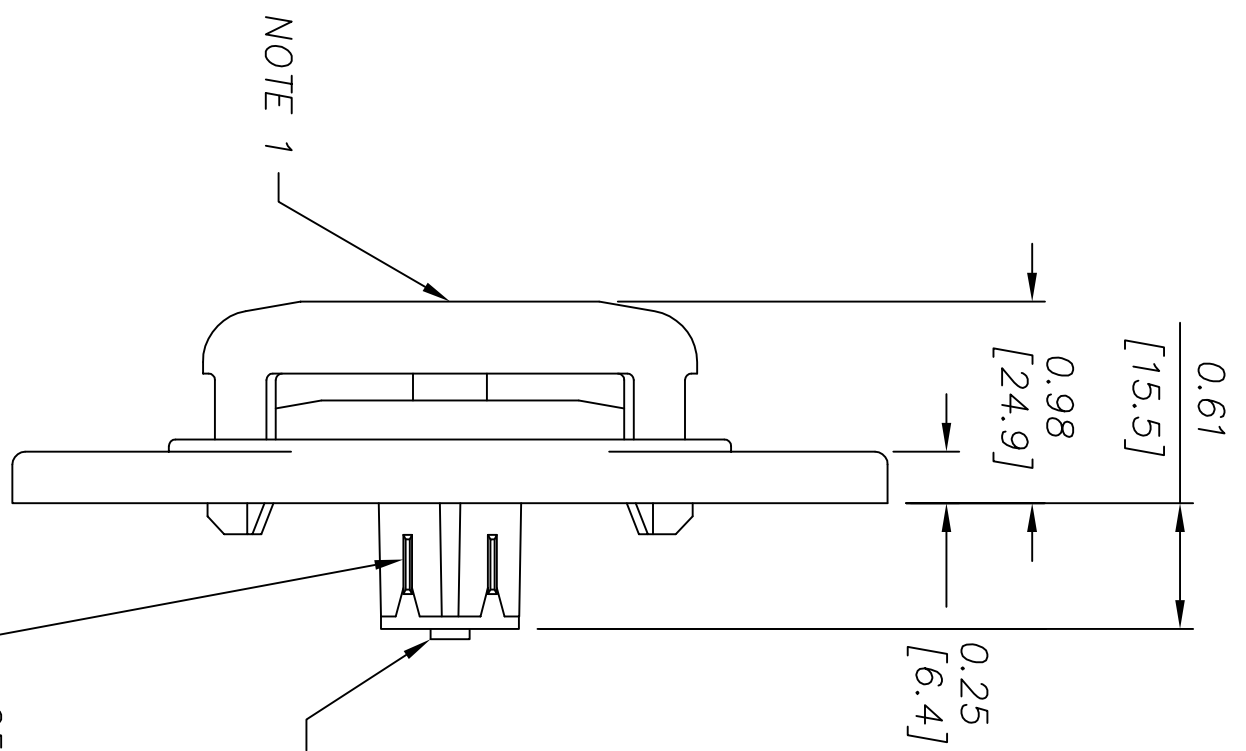
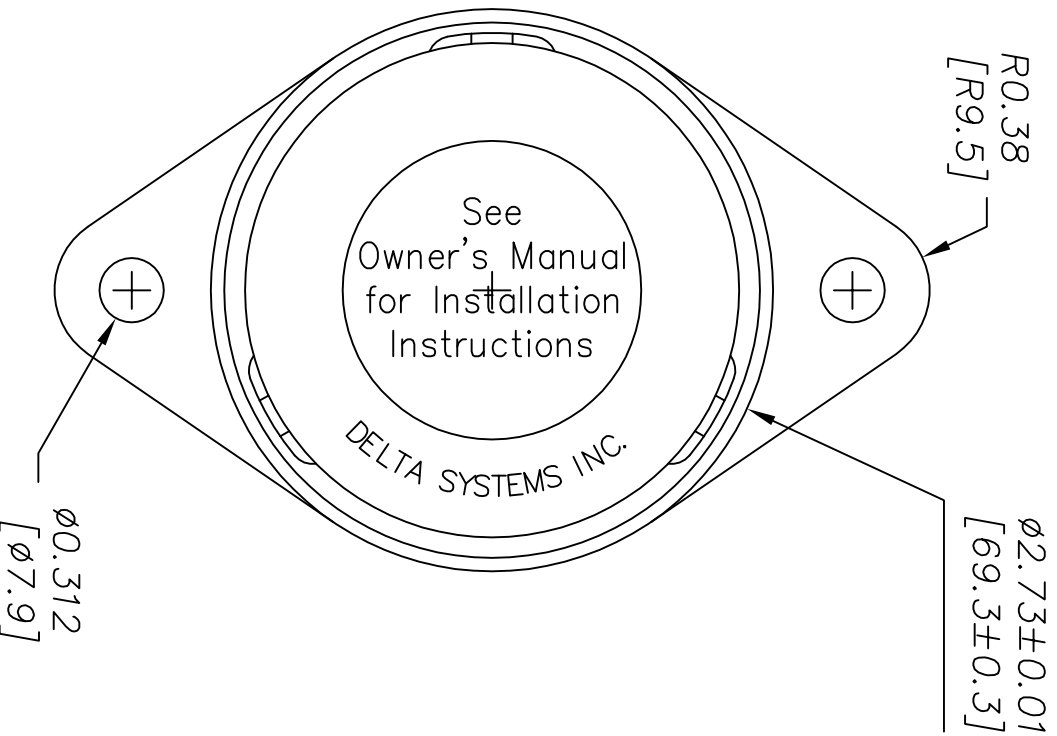
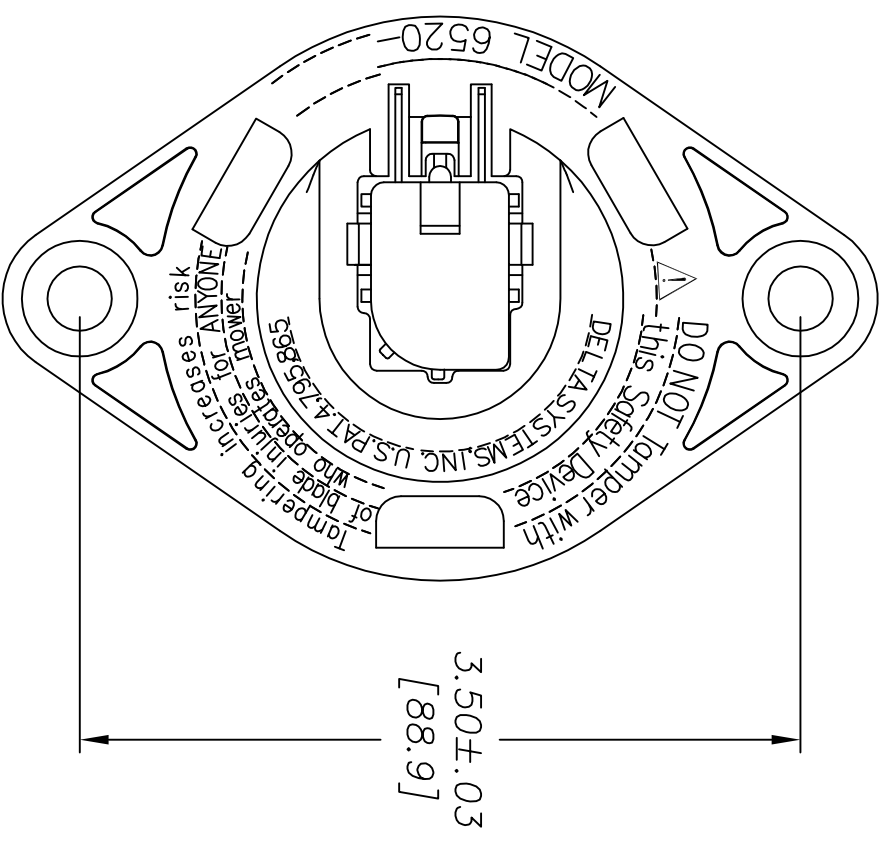


REVISIONS			
REV	DESCRIPTION	DATE	BY
B	ADDED NOTE 6, CR 591	07/06/94	TW
C	ADDED NOTE 7	02/05/96	TW
D	ADDED LEGS TO BACK VIEW, CR 795	03/19/96	TW
E	FRAME DESIGN CHANGE, CR1251	08/09/00	JH
F	ADDED METRIC DIMENSIONS, CN 0963	02/09/05	JH
G	REM. CRIT. CHARACTERISTICS, CN1417	04/14/08	MA
H	UPDATE MATERIAL CR1908	07/21/10	ERB



TERMINAL PATTERN & LOCKING TAB TO MATE WITH DSI CONNECTOR P/N 96526-BK



NOTES:

- 1-.040 [1.0] – .150 [3.8] MOTION TO CLOSE CONTACTS.
- 2-PLASTIC PARTS – POLYPROPYLENE TERMINALS – NICKEL PLATED BRASS.
- 3-DATE CODE INDICATING YEAR, MONTH, AND DAY OF MONTH MANUFACTURED STAMPED ON HOUSING.
- 4-INTEGRITY OF WELD & SWITCH FUNCTIONALITY TESTED AFTER ASSEMBLY.
- 5-SWITCH IS BLACK. ACTUATOR CUP & FRAME ARE GRAY.
- 6-DELTA IS RESPONSIBLE FOR COMPLIANCE TO THIS SPECIFICATION. THE FUNCTION AND ADEQUACY OF THE SAFETY "SYSTEM" IN WHICH THIS COMPONENT IS USED IS THE RESPONSIBILITY OF THOSE THAT DESIGN AND BUILD THE SYSTEM (INCLUDING BUT NOT LIMITED TO THE SEAT DESIGN, SWITCH LOCATION, FOAM DENSITY AND DESIGN).
- 7-THIS PRODUCT COVERED BY ONE OR MORE OF THE FOLLOWING U.S. PATENTS; 4,812,604; 4,795,865. OTHER PATENTS APPLIED FOR.

DELTA SYSTEMS, INC. DOES NOT ASSUME ANY LIABILITY ARISING OUT OF THE MISAPPLICATION OF ANY PRODUCT

UNLESS OTHERWISE SPECIFIED DIMENSIONS ARE IN INCHES TOLERANCES ARE:

.XX± .020 .XXX± .005 ANG± [0.5] [0.1]

DO NOT SCALE DRAWING

DRAWN	DATE
AJC	06/09/92

CHECKED	DATE
TW	06/10/92

DELTA
SYSTEMS INC.
STREETSBORO, OHIO 44241

TITLE: MODEL 6520 – ROUND SEAT SWITCH – NORMALLY OPEN

SIZE	DWG. NO.	PROJECT NO.	REV
B	6520	E-323	H

SCALE: FULL SHEET 1 OF 1