

8

7

6

5

4

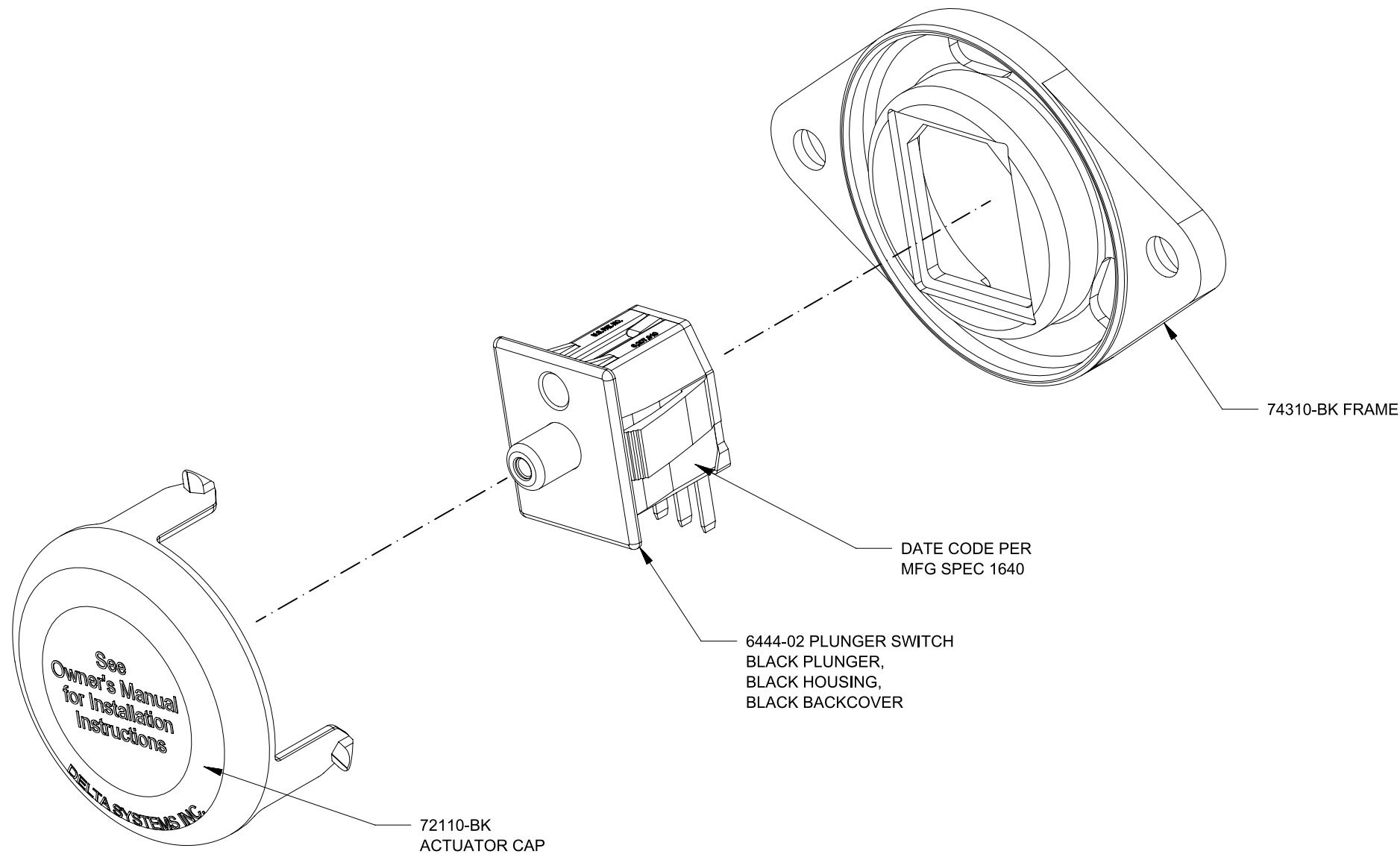
3

2

1

REVISIONS

REV.	DESCRIPTION	DATE	INIT
A	UPDATED MOD. BACK COVER CR1742	08/27/09	MA
B	ADDED SWITCH DESC., CN2689	01/24/11	CAK
3	MIGRATED TO NX, ADDED NOTES, ECO 744	04/26/17	PJC



NOTES

- MUST BE IN COMPLIANCE WITH DIRECTIVE 2011/65/EU OF THE EUROPEAN PARLIAMENT AND THE COUNCIL OF 8 JUNE 2011 ON THE RESTRICTION OF THE USE OF CERTAIN HAZARDOUS SUBSTANCES IN ELECTRICAL AND ELECTRONIC EQUIPMENT (ROHS DIRECTIVE)
- INTERPRET THIS DRAWING IN ACCORDANCE WITH ASME Y14.5-2009

PROPRIETARY & CONFIDENTIAL THE INFORMATION CONTAINED IN THIS DRAWING IS THE SOLE PROPERTY OF DELTA SYSTEMS. ANY REPRODUCTION IN PART OR AS A WHOLE WITHOUT THE WRITTEN PERMISSION OF DELTA SYSTEMS IS PROHIBITED.	UNLESS OTHERWISE SPECIFIED DIMENSIONS ARE IN INCHES TOLERANCES ARE: .X± .1 .XX± .02 .XXX± .005 X°± 1°	DRAWN malbrecht	DATE 16-Oct-2006	DELTA SYSTEMS 1734 FROST ROAD STREETSBORO, OHIO 44241 330-626-2811 WWW.DELTASYSTEMSINC.COM
		CHECKED jmichaud	DATE 02-Nov-2006	
APPROVED ikirbawy	DATE 26-May-2017	MATERIAL POLYPROPYLENE	PROJECTED VIEWS ARE 3RD ANGLE 	
DELTA SYSTEMS INC. DOES NOT ASSUME ANY LIABILITY ARISING OUT OF THE MISAPPLICATION OF ANY PRODUCT	COMPUTER GENERATED DRAWING - NO MANUAL CHANGES ALLOWED	FINISH	DO NOT SCALE DRAWING	TITLE NO/NO BOLT MOUNT SEAT SWITCH SIZE B DWG. NO. 6522-02 SCALE NTS SHEET 1 OF 1 PROJECT NO. EX360 REVISION 3

8

7

6

5

4

3

2

1