

8

7

6

5

4

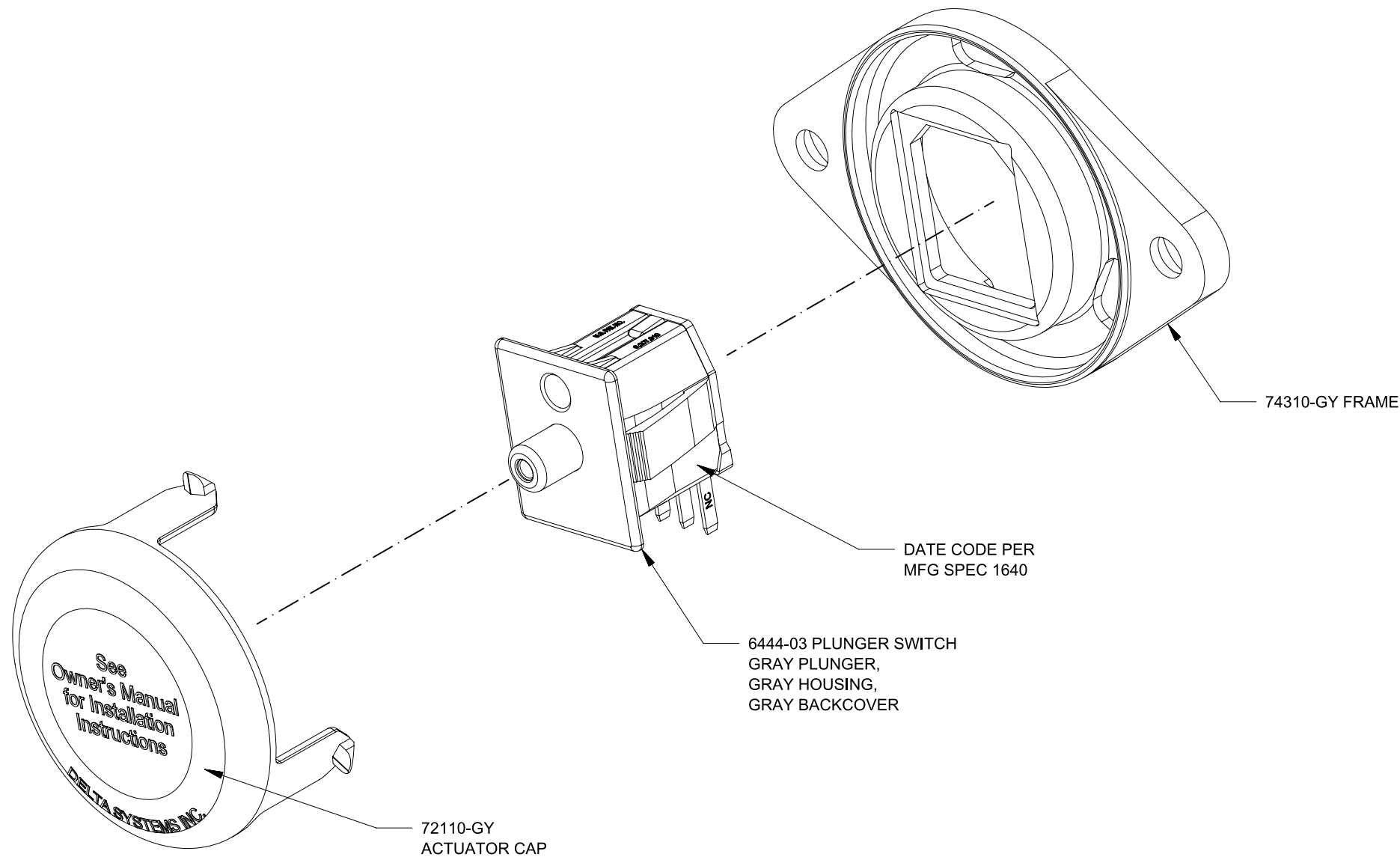
3

2

1

REVISIONS

| REV. | DESCRIPTION | DATE | INIT |
|------|--------------------------------------|----------|------|
| A | UPDATED MOD. BACK COVER CR1742 | 08/27/09 | MA |
| B | ADDED SWITCH DESC., CN2689 | 01/24/11 | CAK |
| 3 | MIGRATED TO NX, ADDED NOTES, ECO 744 | 04/26/17 | PJC |



NOTES

- MUST BE IN COMPLIANCE WITH DIRECTIVE 2011/65/EU OF THE EUROPEAN PARLIAMENT AND THE COUNCIL OF 8 JUNE 2011 ON THE RESTRICTION OF THE USE OF CERTAIN HAZARDOUS SUBSTANCES IN ELECTRICAL AND ELECTRONIC EQUIPMENT (ROHS DIRECTIVE)
- INTERPRET THIS DRAWING IN ACCORDANCE WITH ASME Y14.5-2009

| | | | | | | | |
|--|--|---------------------------|----------------------------------|---|---------------------------------------|----------------------|---------------|
| PROPRIETARY & CONFIDENTIAL THE INFORMATION CONTAINED IN THIS DRAWING IS THE SOLE PROPERTY OF DELTA SYSTEMS. ANY REPRODUCTION IN PART OR AS A WHOLE WITHOUT THE WRITTEN PERMISSION OF DELTA SYSTEMS IS PROHIBITED. | UNLESS OTHERWISE SPECIFIED DIMENSIONS ARE IN INCHES TOLERANCES ARE: .X± .1 .XX± .02 .XXX± .005 X°± 1° | DRAWN malbrecht | DATE 16-Oct-2006 | 1734 FROST ROAD STREETSBORO, OHIO 44241 330-626-2811 WWW.DELTASYSTEMSINC.COM | | | |
| | | CHECKED jmichaud | DATE 02-Nov-2006 | | | | |
| APPROVED ikirbawy | DATE 26-May-2017 | MATERIAL POLYPROPYLENE | PROJECTED VIEWS ARE 3RD ANGLE | | TITLE NC/NC BOLT MOUNT SEAT SWITCH | | |
| DELTA SYSTEMS INC. DOES NOT ASSUME ANY LIABILITY ARISING OUT OF THE MISAPPLICATION OF ANY PRODUCT | COMPUTER GENERATED DRAWING - NO MANUAL CHANGES ALLOWED | FINISH | | SIZE B | DWG. NO. 6522-03 | | |
| | | DO NOT SCALE DRAWING | STATUS DS4_Design | SCALE NTS | SHEET 1 OF 1 | PROJECT NO. EX360 | REVISION 3 |

8

7

6

5

4

3

2

1