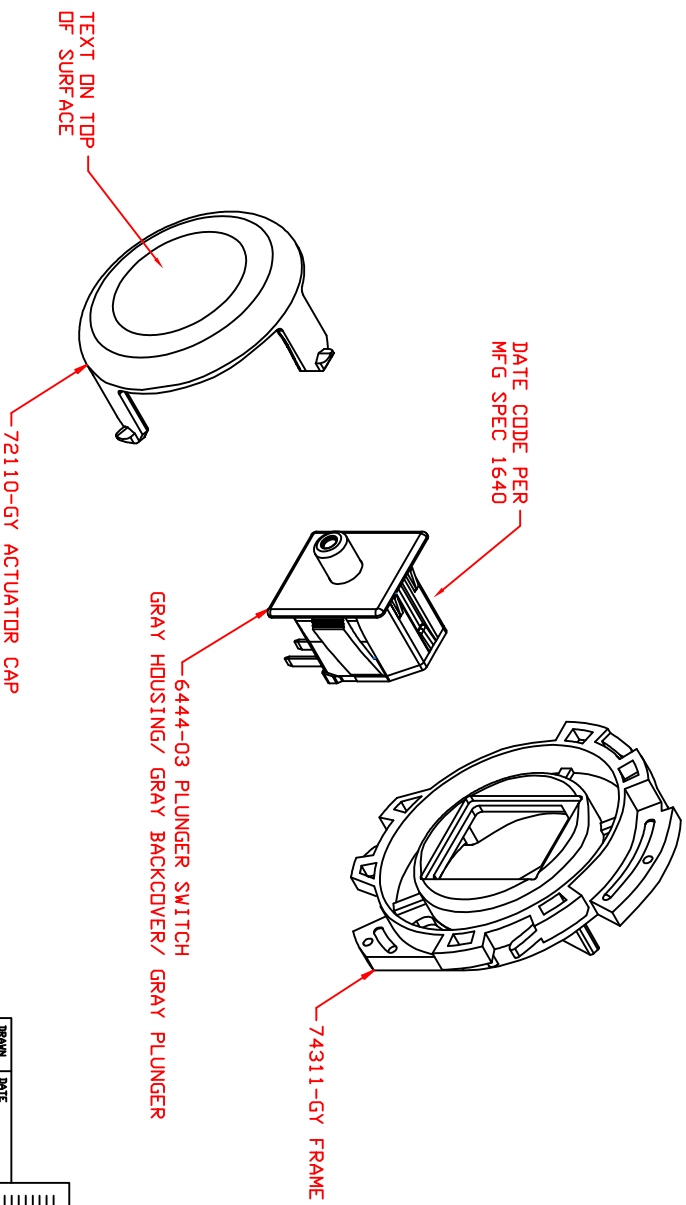


REVISIONS			
~	INITIAL RELEASE, CR1338	10/11/99	JH
A	UPDATED MOD. BACK COVER, CR1742	08/27/09	MA
B	ADDED SWITCH DESC, CN2689	01/24/11	CAK



UNLESS OTHERWISE SPECIFIED
DIMENSIONS ARE IN INCHES
TOLERANCES ARE:
.XXX
ANGS

COMPUTER GENERATED
DRAWING - NO MANUAL
CHANGES ALLOWED

XXX
DID NOT SCALE DRAWING

DATE	10/8/99
CHECKED	JH
DATE	06/29/99
BY	MEL
DATE	10/8/99
CHECKED	JH
DATE	06/29/99
BY	MEL

MATERIAL: PDL YPRDPPYLENE

FINISH:

SCALE: FULL

SIZE: B

PRODUCT NO: EX360

REV: B

DELTA
SYSTEMS INC.
STRETSBORD, OHIO 44241

TITLE: NC/NC QUICK MOUNT SEAT SWITCH ASSEMBLY