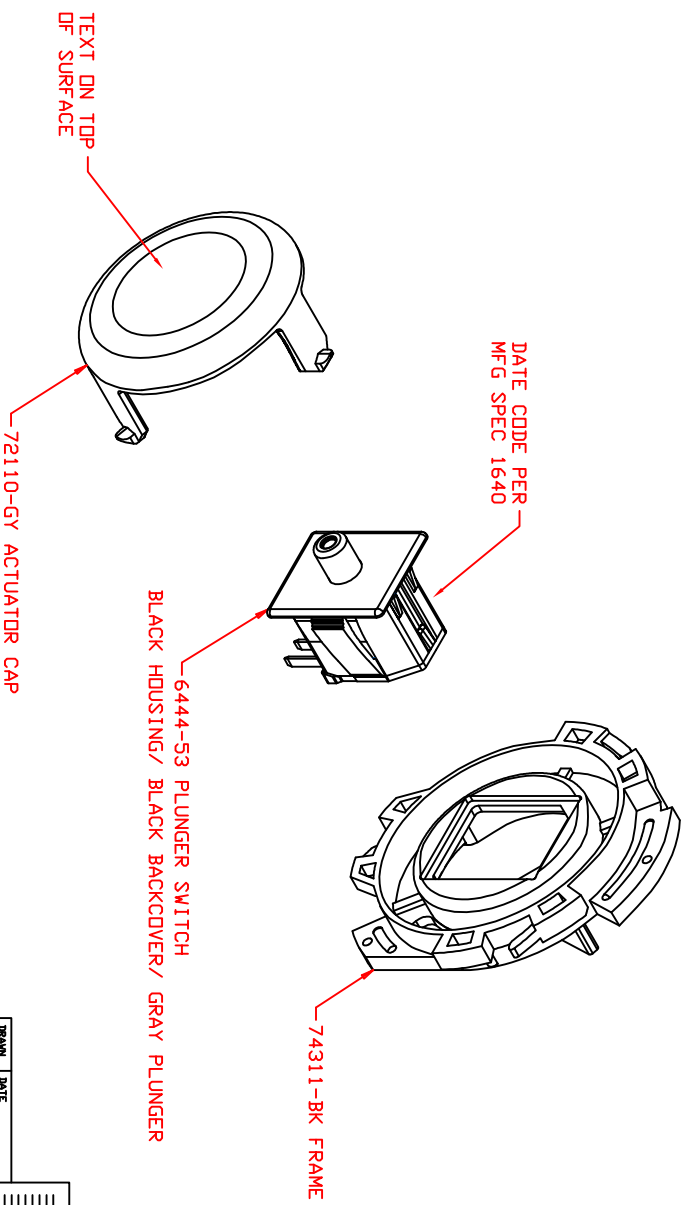


REVISIONS			
~	INITIAL RELEASE, CR1338	10/11/99	JH
A	UPDATED MOD. BACK COVER, CR1742	08/27/09	MA
B	ADDED SWITCH DESC, CN2689	01/24/11	CAK



UNLESS OTHERWISE SPECIFIED DIMENSIONS ARE IN INCHES TOLERANCES ARE: .XXX ANG3		COMPUTER GENERATED DRAWING - NO MANUAL CHANGES ALLOWED	
DID NOT SCALE DRAWING		FINISH PULYPROPYLENE	
DRAWN MEL	DATE 06/29/99	TITLE NC/ND QUICK MOUNT SEAT SWITCH ASSEMBLY	
CHECKED JH	DATE 10/8/99	SIZE B	TMC. NO. 6544-53
DELTA SYSTEMS INC. STREETSBRD, OHIO 44241		SCALE FULL	PRODUCT NO. EX360
		REV B	