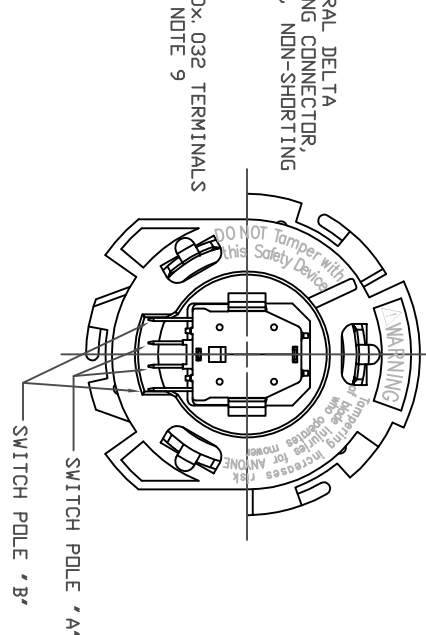
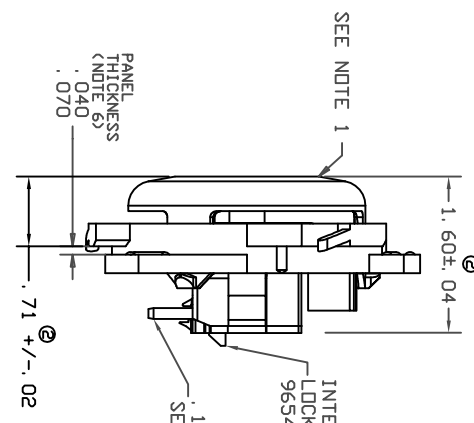
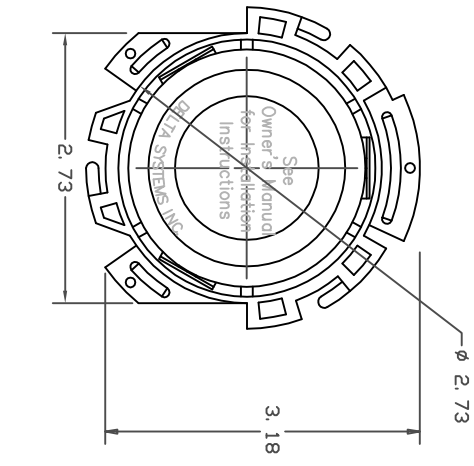
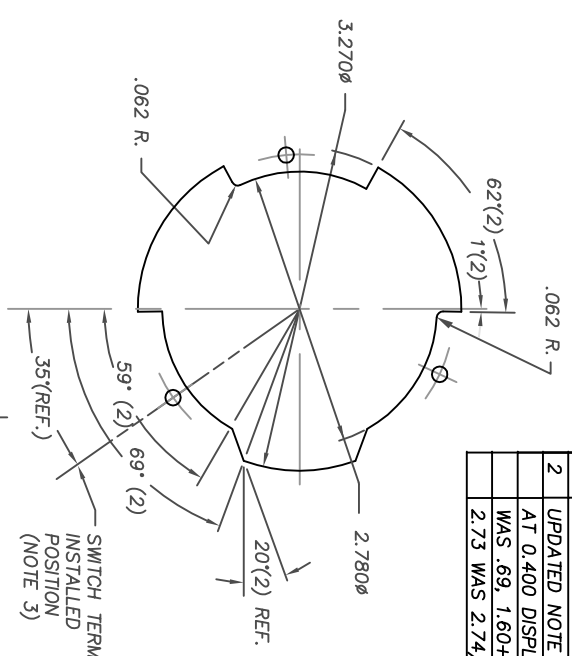
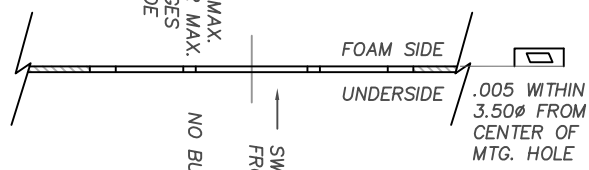
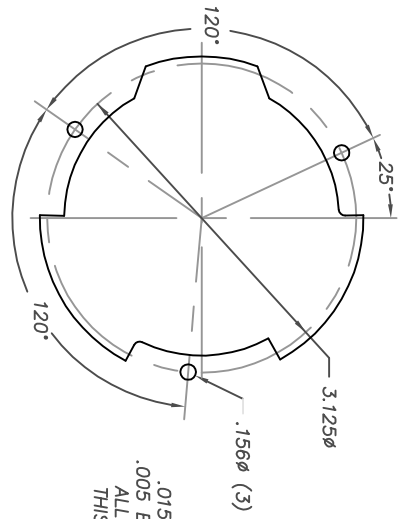


RECOMMENDED MOUNTING HOLE
(FOR REFERENCE ONLY)



REVISIONS

~	INITIAL RELEASE, CR1457	02/21/02	JH
A	UPDATED MOD. BACK COVER, CR1742	08/27/09	MA
2	UPDATED NOTE 4, WAS 4.6+/-1.7 LB AT 0.400 DISPLACEMENT, 0.71+/-0.02 WAS .69, 1.60+/-0.04 WAS 1.58, 2.73 WAS 2.74/2.72		
		05/30/17	PJC

DELTA SYSTEMS, INC.

FILE# AU3028

YCF72

YCF72-AU3028

Industrial Truck Accessories, Battery-Powered - Component

The devices covered under this category are incomplete in certain constructional features or restricted in performance capabilities and are intended for use as components of complete equipment submitted for investigation rather than for direct separate installation in the field. THE FINAL ACCEPTANCE OF THE COMPONENT IS DEPENDENT UPON ITS INSTALLATION AND USE IN COMPLETE EQUIPMENT SUBMITTED TO UNDERWRITERS LABORATORIES INC.

Battery-powered industrial truck accessories are horns, hour meters, dc motors, contactors, speed control systems, enclosed batteries, and battery indicators which, because of design features such as spacings, electrical ratings, performance tests, etc., are limited to use in Industrial Trucks.

NOTES

- 1) .040-150 DEPRESSION REQUIRED FOR ELECTRICAL POLE CHANGE OF STATE.
- 2) PLASTIC MATERIAL - CAP AND FRAME; UV STABLE; FUEL RESISTANT; THERMOPLASTIC;
- 3) INNER SWITCH - FLAME RETARDANT POLYPROPYLENE; TERMINALS - BRASS
- 4) SWITCH REQUIRES 55° CLOCKWISE ROTATION TO LOCK IN PLACE
- 5) (AS VIEWED FROM TERMINAL SIDE OF MOUNTING PANEL).
- 6) FORCE TO DEPRESS CAP, .250" IS ± .010 LBS.
- 7) PROPERLY INSTALLED SWITCH FRAME WILL SUPPORT A STATIC LOAD OF 350 LBS. AT 60° F.
- 8) THICKNESS INCLUDES PAINT AND/OR ANY OTHER LAYERS APPLIED BETWEEN SWITCH AND PANEL.
- 9) DATE CODE INDICATING YEAR, MONTH, AND DAY OF MONTH MANUFACTURED STAMPED
- 10) DN HOUSING PRELIX V.61, SWITCH FUNCTIONALITY TESTED AFTER ASSEMBLY.
- 11) MOUNTING TERMINAL IS PACKAGED P/N 12094046 (19-16 GA WIRE)
- 12) UNMOUNTED TERMINAL IS PACKAGED P/N 12094046 (19-16 GA WIRE)
- 13) DELTA IS RESPONSIBLE FOR COMPLIANCE TO THIS SPECIFICATION. THE FUNCTION AND ADEQUACY OF THE SAFETY SYSTEM IN WHICH THIS COMPONENT IS USED IS THE RESPONSIBILITY OF THE DESIGNER AND BUILDER OF THE SYSTEM (INCLUDING BUT NOT LIMITED TO THE SEAT DESIGN, SWITCH LOCATION, FOAM DENSITY AND DESIGN).
- 14) THIS PRODUCT COVERED BY THE FOLLOWING U.S. PATENTS: 5,424,502 & 6,207,910.

DESIGNATES CRITICAL CHARACTERISTICS

TABLE 1

P/N	POLE	SHORTING	COLOR
6544-53FR	A B	YES	GRAY CAP BLACK FRAME, WHITE SWITCH

DELTA SYSTEMS, INC. DOES NOT ASSUME ANY LIABILITY ARISING OUT OF THE MISAPPLICATION OF ANY PRODUCT

UNLESS OTHERWISE SPECIFIED DIMENSIONS ARE IN INCHES AND TOLERANCES ARE AS SHOWN

COMPUTER GENERATED DRAWING - NO MANUAL CHANGES ALLOWED

DO NOT SCALE DRAWING

DELTA SYSTEMS INC.

STREETSBORO, OHIO 44241

TITLE UL REGISTERED, LOW PROFILE, 2 POLE, TWIST LOCK SEAT SWITCH

SIZE C

SCALE FULL

PROJECT NO. 6544-53FR

REV 2