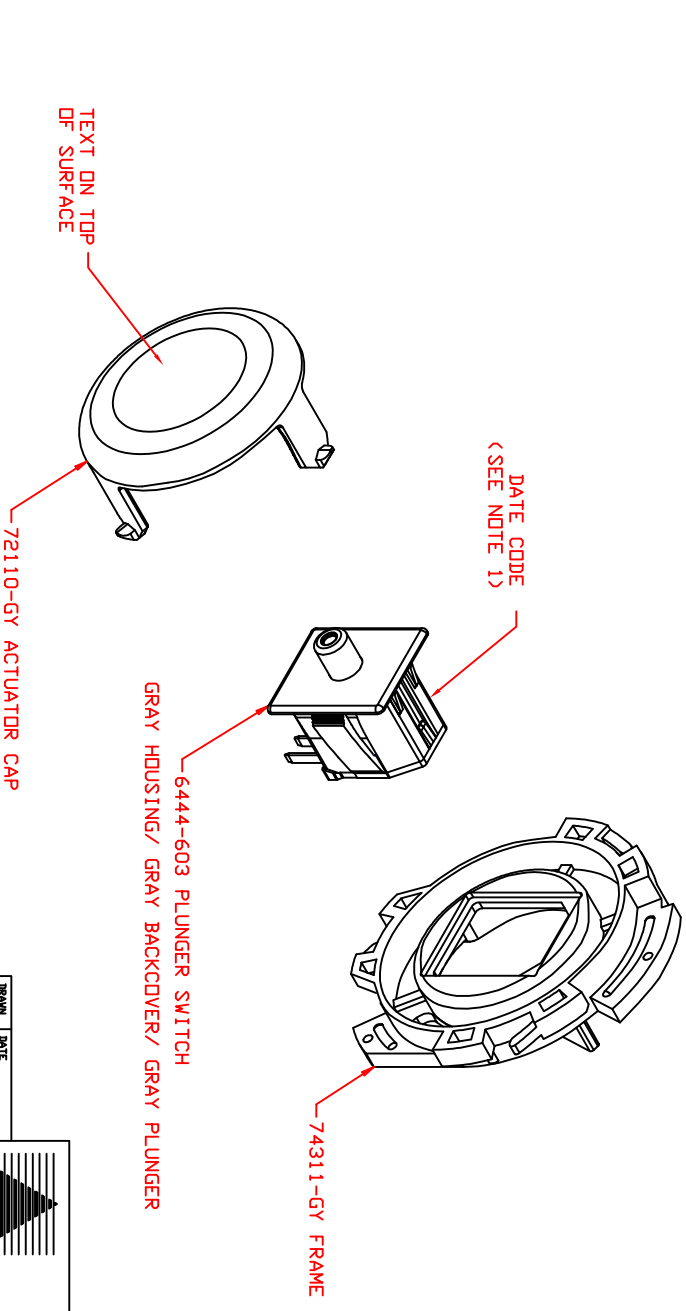


REVISIONS			
~	INITIAL RELEASE, CR1389	07/07/00	JH
A	CHANGED SPRING, CR1405	04/11/01	JH
B	UPDATED MOD. BACK COVER, CR1742	08/27/09	MA
C	ADDED SWITCH DESC, CN2689	01/24/11	CAK



**NOTES**  
 1-DATE CODE PER MFG SPEC #1640 DN  
 SWITCH(PREFIX WITH 6)

UNLESS OTHERWISE SPECIFIED DIMENSIONS ARE IN INCHES TOLERANCES ARE:		DRAWN		DATE	
.0005		LHM		07/07/00	
.0005		JH		07/07/00	
MATERIAL		FINISH		TITLE	
PDL YPRD PYLENE				NC/NC QUICK MOUNT SEAT SWITCH W/ 6# SPRING	
SCALE		SIZE		DWG. NO.	
FULL		B		6544-603	
PRODUCT NO.		REV		REV	
EX360		C		C	

DELTA SYSTEMS INC.  
STREETSBRD, OHIO 44241

COMPUTER GENERATED  
DRAWING - NO MANUAL  
CHANGES ALLOWED

UNLESS OTHERWISE SPECIFIED  
DIMENSIONS ARE IN INCHES  
TOLERANCES ARE:

DO NOT SCALE DRAWING