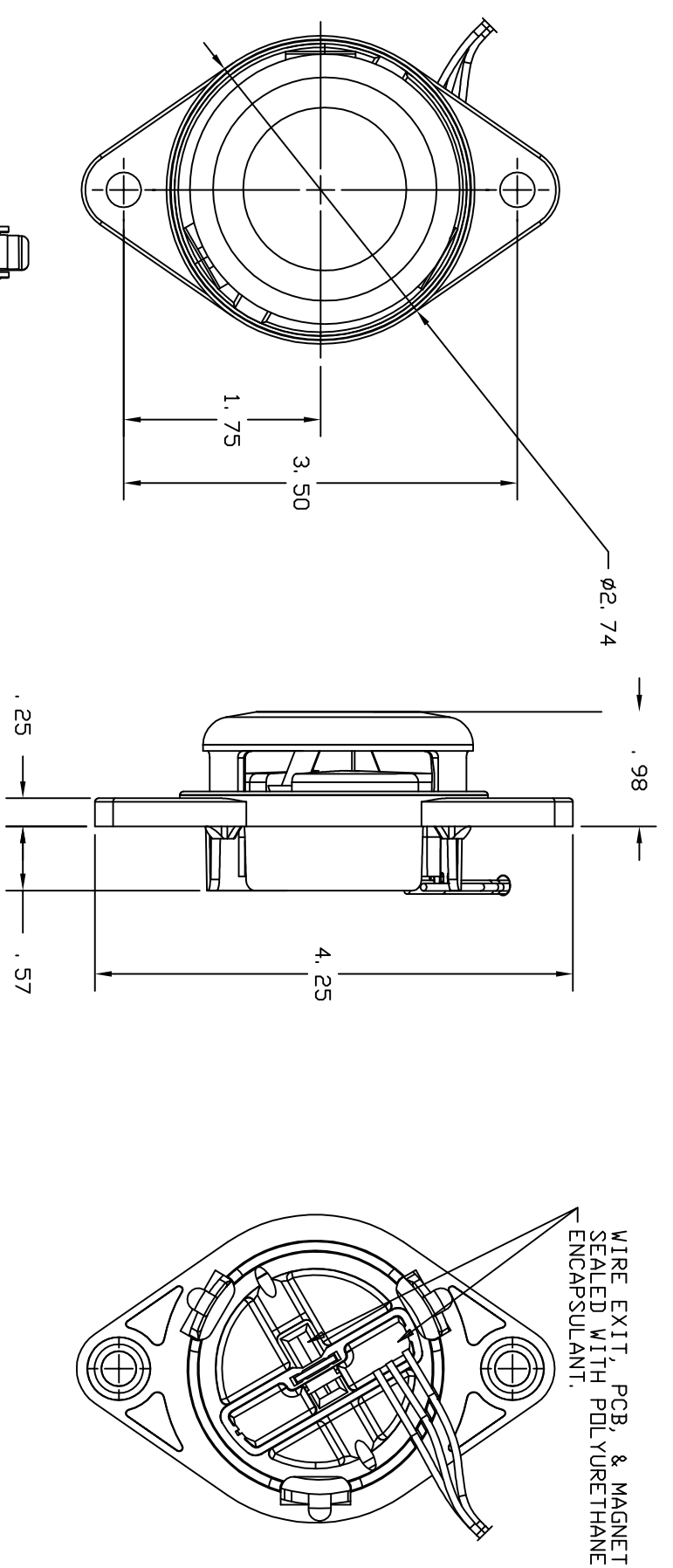


REVISIONS

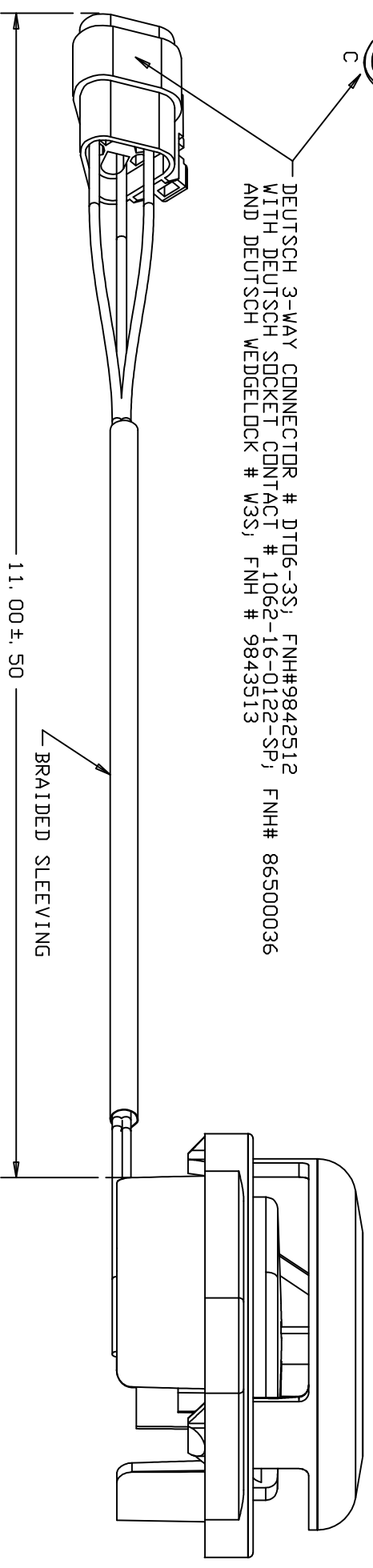
~	INITIAL RELEASE, CN2028	01/14/13	NWS
---	-------------------------	----------	-----



POSITION	TYPE
A	POWER RED / W WHITE
B	SIGNAL BLUE / W WHITE
C	GROUND GREEN / W WHITE

A  
B  
C

DEUTSCH 3-WAY CONNECTOR # DT06-3S; FNH#9842512 WITH DEUTSCH SOCKET CONTACT # 1062-16-0122-SP; FNH# 86500036 AND DEUTSCH WEDGELock # W3S; FNH # 9843513



FULL VIEW OF ASSEMBLY  
(SCALE = 1.5X)

NOTES:

- 1-INPUT VOLTAGE RANGE 9 TO 40VDC.
- 2-SIGNAL WIRE IS SINKING OUTPUT, 0V OUTPUT WHEN OUT OF SEAT, 10mA MAX., NOT ACTUATED 5V OUTPUT WHEN IN SEAT, SWITCH ACTUATED.
- 3-.05-.20 MOTION TO CAUSE CHANGE OF ELECTRICAL STATE.
- 4-PLASTIC PARTS- POLYPROPYLENE
- 5-ELECTRICAL CONNECTION- WIRE WITH DEUTSCH 3-WAY CONNECTOR
- 6-DATE CODE INDICATING YEAR, MONTH AND DAY OF MONTH MANUFACTURED STAMPED ON MOUNTING FRAME.
- 7-DELTA IS RESPONSIBLE FOR COMPLIANCE TO THIS SPECIFICATION. THE FUNCTION AND ADEQUACY OF THE SAFETY 'SYSTEM' IN WHICH THIS COMPONENT IS USED IS THE RESPONSIBILITY OF THOSE THAT DESIGN AND BUILD THE SYSTEM (INCLUDING BUT NOT LIMITED TO THE SEAT DESIGN, SWITCH LOCATION, FDAM DENSITY AND DESIGN).
- 8-US PATENT NO. 6,648,092
- 9-THIS PRODUCT IS IN COMPLIANCE WITH DIRECTIVE 2002/95/EC OF THE EUROPEAN PARLIAMENT AND COUNCIL OF 27 JANUARY 2003 ON THE RESTRICTION OF THE USE OF CERTAIN HAZARDOUS SUBSTANCES IN ELECTRICAL AND ELECTRONIC EQUIPMENT (ROHS DIRECTIVE).
- 10-ACTUATION FORCE 3.2 TO 4.2 LBS. AT 0.300" TRAVEL

DELTA SYSTEMS, INC. DOES NOT ASSUME ANY LIABILITY ARISING OUT OF THE MISAPPLICATION OF ANY PRODUCT		UNLESS OTHERWISE SPECIFIED DIMENSIONS ARE IN INCHES TOLERANCES ARE: .02 XXXX .005 ANGE 1°	
COMPUTER GENERATED DRAWING - NO MANUAL CHANGES ALLOWED	DO NOT SCALE DRAWING	DRAWN DATE NWS 03/12/12	CHECKED DATE JDW 09/07/12
MATERIAL AS NOTED		FINISH	
TITLE HALL EFFECT SEAT SWITCH		SIZE C	DIM. NO. 6540-007
SCALE		PROJECT NO. EX0240	REV ~

