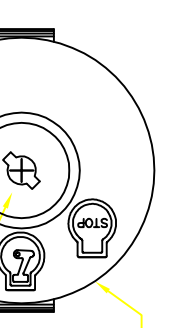


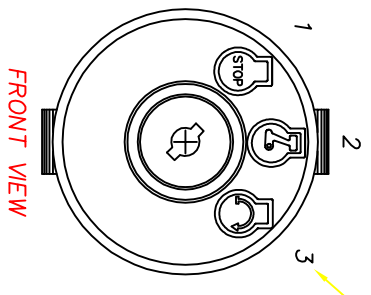
REVISIONS

B	REM'D CORE IN BACKCOVER, CR 1306	06/04/99	JH
C	UPDATED NOTE, MATERIAL IS BRONZE	7/13/99	ML
D	UPDATED GRAPHICS, CR1294	7/20/99	ML
E	DEFINED CRITICAL CHARACTERISTICS	05/08/00	JH
F	DIM .60 [15.2] & .22 [5.6], CN0553	09/05/02	JG
G	REMOVE CRITICAL DIM, CR 1477	06/02/03	JH
H	UPDATE MATERIAL CR1938	01/03/11	ERB

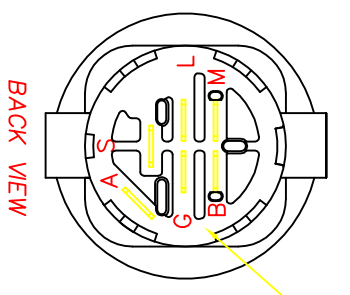


Ø2.06 [52.3]
SEAL BETWEEN ROTATING SHAFT AND SWITCH HOUSING

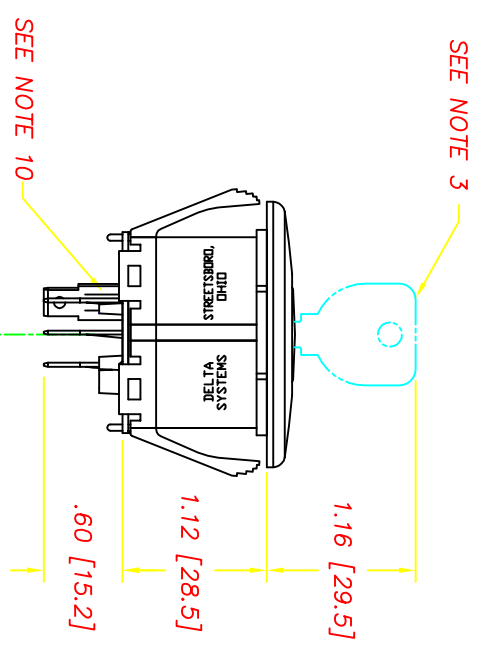
POSITION	ROTATION	FUNCTION	CONTACT
1	0°	OFF	M+G
2	45°	RUN	B+L+A
3	85°	START	B+L+S



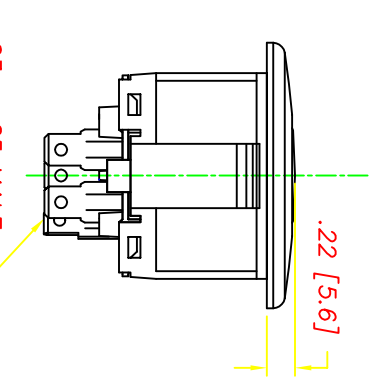
(NOTE 11)



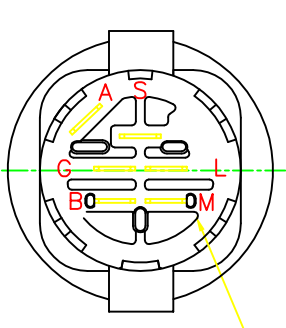
(NOTE 9)



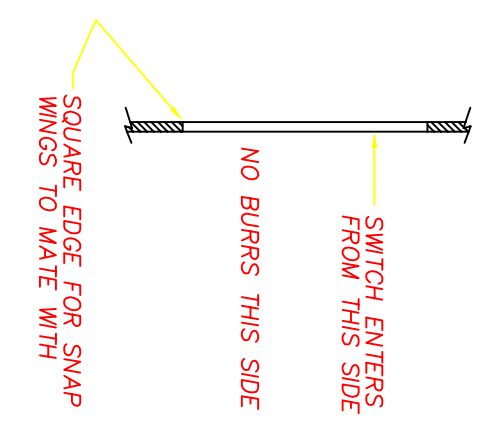
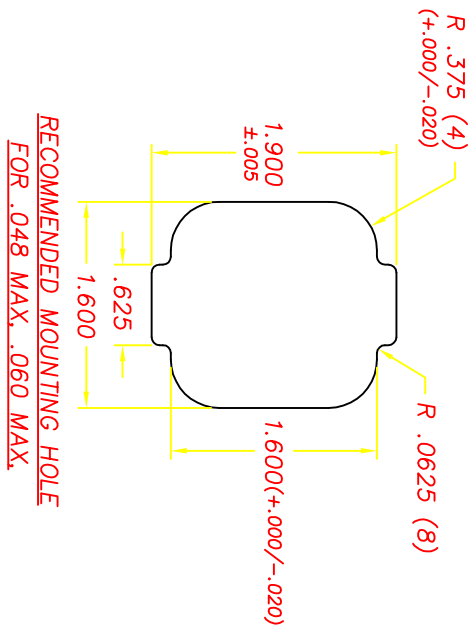
SEE NOTE 3



.03 x .25 MALE TERMINALS (6)
USE PACKARD 56 SERIES FEMALE TERMINALS WITHOUT LOCKING NIBS, OR EQUIVALENT



TERMINAL PATTERN TO MATE WITH PACKARD 5-WAY CONNECTOR P/N 2973422, OR EQUIVALENT



RECOMMENDED MOUNTING HOLE FOR .048 MAX. .060 MAX. .105 MAX. .165 MAX PANELS
(THICKNESS INCLUDES PAINT AND ANY OTHER COVERINGS APPLIED TO PANEL, OTHER PANEL THICKNESSES NOT RECOMMENDED)

NOTES

- 1-DIM'S IN BRACKET [] ARE IN MILLIMETERS; MILLIMETER TOLERANCES ARE .XX. .5, .XX± .15.
- 2-PLASTIC PARTS ARE POLYPROPYLENE (BLACK). TERMINALS ARE BRONZE.
- 3-KEY IS SHIPPED SEPARATELY. MAXIMUM TORQUE FOR KEY IS 20 IN LBS. USE DELTA KEY ONLY. DELTA STEEL KEY PART# 688S-STD.
- 4-SWITCH STYLE STAMPED ON HOUSING.
- 5-DATE CODE INDICATING YEAR, MONTH, AND DAY OF MONTH MANUFACTURED STAMPED ON HOUSING.
- 6-SWITCH ELECTRICAL FUNCTIONALITY TESTED AFTER ASSEMBLY.
- 7-ELECTRICAL RATING, CONTINUOUS: 20A @ 12-14 VDC. ELECTRICAL LIFE: 5K CYCLES @ 10 AMPS INDUCTIVE; 10K CYCLES @ 5 AMPS INDUCTIVE; 50K CYCLES @ 5 AMPS RESISTIVE.
- 8-THIS PRODUCT COVERED BY U.S. PATENT NO. 5252791 OTHER PATENTS APPLIED FOR
- 9-SWITCH SHOULD NEVER BE MOUNTED IN PANEL WITH THE "B" TERMINAL DIRECTLY ABOVE THE "G" TERMINAL, RELATIVE TO GRAVITY. THEREFORE, THIS SWITCH TO BE USED ON HORIZONTAL PANELS ONLY.
- 10-PULL FORCE TO DISLOCATE BACK COVER IS 80 LBS. MINIMUM.
- 11-POSITION 3 IS MOMENTARY.
- 12-ALL OTHER CONTACT COMBINATIONS ARE NOT ALLOWED.

DELTA SYSTEMS, INC. DOES NOT ASSUME ANY LIABILITY ARISING OUT OF THE MISAPPLICATION OF ANY PRODUCT

UNLESS OTHERWISE SPECIFIED DIMENSIONS ARE IN INCHES TOLERANCES ARE:

XXXX	.02	XXXX	.005	ANG	1°
------	-----	------	------	-----	----

COMPUTER GENERATED DRAWING - NO MANUAL CHANGES ALLOWED

DO NOT SCALE DRAWING

DRAWN	DATE
LMM	03/05/98
CHECKED	DATE
JH	03/05/98
MATERIAL	SEE NOTE 2
FINISH	SEE NOTE 2

DELTA SYSTEMS INC.
STREETSBORO, OHIO 44241

TITLE
LAWN & GARDEN
IGNITION SWITCH WITH GRAPHICS

SIZE
FULL

DWG. NO.
6900-36M

PROJECT NO.
EX338

REV
H